

## Meet the Designers



Koncept was born in 2002 when industrial designer Peter Ng and his two sons, Kenneth Ng and Edmund Ng, joined forces in order to harness years of manufacturing and industrial design experience.

The Koncept team has since designed a range of products that have significantly influenced the LED task lighting industry. Their works have been featured in major press such as TIME Magazine, Oprah Magazine and Interior Design Magazine. Koncept has earned over 50 international design awards to date, including the Red Dot Design Award, iF Design Award, and the Good Design Award.

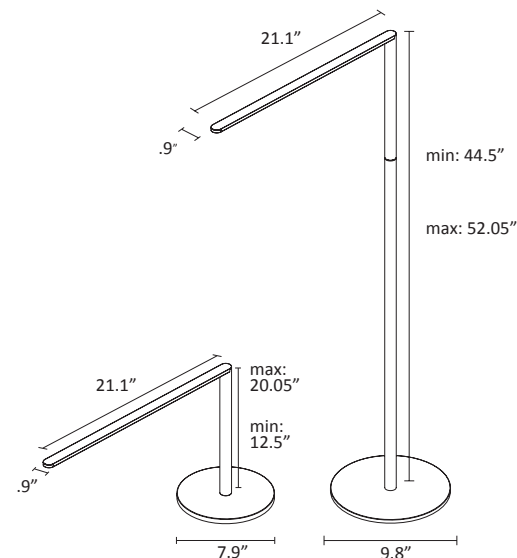
Embracing modern, minimalist lines while maintaining rich functionalities, Koncept's designs strike the perfect balance between form and function.

### Environmental Considerations

- Fully recyclable aluminum
- Water-based paint
- LEDs do not contain mercury
- Low power consumption
- LEED credit eligibility

### Details

- 6.5 watts consumption
- 50,000 hours lifespan
- 2,700 / 4,000 K light color
- Continuous dimming
- 10' cord
- Metallic black / silver / matte white / matte red



KONCEPT

Koncept  
429 E. Huntington Drive, Monrovia, CA 91016  
T 323.261.8999  
F 323.261.8998  
sales@koncept.com

[koncept.com/lady7](http://koncept.com/lady7)

the ultimate minimalist

# Lady7

Good Design Award 2014  
Spark Award 2014  
Interiors & Sources Readers' Choice Award 2014  
iF Design Award 2015

By Kenneth Ng, Edmund Ng  
2014



## Touchstrip control

Simply touch to turn on/off or dim the light



## USB charger

Charge your phone or any USB device with the built-in USB port

## Color temperature

Touch and hold to change the light color between cool and warm. The adjacent built-in touchstrip adjusts brightness

## Height-adjustable

Lamp body swivels and telescopes



## 9 Hour Timer

Enable the Lady7 timer to automatically shut off the light in 9 hours



## Lady7 Floor

Available in both desk and floor models