

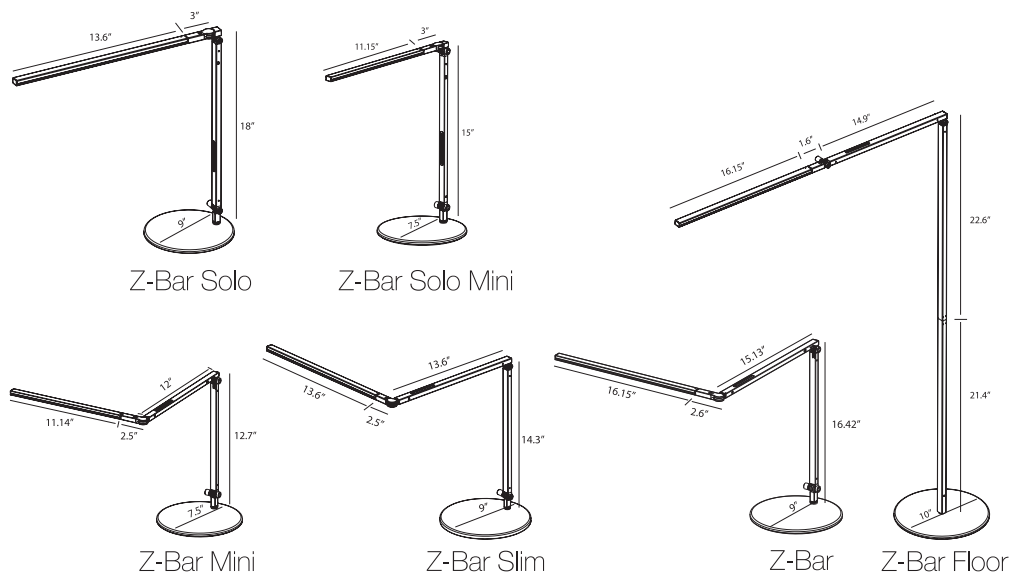
Meet the Designers



Koncept was born in 2002 when industrial designer Peter Ng and his two sons, Kenneth Ng and Edmund Ng, joined forces in order to harness years of manufacturing and industrial design experience.

The Koncept team has since designed a range of products that have significantly influenced the LED task lighting industry. Their works have been featured in major press such as TIME Magazine, Oprah Magazine and Interior Design Magazine. Koncept has earned over 50 international design awards to date, including the Red Dot Design Award, iF Design Award, and the Good Design Award.

Embracing modern, minimalist lines while maintaining rich functionalities, Koncept's designs strike the perfect balance between form and function.



Environmental Considerations

- Fully recyclable aluminum
- Water-based paint
- LEDs do not contain mercury
- Low power consumption
- LEED credit eligibility

Details

- 6.5-9.5 W consumption
- 320-475 lumens
- 50,000 hours lifespan
- 3,500-4,500 K light color
- Continuous dimming
- Various finishes available

KONCEPT

Koncept
429 E. Huntington Dr.
Monrovia, CA 91016
T 323.261.8999
sales@koncept.com

koncept.com/Zbar



a modern lighting icon

Z-Bar

Interior Design Magazine Best of Category 2006
Permanent collection at Die Neue Sammlung, Munich
TIME Magazine Best Invention of the Year 2007

By Peter Ng
2004



Touch & Go

Turn the lamp on/off or dim the light by placing one finger on the touchstrip

Flexibility

The Z-Bar's arms are bendable and the light source is rotatable. Direct the light where you need it

The Z-Bar Family

The Z-Bar collection broke the mold for lamp design and introduced the world to Koncept's contemporary stylings. With several sizes to choose from, there's a Z-Bar for every need



Free Up Desk Space

Z-Bar desk lamps are compatible with a range of mounting options, including wall mounts, desk mounts and through-table mounts

