

Z-Bar Titan floor lamp

Assembly Instructions



For video instructions, or instructions in other languages, please scan the QR code, or visit www.koncept.com/Z-Bar-Titan

1

(A) Upper Lamp body (1)

(B) Head (1)

(C) Lower Lamp body (1)

(D) Base (1)

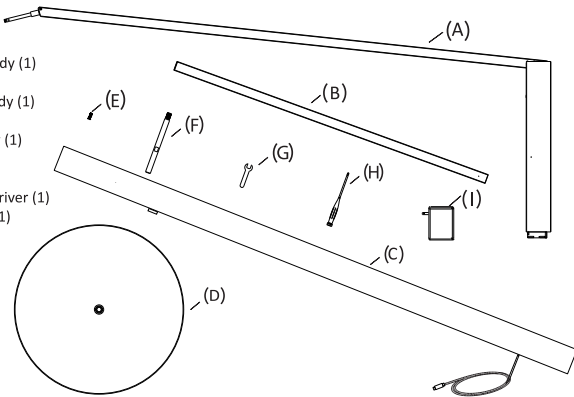
(E) Retaining Screw (1)

(F) Base pin (1)

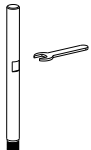
(G) Wrench (1)

(H) Special screw driver (1)

(I) Power adapter (1)

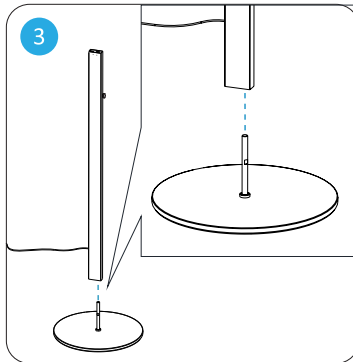


2



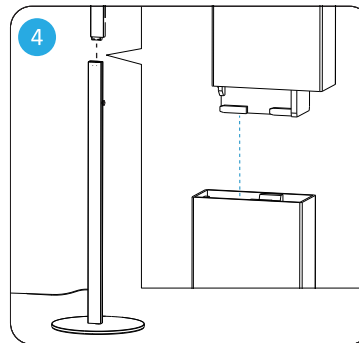
Attach base pin (F) to base (D), using provided wrench (G), turn clockwise until tightened.

3



Insert lower lamp body (C) onto base (D).

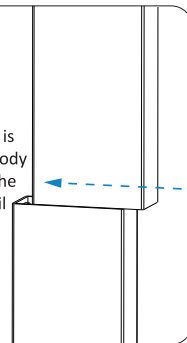
4



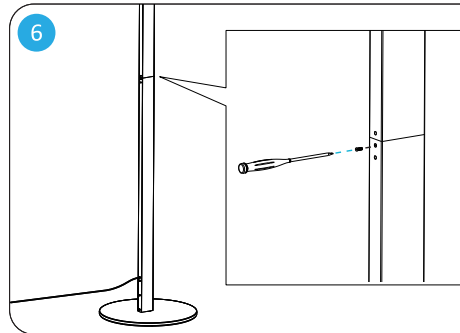
Place lamp body (A) onto lamp body (C).

5

Once upper body (A) is inserted into lower body (B), slide it towards the back of the lamp until it is flush.

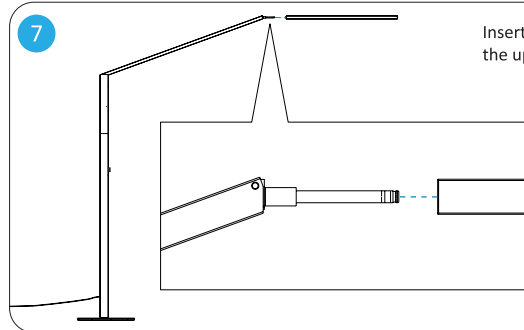


6



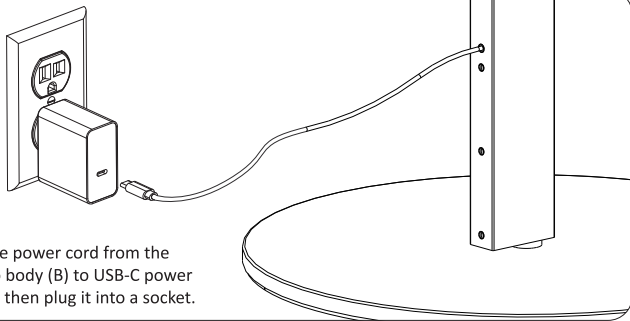
Using the provided special screw driver (H), tighten the retaining screw (E) into the lower body (B) to secure the connection.

7



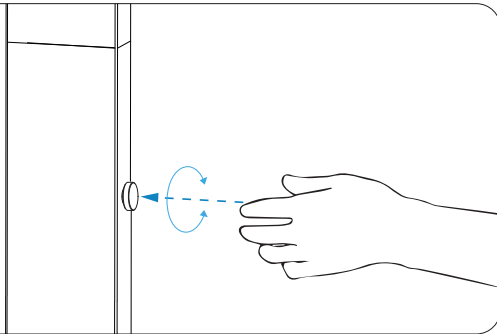
Insert the LED head (B) onto the upper lamp body (A)

8



Connect the power cord from the lower lamp body (B) to USB-C power adapter (I), then plug it into a socket.

9



Press the rotary switch to turn on and off.
Rotate the switch to dim.

Warnings



EN Do not use an external dimmer. Doing so may cause damage to the product. Do not use outdoors.

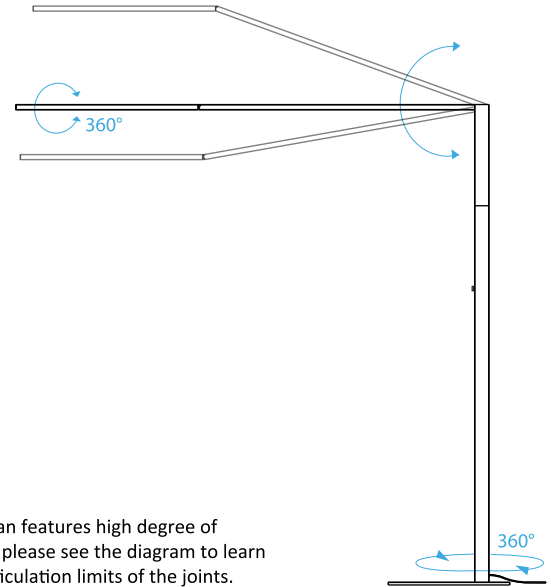
DE Verwenden Sie keinen externen Dimmer. Andernfalls kann das Produkt beschädigt werden. Nicht im Freien verwenden.

FR N'utilisez pas de gradateur externe. Sinon, le produit pourrait être endommagé. Ne pas utiliser à l'extérieur.

ES No utilice un atenuador externo. De lo contrario, el producto podría dañarse. No lo use al aire libre.

IT Non utilizzare un dimmer esterno. In caso contrario, il prodotto potrebbe essere danneggiato. Non usarlo all'aperto.

DK Brug ikke en ekstern lysdæmper. Ellers kan produktet blive beskadiget. Brug den ikke udendørs.



The Z-Bar Titan features high degree of adjustability, please see the diagram to learn about the articulation limits of the joints.

Specifications

Z-bar floor lamp

Model	ZBF6000-???
Light Color	3000K
Dimmer	Rotary switch

Koncept Inc.
429 E. Huntington Drive
Monrovia, CA 91016, USA
Phone: 323-261-8999
Fax: 323-261-8998

Customer Support:
support@koncept.com

Web Address:
www.koncept.com

koncept