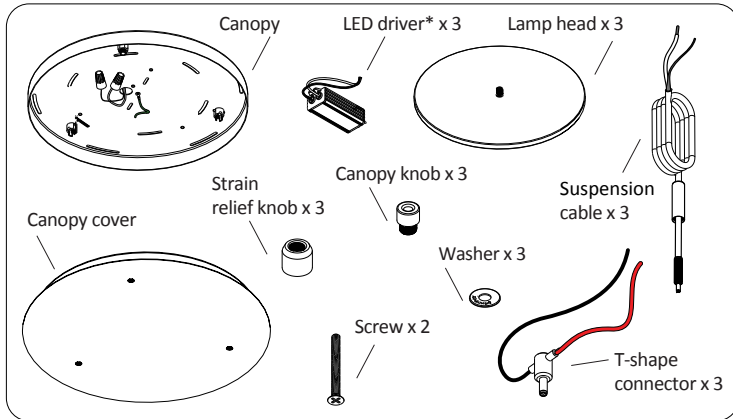


Yurei pendant

Assembly Instructions Suspension mount

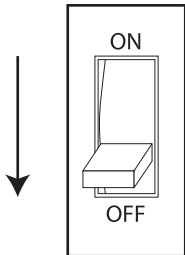


For video instructions, or instructions in other languages, please scan the QR code, or visit www.koncept.com/Yurei



* LED drivers are inside the single unit canopy included with each pendant

1



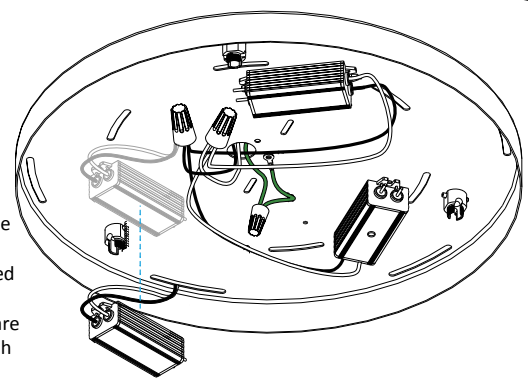
*Your circuit breaker may look different.



Shock Hazard. Electric shock could result in serious injury or death. Make sure circuit breaker is set to OFF before installation. Must be installed by a qualified electrician.

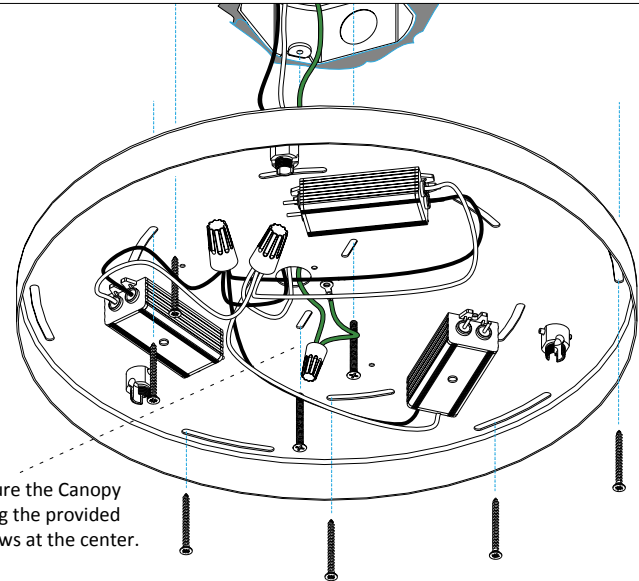
2

Before putting the canopy up, secure the LED drivers to the canopy using provided screws and nuts. Double-sided tapes are supplied to assist with this step.



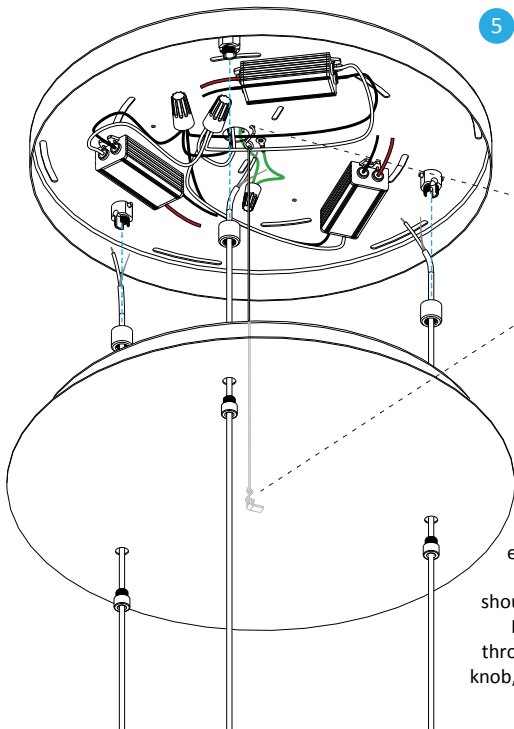
3

Secure the Canopy using the provided screws at the center.

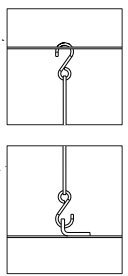


4

Connect all 3 sets of Hot, Neutral and Ground per illustrated and affix LED drivers to the junction box. Further support the canopy by evenly screwing on supporting screws.

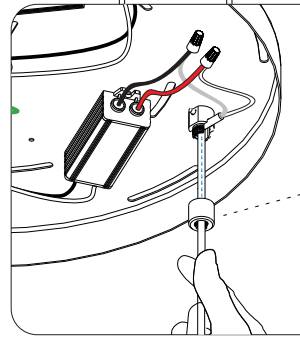


5 For ease of installation, hook on the safety wire to support the canopy cover before performing the rest of the installation.



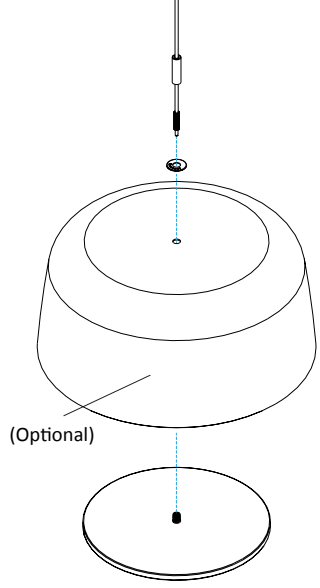
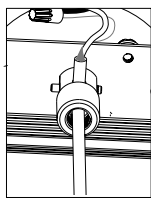
6

Cut the cables (from the top) to desired lengths and splice the cut ends. The core wire (White) and the metallic shielding should be separated as shown. Feed the suspension cables through the screw cap, canopy knob, the canopy cover, and the Strain relief knob.



7

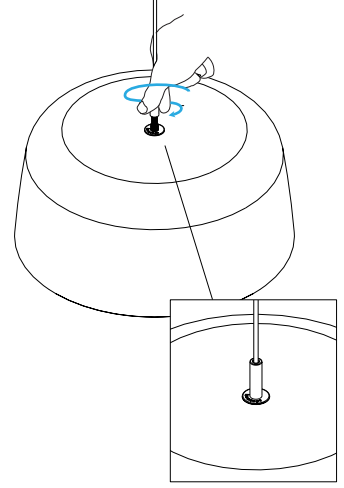
Place the suspension cable into the holding cup, and have the cable exit from the slit on the side. Tighten Strain relief knob to hold it in place. Connect the LED driver output wires to the suspension cable. Connect the red wire to the white core wire. Connect the black wire to the metallic shielding. Repeat on all three cables.



(Optional)

9

Tighten the screw cap to secure the connection to the pendant lamp head.



8

Connect the cable to the pendant head.

Optional: Sandwich a lamp shade in the middle. Place the provided washer on top of the shade (or the lamp head if not using a shade).

Specifications

Yurei pendant (Circular 3)

Model	YUP-C3-SW-???
-------	---------------

Yurei pendant with lamp shade (Circular 3)

Model	YUP-C3-SW-??#+????
-------	--------------------

Koncept Inc.
429 E. Huntington Drive
Monrovia, CA 91016, USA
Phone: 323-261-8999
Fax: 323-261-8998

Customer Support:
support@koncept.com

Web Address:
www.koncept.com

