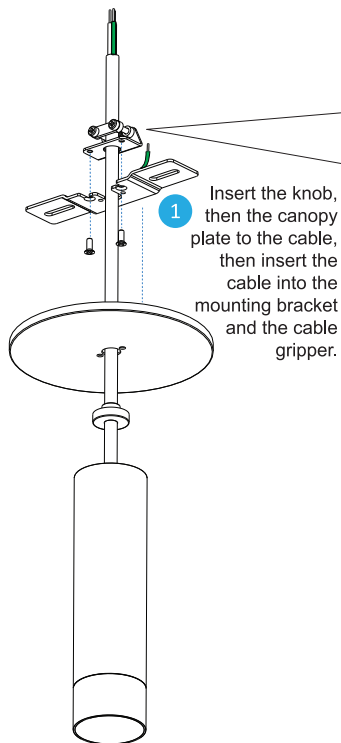


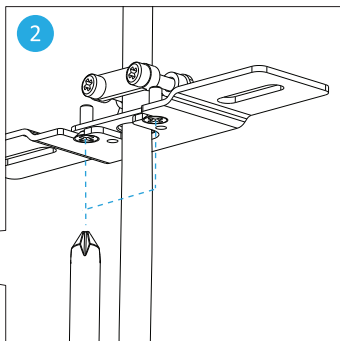
Combi pendant

Assembly Instructions

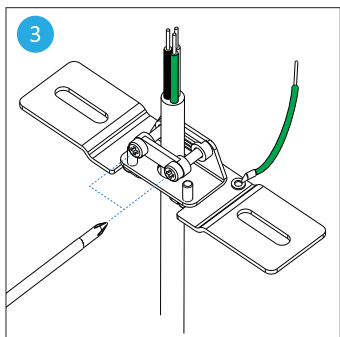
Suspension mount



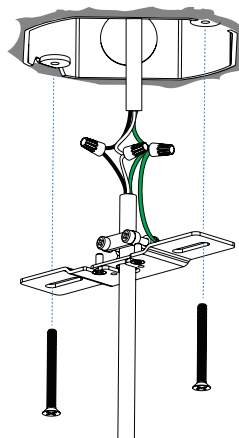
- 1** Insert the knob, then the canopy plate to the cable, then insert the cable into the mounting bracket and the cable gripper.



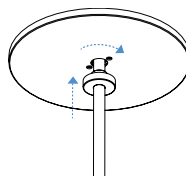
2 Using the two screws from the bag labeled "A", tighten them on the bottom side of the cable gripper to the mounting bracket with a screw driver.



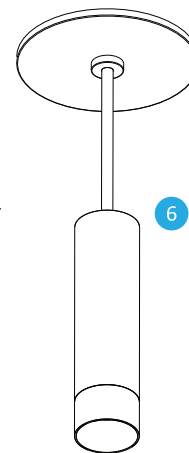
3 Tighten two screws on the bracket to secure the cable.



- 4** Using the provided wire nuts, connect Live (Black) cable to the Live wire from the mains source, and White (Neutral) to the Neutral wire from the mains source, and Ground (Green) to the ground. Using the two long machine screws, secure the mounting plate to the canopy.



- 5** Push up the canopy plate to cover the junction box, then tighten the knob to the mounting bracket through the canopy.

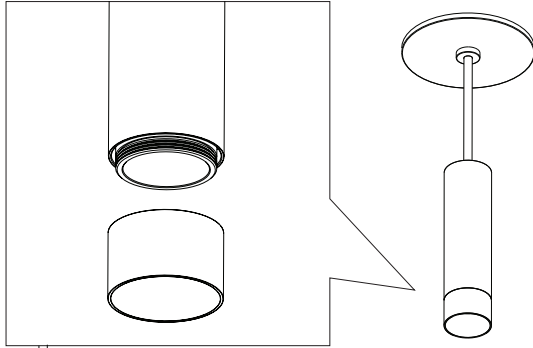


- 6** Installation is finished.

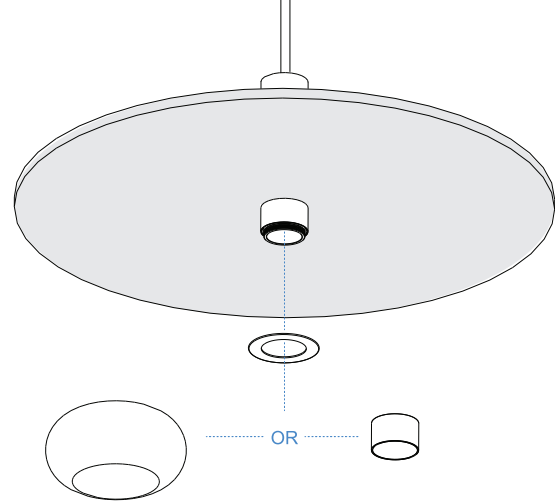
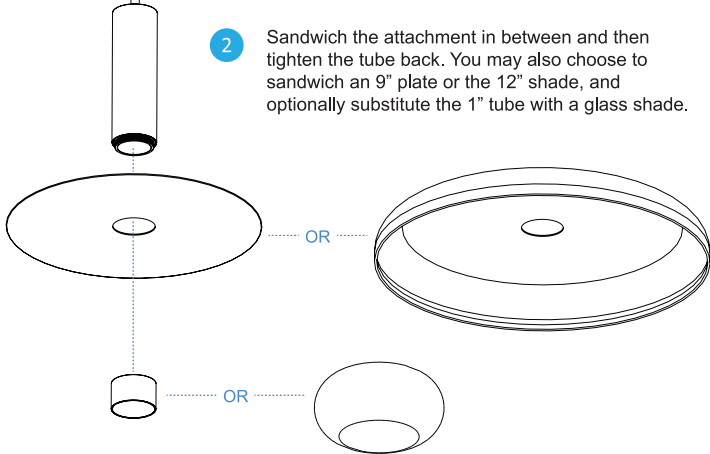
Combi pendant

Assembly Instructions Optional attachments

- 1 Loosen 1" tube attachment from fixture by turning the tube in the counterclockwise direction until it comes loose.



- 2 Sandwich the attachment in between and then tighten the tube back. You may also choose to sandwich an 9" plate or the 12" shade, and optionally substitute the 1" tube with a glass shade.



To install acoustic panel, insert light fixture through the center hole in the acoustic panel first, then sandwich the provided 2" acrylic support plate in between and tighten 1" tube from below. Let the acoustic panel rest on the 2" acrylic support plate. You may optionally substitute the 1" tube with a glass shade.

