

KONCEPT



Desk

Advanced Simplicity

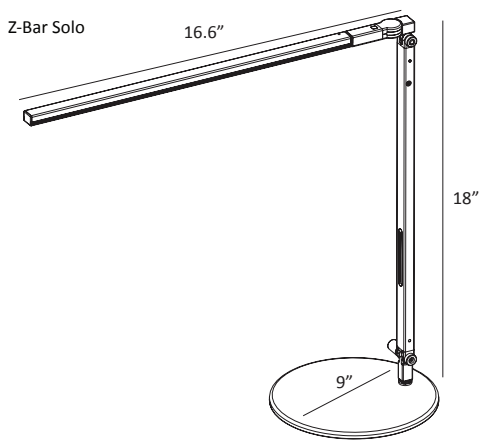
Designer
Peter Ng

Z-Bar Solo

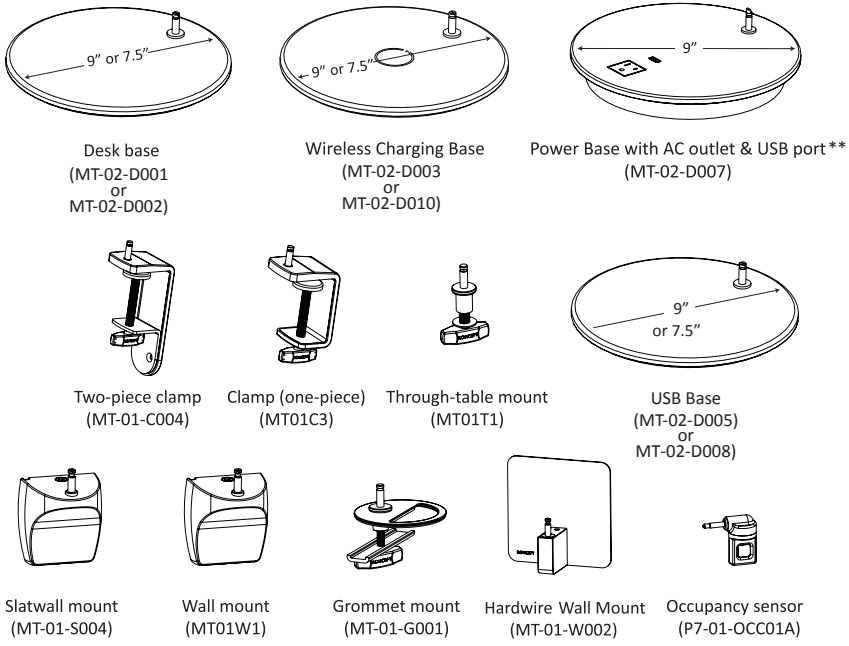
A nod to the original Z-Bar, Z-Bar Solo is a sleek solution to lighting your space. Z-Bar Solo and its smaller counterpart, Z-Bar Solo Mini, offer flexibility, dimming, a choice of warm or cool light temperatures, energy efficiency, multiple mounting options and more, all in a compact design.

	Z-Bar Solo	Z-Bar Solo Mini
Lumens:	400	320
Footcandles:	130	115
Lux:	1399	1238
Energy Consumption:	6 W	5 W
Rated Lifespan:	50,000 hours	
Color Temperature:	Cool (4,500 K) / Warm (3,500 K)	
Color Rendering Index (CRI) :	90	
Brightness Adjustability:	Continuous dimming (touchstrip)	
Material:	Aluminum, plastic	
Occupancy Sensor:	Sold separately	
Safety Rating:	C-UL-US Certified	
Warranty:	5 years	
Voltage:	100-240V	
Standard Finishes:	Metallic Black, Silver	

- AR
- 1000 = Z-Bar Solo
 - 1100 = Z-Bar Solo Mini
 - CD = Cool White Light
 - WD = Warm White Light
 - MBK = Metallic Black
 - SIL = Silver
 - DSK = Desk Base
 - CLP = Clamp (one-piece)
 - 2CL = Two-piece Clamp
 - SLT = Slatwall Mount
 - WAL = Wall Mount
 - GRM = Grommet Mount
 - THR = Through-table Mount
 - QCB = Wireless Charging Base
 - PWD = Power Base**
 - HWS = Hardwire Wall Mount
 - USB = USB base
- ** Z-Bar Solo only



Mounting Options / Accessories*



*Limited finishes available on mounting options/accessories
 ** Z-Bar Solo only

LEED Information

Integrative Process

To support high-performance, cost-effective project outcomes through an early analysis of the interrelationships among systems. Konzept's LED desktop and task lighting provides finer control over lighting levels in occupied spaces. With personal lighting in place, elimination or downsizing of building lighting systems is possible.

Interior Lighting

To promote occupants' productivity, comfort and well-being by providing high-quality lighting. Konzept's portable task lighting products provide more than three lighting levels that occupants can easily adjust to suit their needs. Furthermore, all Konzept lighting products use high quality LED light sources with CRI over 80 and L70 rated lifespan over 50,000 hours. Desktop and task personal lighting also provide the opportunity to reduce overhead lighting.

Photometrics: Light source placed 15" away from work surface

