

KONCEPT



Dynamic. Efficient. Flexible.

Splitty

The Splitty family boasts a wide range of flexible task lights. The original Splitty, available as a desk or floor lamp, delivers maximum functionality. A USB port is located in the lower body for convenient charging options. Splitty Reach features a double arm, offering even more flexibility. There are multiple mounting options for the desk lamps, including wall mounts, desk clamps and wireless charging bases. Splitty Pro and Splitty Reach Pro each feature a 2 amp USB port and built-in occupancy sensor to maximize energy efficiency.

Designers
Kenneth Ng, Edmund Ng

Red Dot Design Award 2018
iF Design Award 2018
Best of NeoCon GOLD 2017
Interior Design Best of Year Honoree 2017

Desk

Floor

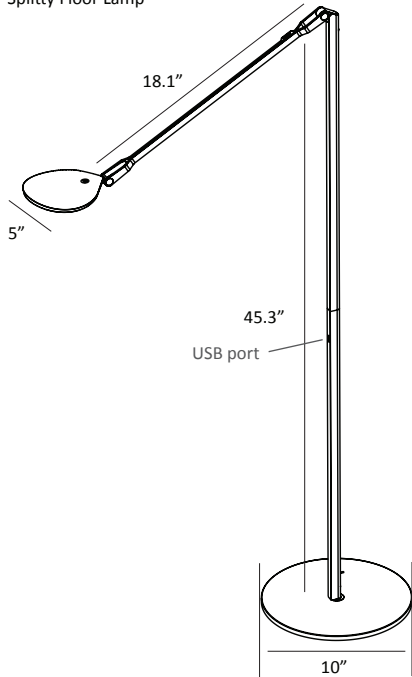
Lumens: 500
 Footcandles: 117
 Lux: 1259
 Energy Consumption: 5.8 W
 Rated Lifespan: 50,000 hours
 Color Temperature: Warm (3,500 K)
 Color Rendering Index (CRI) : 82
 Brightness Adjustability: Continuous dimming
 Material: Aluminum, plastic
 USB port: Built-in; 1A (Splitty, Splitty Reach, Splitty Floor) / 2A (Splitty Pro, Splitty Reach Pro)
 Occupancy Sensor: Built-in (Splitty Pro, Splitty Reach Pro only)
 Safety Rating: C-UL-US Certified
 Voltage: 120V
 Standard Finishes: Silver, Matte Black, Matte White**, Matte Grey*, Matte Pacific Blue*, Matte Leaf Green*, Matte Orange*

*Finish not available for Splitty Pro, Splitty Reach or Splitty Reach Pro
 **Finish not available for Splitty Reach Pro
 ***Splitty Pro, Splitty Reach or Splitty Reach Pro not available as a floor lamp

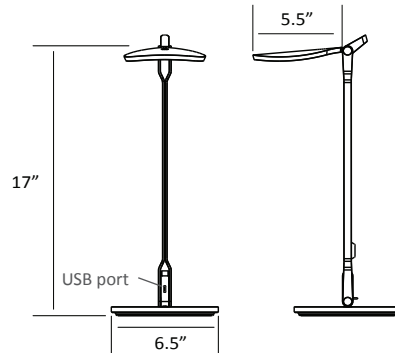
SPY - W - - - -

- SIL = Silver
 - MTB = Matte Black
 - MGY = Matte Grey*
 - MPB = Matte Pacific Blue*
 - MLG = Matte Leaf Green*
 - MWT = Matte White**
 - MOR = Matte Orange*
- DSK = Standard desk base
 - FLR = Standard floor version***
 - CLP = Clamp
 - 2CL = Two-piece clamp
 - SLT = Slatwall mount
 - WAL = Wall mount
 - THR = Through table mount
 - GRM = Grommet mount
 - HWS = Hardwired wall mount
 - QCB = Wireless Charging Base
- USB = Splitty
 - PRO = Splitty Pro
 - RCH = Splitty Reach
 - RCP = Splitty Reach Pro

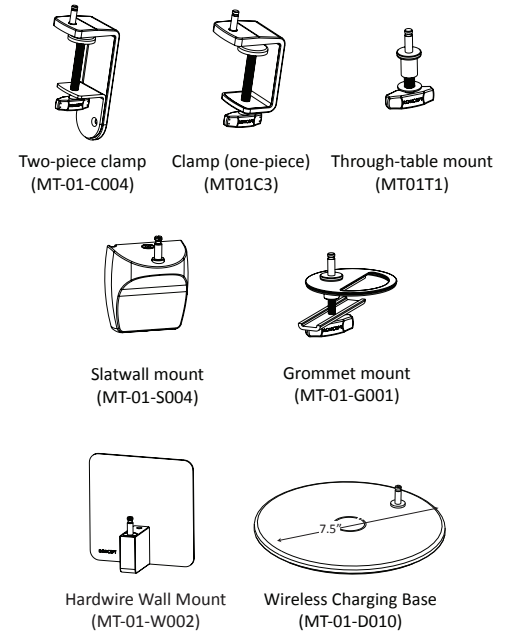
Splitty Floor Lamp



Splitty/Splitty Pro Desk Lamps

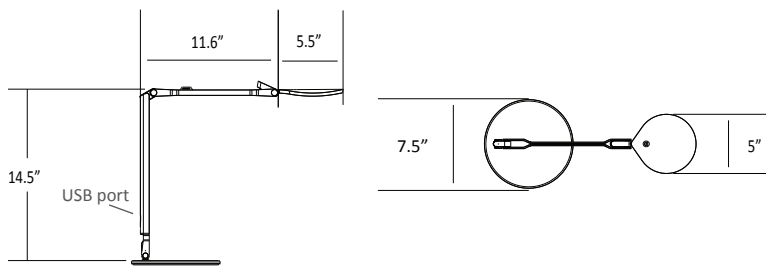


Mounting Options for all Splitty series desk lamps***

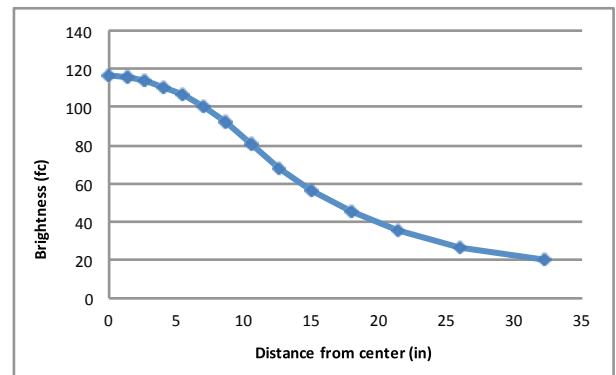


***Limited finishes available on mounting options.
 Visit koncept.com/splitty for more information.

Splitty Reach/Splitty Reach Pro Desk Lamps



Photometrics: Light source placed 15" away from work surface



LEED Information

Integrative Process

To support high-performance, cost-effective project outcomes through an early analysis of the interrelationships among systems. Concept's LED desktop and task lighting provides finer control over lighting levels in occupied spaces. With personal lighting in place, elimination or downsizing of building lighting systems is possible.

Interior Lighting

To promote occupants' productivity, comfort and well-being by providing high-quality lighting. Concept's portable task lighting products provide more than three lighting levels that occupants can easily adjust to suit their needs. Furthermore, all Koncept lighting products use high quality LED light sources with CRI over 80 and L70 rated lifespan over 50,000 hours. Desktop and task personal lighting also provide the opportunity to reduce overhead lighting.