

Endless Possibilities

# mosso pro

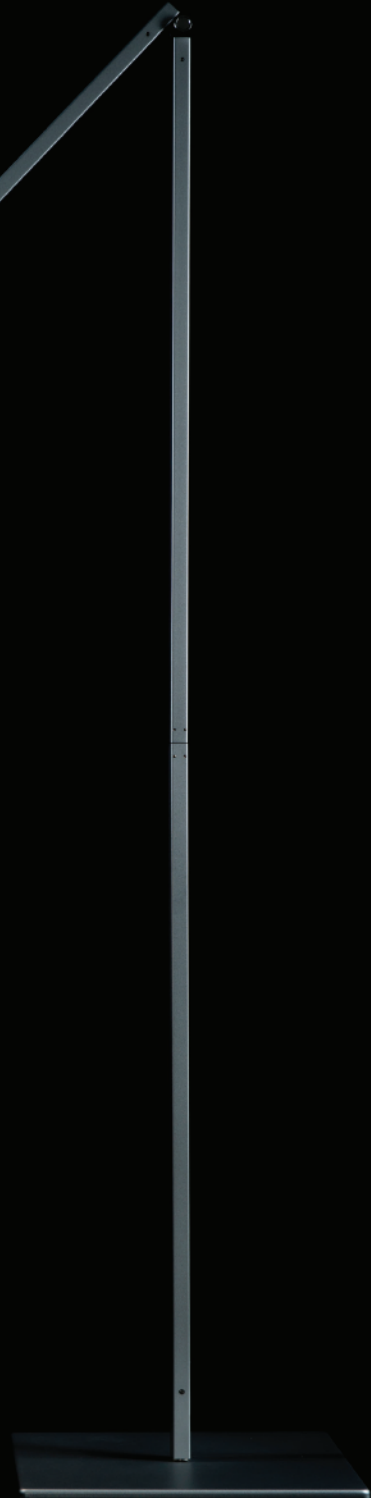
Available as a floor lamp or desk lamp, Mosso Pro delivers a phenomenal 99 lumens per watt efficiency. Change light temperature from warm to cool and anything in between. An intuitive built-in touchstrip allows for effortless dimming. A built-in occupancy sensor ensures no energy is wasted lighting up an empty space. Mosso Pro Floor features a USB port on the lower body, and Mosso Pro Desk comes standard with a USB charging base. A wireless charging base is also available for Qi-compatible devices.

2013 Best of NeoCon GOLD

2014 Next Generation Luminaires "Best in Class"

*Designers*

Peter Ng, Kenneth Ng & Edmund Ng

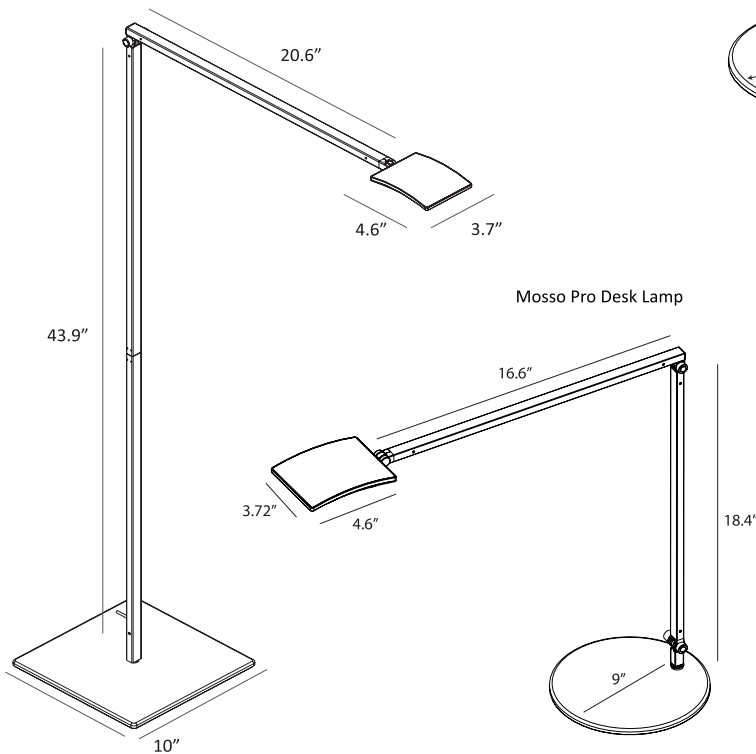


Lumens: 540  
 Footcandles: 103  
 Lux: 1108  
 Energy Consumption: 5.5 W  
 Rated Lifespan: 50,000 hours  
 Color Temperature: Variable from 2,700 to 5,000 K  
 Color Rendering Index (CRI) : Mosso Pro Desk: 90 / Mosso Pro Floor: 83  
 Brightness Adjustability: Continuous dimming  
 Material: Aluminum, plastic  
 USB port: Built-in (on Mosso Pro Floor and Mosso Pro Desk with standard base), 1A  
 Occupancy Sensor: Built-in  
 Safety Rating: C-UL-US Certified  
 Warranty: 5 years  
 Voltage: 100-240 V  
 Standard Finishes: Metallic Black, Silver, White

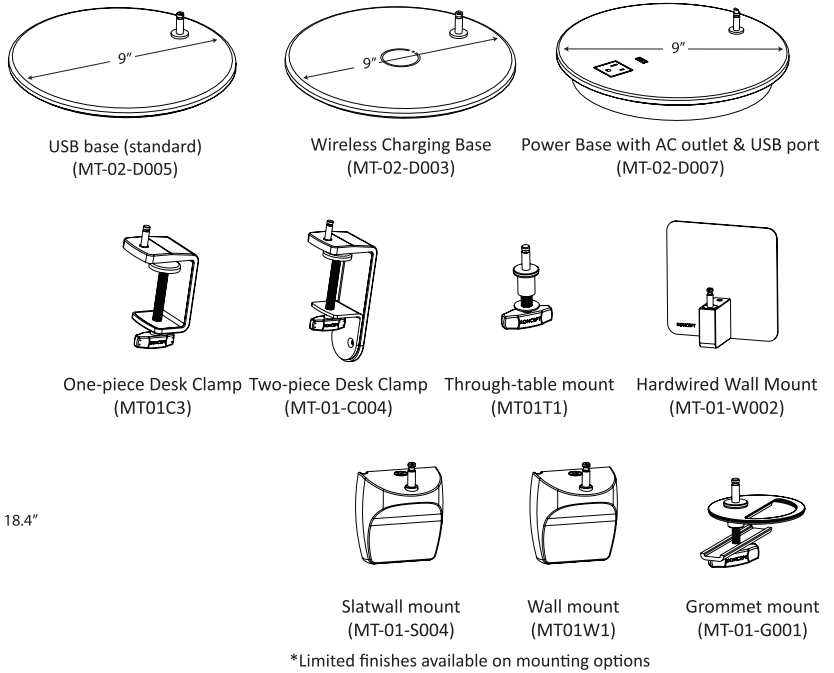
AR2001- - - - -

- MBK = Metallic Black
- SIL = Silver
- WHT = White
- USB = USB Desk Base
- QCB = Wireless Charging Base
- PWD = Power Base
- CLP = One-piece Desk Clamp
- 2CL = Two-piece Desk Clamp
- THR = Through-table Mount
- HWS = Hardwire Wall Mount
- SLT = Slatwall Mount
- WAL = Wall Mount
- GRM = Grommet Mount
- FLR = Floor Lamp

Mosso Pro Floor Lamp



Desk Lamp Mounting Options\*



Potential LEED Points

**Integrative Process** (Possible 2 points)  
 To support high-performance, cost-effective project outcomes through an early analysis of the interrelationships among systems.  
 Konzept's LED desktop and task lighting provides finer control over lighting levels in occupied spaces. With personal lighting in place, elimination or downsizing of building lighting systems is possible.

**Interior Lighting** (Possible 2 points)  
 To promote occupants' productivity, comfort and well-being by providing high-quality lighting.  
 All Konzept's task lighting products provide more than three lighting levels that are easily adjustable by occupants to suit their needs. Furthermore, all Konzept's task lighting products use high quality LED light sources with CRI over 80 and L70 rated lifespan over 50,000 hours. Desktop and task personal lighting also provides the opportunity to reduce overhead lighting.

Photometrics: Light source placed 15" away from surface

