

## Meet the Designers



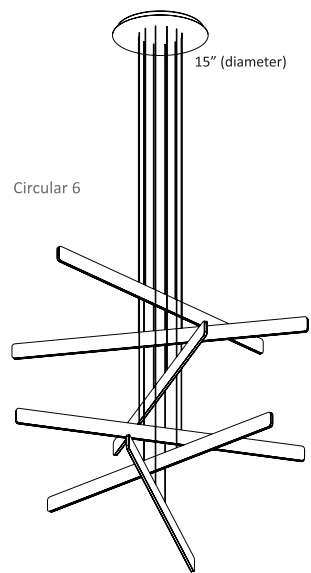
Koncept was born in 2002 when industrial designer Peter Ng and his two sons, Kenneth Ng and Edmund Ng, joined forces in order to harness years of manufacturing and industrial design experience.

The Koncept team has since designed a range of products that have significantly influenced the LED task lighting industry. Their works have been featured in major press such as TIME Magazine, Oprah Magazine and Interior Design Magazine. Koncept has earned over 50 international design awards to date, including the Red Dot Design Award, iF Design Award, and the Good Design Award.

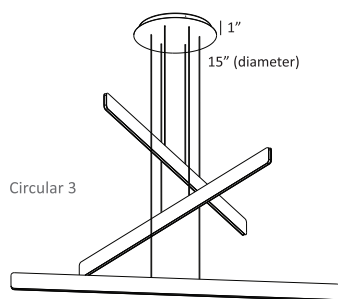
Embracing modern, minimalist lines while maintaining rich functionalities, Koncept's designs strike the perfect balance between form and function.

## Details

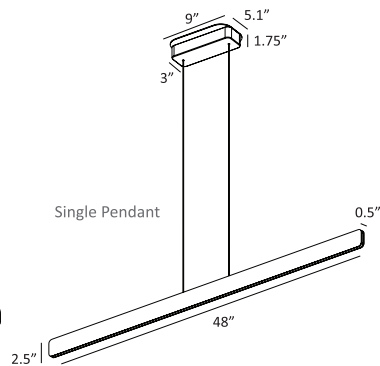
2000 lumens per pendant  
48 W per pendant  
50,000 hours lifespan  
3,000 K light color  
Compatible with ELV wall dimmers  
Continuous dimming  
Matte Black, Silver



Circular 6



Circular 3



Single Pendant

[koncept.com/Sub](http://koncept.com/Sub)

## Environmental Considerations

Water-based paint  
LEDs do not contain mercury  
Low power consumption  
LEED credit eligibility

KONCEPT

Koncept  
429 E. Huntington Drive, Monrovia, CA 91016  
T 323.261.8999  
F 323.261.8998  
sales@koncept.com

360° of luminosity

# SUB

pendant light

By Kenneth Ng, Edmund Ng  
2018

Red Dot Design Award 2019



## Thoughtful Simplicity

Sub Pendant is available as a single pendant or circular configuration of 3 or 6 lights.



## 360° of Sophistication

A continuous line of light wraps 360° around the attractive metal housing of each pendant. This housing is available in two timeless finishes.



## Minimalism in Every Respect

The Sub complements rather than obstructs the aesthetic of its surroundings. The almost-invisible support system is conducive to an uninterrupted visual flow.



## Light For All

Sub can illuminate a variety of interiors, from kitchens to offices to hotel lobbies.