

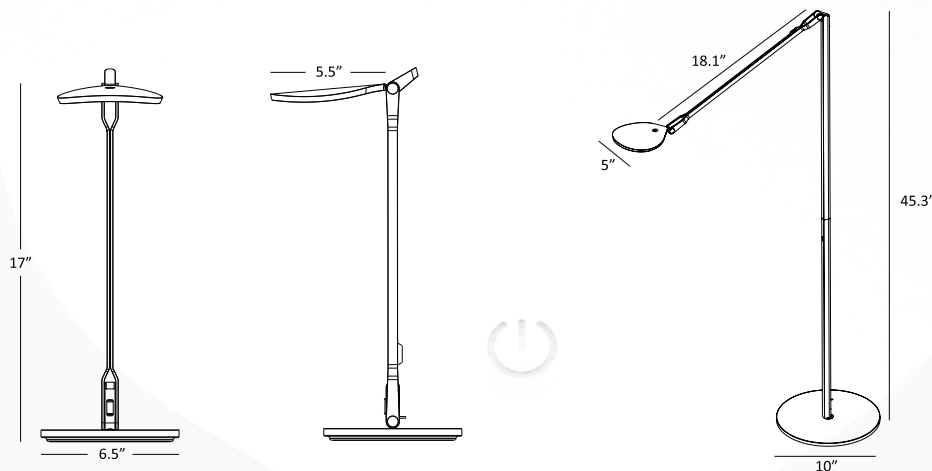
Meet the Designers



Koncept was born in 2002 when industrial designer Peter Ng and his two sons, Kenneth Ng and Edmund Ng, joined forces in order to harness years of manufacturing and industrial design experience.

The Koncept team has since designed a range of products that have significantly influenced the LED task lighting industry. Their works have been featured in major press such as TIME Magazine, Oprah Magazine and Interior Design Magazine. Koncept has earned over 50 international design awards to date, including the Red Dot Design Award, iF Design Award and the Good Design Award.

Embracing modern, minimalist lines while maintaining rich functionalities, Koncept's designs strike the perfect balance between form and function.



Details

Splitty

USB: 5V 1A
7 finishes
85 CRI

Splitty Pro

USB: 5V 2A
Black/Silver
85 CRI
Occupancy sensor
5.8 W consumption
500 lumens
50,000 hours lifespan
3,500 K light color
Continuous dimming
10' cord

Splitty Floor

USB port: 5V 1A
7 finishes
82 CRI

Various mounting options available

Environmental Considerations

Fully recyclable aluminum
Water-based paint
LEDs do not contain mercury
Low power consumption

KONCEPT

Koncept
429 E. Huntington Drive, Monrovia, CA 91016
T 323.261.8999
F 323.261.8998
sales@koncept.com

koncept.com/Splitty

Dynamic. Sleek. Efficient. Flexible.

splitty

By Kenneth Ng, Edmund Ng
2017

Red Dot Design Award 2018
iF Design Award 2018
Interior Design Best of Year Honoree 2017
Best of Neocon Gold 2017



Flex your Power

Splitty works with you to shine light wherever you need it. The incredibly flexible design boasts high degrees of freedom: you'll never be left in the dark.

Pro offers More

Splitty Pro features a built-in occupancy sensor and a 2 amp USB port



Soft Glow

Beautiful, soft light emits from Splitty Desk Lamp, Splitty Pro and Splitty Floor Lamp. There are never any hot spots or shadow breaks thanks to the fully-diffused LED head.



Clutter-Free Spaces

Splitty Desk Lamp is not bound to the table. Keep desk space open with an optional wall mount or desk clamp.



Convenient

Need a charge? A USB port is discreetly embedded in the lower body of each version of Splitty.

