

GRAVY

wall sconce



Spark Awards 2015 Gold Winner
iF Design Award 2016

Designers
Kenneth Ng & Edmund Ng

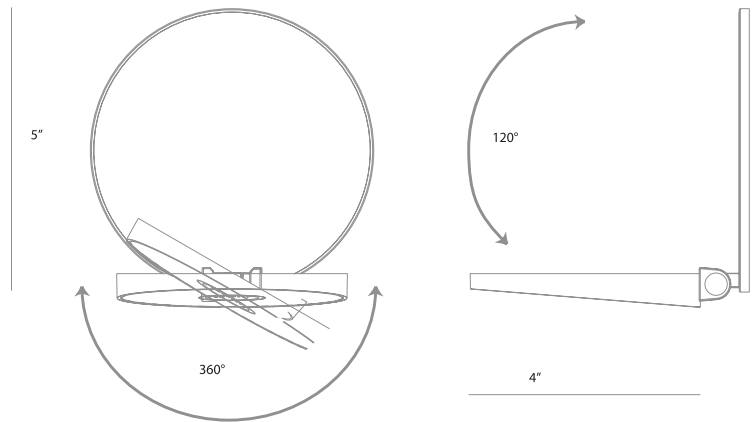
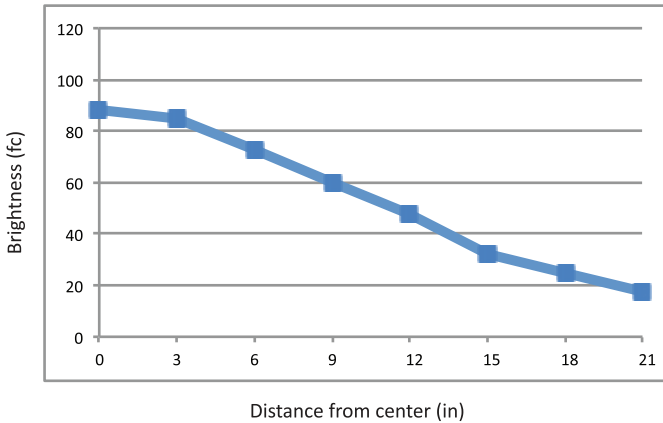
The Gravy Wall Sconce is a playful, customizable and highly functional piece. Gravy's swiveling head rotates 360 degrees. It can bend forward for use as an ambient light or downward as a task light. The light can be operated by a wall switch or by touching the center of the LED head and holding it to dim. Choose between plug-in or hardwire versions to fit your mounting capabilities. The magnetically attached surface plates are interchangeable, enabling users to select painted finishes, wood veneers or fabric to match their interior space.

Lumens: 350
 Energy Consumption: 5.5 Watts
 Rated Lifespan: 50,000 hours
 Color Temperature: 2,700K
 Color Rendering Index (CRI) : PI = 83, HW = 94
 Wall Switch (hardwired): Compatible with any ELV wall dimmer
 Driver input: Hardwired = 120VAC
 Plugged in = 100-240VAC
 Dimmer: Built-in touch dimmer switch
 Brightness Adjustability: Continuous Dimming
 Standard Finishes: Matte White, Silver, Chrome, Metallic Black, Oiled Walnut, White Oak, Matte Orange, Matte Red, Matte Yellow, Matte Hot Pink, Matte Blue, Matte Green, Oxford Felt, Honeydew Felt, Azure Felt
 Material: Zinc alloy, plastic
 California Title 24
 C-UL-US Certified

GRW-S-

- MWT = Matte White
 - SIL = Silver
 - CRM = Chrome
 - MBK = Metallic Black
-
- MWT = Matte White
 - SIL = Silver
 - CRM = Chrome
 - MBK = Metallic Black
 - OWT = Oiled Walnut
 - WOK = White Oak
 - MOR = Matte Orange
 - MRD = Matte Red
 - MYW = Matte Yellow
 - MHP = Matte Hot Pink
 - MBL = Matte Blue
 - MGN = Matte Green
 - OXF = Oxford (Felt)
 - HDF = Honeydew (Felt)
 - AZF = Azure (Felt)
-
- HW = Hardwired
 - PI = Plug in

Light source placed at 15" away from worksurface



Potential LEED Points

Integrative Process (Possible 2 points)

To support high-performance, cost-effective project outcomes through an early analysis of the interrelationships among systems. Konzept's LED desktop and task lighting provides finer control over lighting levels in occupied spaces. With personal lighting in place, elimination or downsizing of building lighting systems is possible.

Interior Lighting (Possible 2 points)

To promote occupants' productivity, comfort and well-being by providing high-quality lighting. All Konzept's task lighting products provide more than three lighting levels that are easily adjustable by occupants to suit their needs. Furthermore, all Konzept's task lighting products use high quality LED light sources with CRI over 80 and L70 rated lifespan over 50,000 hours. Desktop and task personal lighting also provides the opportunity to reduce overhead lighting.