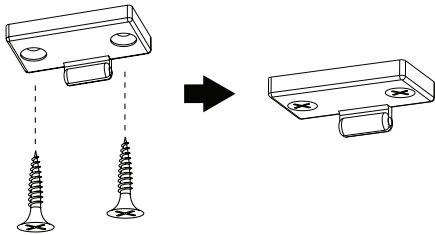


Assembly Instructions

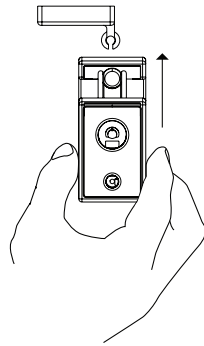
The undercabinet light can be mounted on a wood or steel surface.

Wood surface

- 1 Secure the mounts to the surface using provided screws.

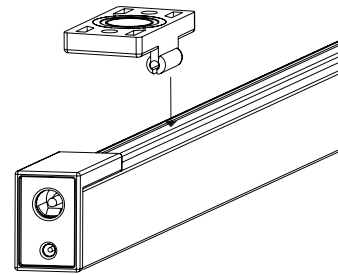


- 2 Snap-fit the light to the mounts.

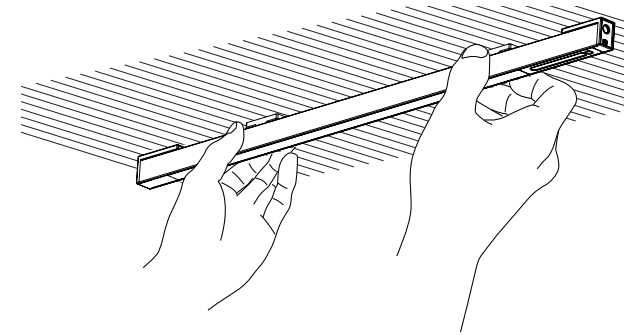


Steel surface

- 1 Snap-fit the mounts to the groove on the back of the light.



- 2 Attach to a steel surface.

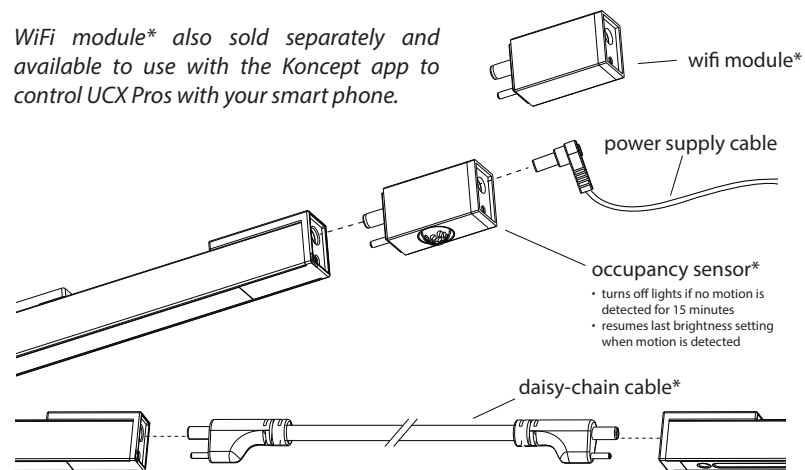


OR

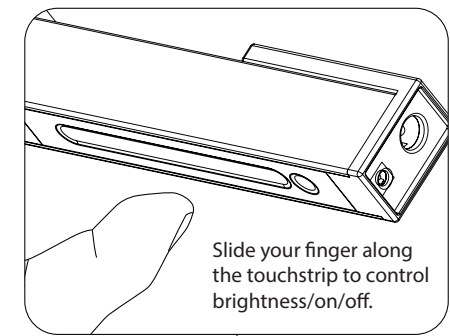
- 3 After the light is mounted, plug the power supply into the large socket at either end of the light.

Sold separately: Plug a daisy-chain cable into the other end to power additional units. (Requires a power supply of sufficient power output.) Plug in an occupancy sensor* into the small socket at either end to automatically shut off the light(s) when not in use. (Occupancy sensor only works with UCX Pro units in GROUP mode)*

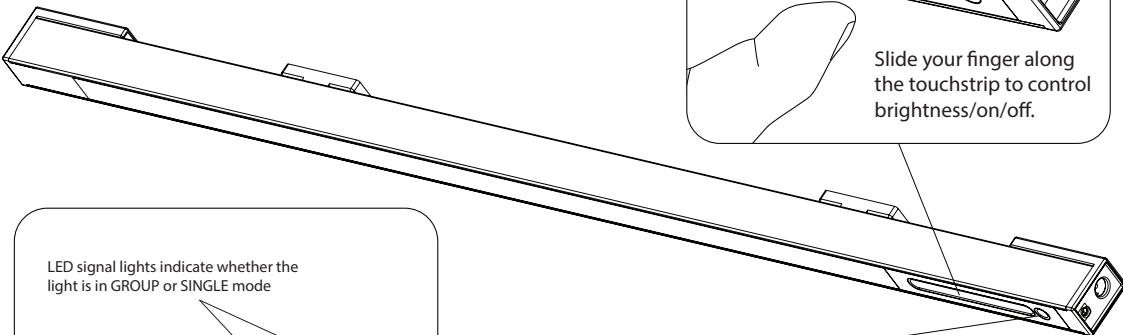
WiFi module also sold separately and available to use with the Koncept app to control UCX Pros with your smart phone.*



*sold separately



Slide your finger along the touchstrip to control brightness/on/off.



LED signal lights indicate whether the light is in GROUP or SINGLE mode

When OFF:	Touch and hold the MODE button to switch between GROUP or SINGLE mode
When ON:	Hold to switch between Warm/Cool

GROUP mode: Sync'ed brightness levels and light color with all connected UCX Pros. Controllable by occupancy sensor or WiFi module.
SINGLE mode: Independent of any connected UCX Pros or sensors.

UCX PRO LED UNDERCABINET LIGHT
 USER MANUAL

UCX PRO LED UNDERCABINET LIGHT

Five Year Limited Product Warranty

Koncept warrants to the original purchaser of this product against manufacturer defects in design, assembly, material, or workmanship, and will, at Koncept’s option, replace or repair any defective product free of charge. This coverage is valid for five years from the date of purchase as long as the original purchaser owns the product. Koncept will replace or repair the product, which Koncept, at its sole discretion, agrees is defective, free of charge provided that the following conditions for a return are fulfilled.

This warranty does not apply to any product damaged by accident, physical or electrical misuse or abuse, improper installation, alteration, any use contrary to its intended function, war, fire, flood, or any other acts of nature, or unauthorized repair.

Koncept assumes no liability for any events such as fines arising out of the use of this product or any consequential damages caused by any failure of the product to function properly. Under no circumstances should this warranty or the product covered by it be construed as an insurance policy against loss of any kind. Koncept staff neither assumes nor authorizes any person or organization to make any warranties or assume any liability in connection with the sale or use of this product. This warranty covers only products used in the 50 US states and/or Canada. This is the complete UCX Pro Undercabinet Light series warranty and no other warranty exists. Some jurisdictions may not allow limitations on how long an implied warranty lasts, or the exclusion or limitation of incidental or consequential damages, so the above exclusions or limitations may not apply to you. This warranty gives you specific legal rights, and you may also have other rights which vary in different states and countries.

To file a replacement/repair claim under the warranty:

- 1) Contact Koncept for a return authorization number during the warranty period. A claim will not be accepted without a return authorization number
- 2) Make a copy of the original purchase receipt with purchase date and product name clearly shown
- 3) Provide original purchaser’s full name, email address (optional), daytime phone, and postal address
- 4) Return the defective product to Koncept freight prepaid and accompanied by (1), (2), and (3) to the following address:

Limited Product Warranty
 Koncept Inc.
 429 E. Huntington Drive, Monrovia, CA 91016

Register your Koncept LED lamp online and receive:

- One Year Warranty Extension (your lamp will be warrantied for six full years)
- Priority Product Servicing

Visit www.koncept.com/productsupport and enter your product’s registration number:

Warnings



WARNING: TO REDUCE THE RISK OF FIRE, ELECTRIC SHOCK, OR INJURY:

- Do not use outdoors or near water
- Do not handle plug or appliance with wet hands
- Do not stare directly at the LEDs



DO NOT USE AN EXTERNAL DIMMER WITH THIS LAMP. DOING SO MAY CAUSE DAMAGE TO THE PRODUCT.



OVERHEATING MAY RESULT IN REDUCED LED LIFESPAN. TO AVOID OVERHEATING:

- Keep out of direct sunlight
- Remove plastic bag from lamp before use
- Recommended ambient temperature: under 77 °F

Specifications

Model	UCX-__
Light Color	Soft White to Daylight White
Color Temperature	2,700 K - 5,000 K
Brightness Adjustability	built-in touchstrip

Maximum daisy-chained units supported:

Model	UCX-19	UCX-27	UCX-37
24V 1A transformer*	2 units	1 unit	1 unit
24V 2A transformer	4 units	3 units	2 units

*standard transformer provided

Power consumption:

Model	UCX-19	UCX-27	UCX-37
System Power	10.5 W	15.5 W	22.5 W
Luminaire Wattage	8.64 W	13 W	18.7 W

Koncept Inc.
 429 E. Huntington Drive
 Monrovia, CA 91016
 Phone: 323.261.8999
 Fax: 323.261.8998

Customer Support:
support@koncept.com

Web Address:
www.koncept.com