



Desk

Streamlined Flexibility

# Z-Bar solo desk lamp

The Z-Bar Solo Desk Lamp enjoys all the improvements of the Z-Bar Gen 4 (slimmer profile, cleaner joints, improved optics, increased brightness and greater flexibility), but packed into a compact design. Despite its simplified appearance, it retains all functionality, such as dimmability and rotation. Z-Bar Solo “Pro” packs in three bonus features: an occupancy sensor, a USB-C charging port and tunable light temperature (from 2,700K warm to 5,000K cool white light ).

Designers

Peter Ng, Kenneth Ng, Edmund Ng

Red Dot Design Award 2021

iF Design Award 2021

Best of NeoCon SILVER 2021

Interior Design Magazine's Best of Category 2006\*

Permanent display at Die Neue Sammlung, Munich\*

TIME Magazine's Best Inventions of the Year 2007\*

\*Awards won with previous Z-bar generations

## Mounting Options

The Z-Bar Desk Lamp was designed to encompass a minimal footprint. Koncept designers amplified this idea by ensuring that the lamp is compatible with a variety of Koncept's mounting options. When users incorporate desk clamps, grommet mounts and hardwire wall mounts, they automatically create more desk space. The lamp's power cord is barely visible with these mounts. The Qi base provides quick and easy charging for compatible phones. Users can simply place their phone on the base, and the device will automatically begin charging.



Hardwire Wall Mount



Desk Base (standard)



Wireless Charging Qi Base



Two-piece Clamp



Grommet Mount



Wall Mount



Slatwall Mount



Through-table Mount



The "Pro" version of each desk lamp model comes with an occupancy sensor and USB-C port for charging compatible devices. It also allows users to choose and adjust their color temperatures (from 2,700-5,000 K) to coincide with their circadian rhythms.

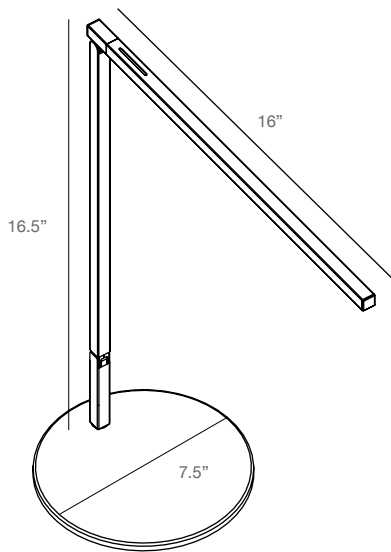


The optional wireless charging base is powered by the USB-C port on the Pro version Z-Bar lamp. Wireless charging bases are compatible with Pro version Z-bar only.

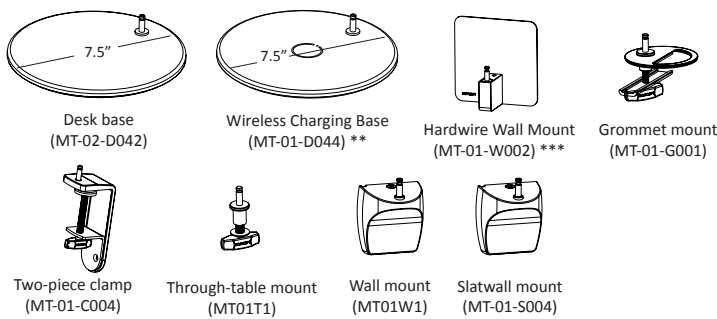
# Technical Information

	Z-Bar Solo	Z-Bar Solo Pro
Occupancy Sensor:	N/A	Built-in
USB-C port:	N/A	Built-in
Color Temperature:	3,500K (W) or 5,000K (D)	2,700K (S) - 5000K (D)
Lumens:	888	816 (S) / 971 (D)
Footcandles @ 15":	169 (W) / 189 (D)	206
Energy Consumption:	8.8 W	10.1 W
Standard Finishes:	Matte Black, Silver, Matte White	Matte Black, Silver
L-90 Rated Lifespan:	60,000 hours	
Color Rendering Index:	90+	
Brightness Adjustability:	Continuous dimming (touchstrip)	
Material:	Aluminum, plastic	
Safety Rating:	C-UL-US Certified	
Warranty:	5 years (U.S. & Canada). <i>For international regions, consult local distributor.</i>	
Voltage:	100-240V	

## Dimensions



### Mounting Options/Accessories\*



\*Limited finishes available on mounting options  
 \*\* Not available for standard model  
 \*\*\* Not available for Pro model

## LEED Information

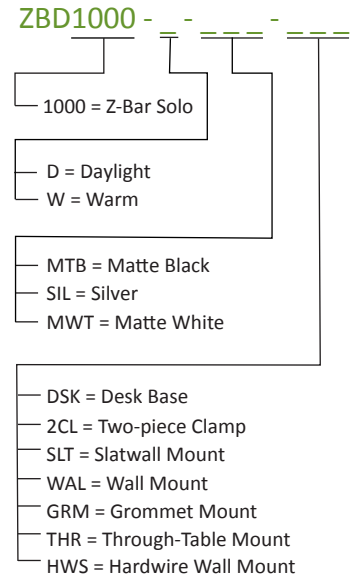
### Integrative Process

To support high-performance, cost-effective project outcomes through an early analysis of the interrelationships among systems. Concept's LED desktop and task lighting provides finer control over lighting levels in occupied spaces. With personal lighting in place, elimination or downsizing of building lighting systems is possible.

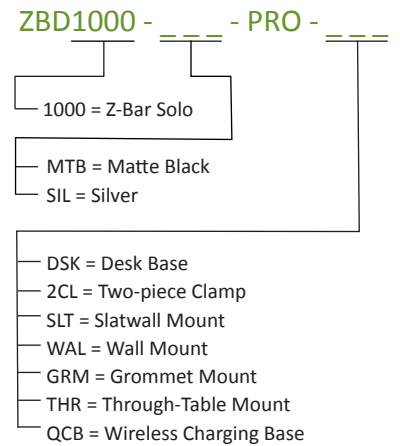
### Interior Lighting

To promote occupants' productivity, comfort and well-being by providing high-quality lighting. Concept's portable task lighting products provide more than three lighting levels that occupants can easily adjust to suit their needs. Furthermore, all Concept lighting products use high quality LED light sources with CRI over 90 and L90 rated lifespan over 60,000 hours. Desktop and task personal lighting also provide the opportunity to reduce overhead lighting.

## Z-Bar Solo



## Z-Bar Solo Pro



Photometrics: Light source placed 15" away from work surface

