



Streamlined Flexibility

Z-Bar gen 4 family

The original Z-Bar design was Koncept's flagship product in 2004, and has enjoyed tremendous global success. "Generation 4" is the fourth revamp of the original Z-Bar line of task lights. It consists of the Z-Bar Desk Lamp, Z-Bar Solo Desk Lamp, Z-Bar Mini Desk Lamp and Z-Bar Floor Lamp. This award-winning line features improved optics and joint design. Gen 4 maintains some beloved characteristics such as a minimalist profile, high flexibility and compatibility with various desk and wall mounts. The "Pro" version of each desk lamp comes with added functionality such as motion detection and light temperature tunability.

Desk

Floor

Designers

Peter Ng, Kenneth Ng, Edmund Ng

Red Dot Design Award 2021

iF Design Award 2021

Best of NeoCon SILVER 2021

Interior Design Magazine's Best of Category 2006*

Permanent display at Die Neue Sammlung, Munich*

TIME Magazine's Best Inventions of the Year 2007*

*Awards won with previous Z-bar generations



Desk

A Modern Lighting Icon

Z-Bar desk lamp

The Z-Bar collection broke the mold for desk and floor lamp design and introduced the world to Koncept's contemporary designs. The traditional bulb-and-shade lamp format was abandoned and the result was a flexible, streamlined design. The three-bar silhouette has become iconic in the LED lighting design industry. With several sizes to choose from, there's a Z-Bar for every need.

The "Pro" version comes with an occupancy sensor and USB port for charging compatible devices. It also allows users to choose and adjust their color temperatures (from 2,700-5,000 K) to coincide with their circadian rhythms.

Designers

Peter Ng, Kenneth Ng, Edmund Ng

Red Dot Design Award 2021

iF Design Award 2021

Best of NeoCon SILVER 2021

Interior Design Magazine's Best of Category 2006*

Permanent display at Die Neue Sammlung, Munich*

TIME Magazine's Best Inventions of the Year 2007*

*Awards won with previous Z-bar generations



Mounting Options

The Z-Bar Desk Lamp was designed to encompass a minimal footprint. Koncept designers amplified this idea by ensuring that the lamp is compatible with a variety of Koncept's mounting options. When users incorporate desk clamps, grommet mounts and hardwire wall mounts, they automatically create more desk space. The lamp's power cord is barely visible with these mounts. The Qi base provides quick and easy charging for compatible phones. Users can simply place their phone on the base, and the device will automatically begin charging.



Hardwire Wall Mount



Desk Base (standard)



Wireless Charging Qi Base



Two-piece Clamp



Grommet Mount



Wall Mount



Slatwall Mount



Through-table Mount



Z-Bar with desk clamp

The "Pro" version of each desk lamp model comes with an occupancy sensor and USB-C port for charging compatible devices. It also allows users to choose and adjust their color temperatures (from 2,700-5,000 K) to coincide with their circadian rhythms.

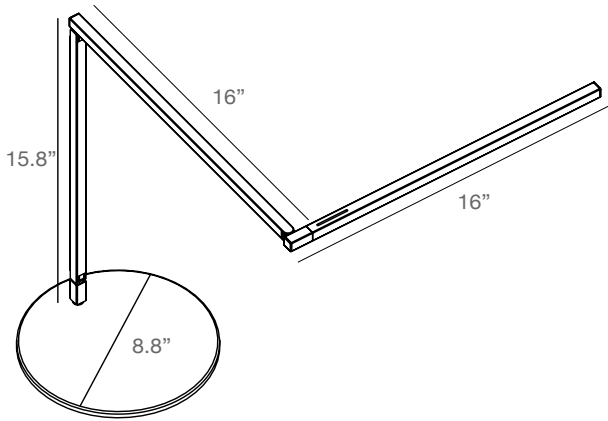


The optional wireless charging base is powered by the USB-C port on the Pro version Z-Bar lamp. Wireless charging bases are compatible with Pro version Z-bar only.

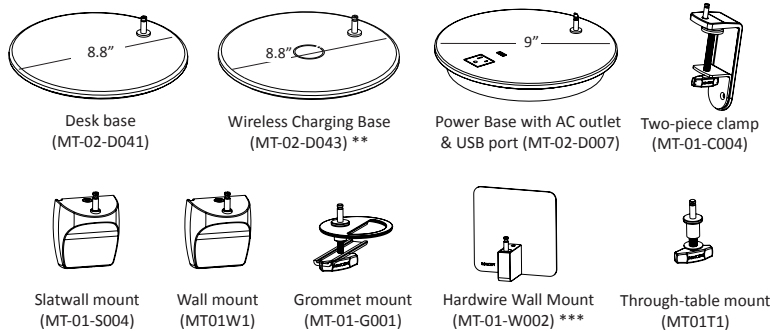
Technical Information

	Z-Bar	Z-Bar Pro
Occupancy Sensor:	N/A	Built-in
USB-C port:	N/A	Built-in
Color Temperature:	3,500K (W) or 5,000K (D)	2,700K (S) - 5000K (D)
Lumens:	888	816 (S) / 971 (D)
Footcandles @ 15":	169 (W) / 189 (D)	206
Energy Consumption:	8.8 W	10.1 W
Standard Finishes:	Matte Black, Silver, Matte White	Matte Black, Silver, Brushed Aluminum (limited edition)
L-90 Rated Lifespan:	60,000 hours	
Color Rendering Index:	90+	
Brightness Adjustability:	Continuous dimming (touchstrip)	
Material:	Aluminum, plastic	
Safety Rating:	C-UL-US Certified	
Warranty:	5 years (U.S. & Canada). <i>For international regions, consult local distributor.</i>	
Voltage:	100-240V	

Dimensions



Mounting Options/Accessories*



*Limited finishes available on mounting options
 ** Not available for standard model
 *** Not available for Pro model

LEED Information

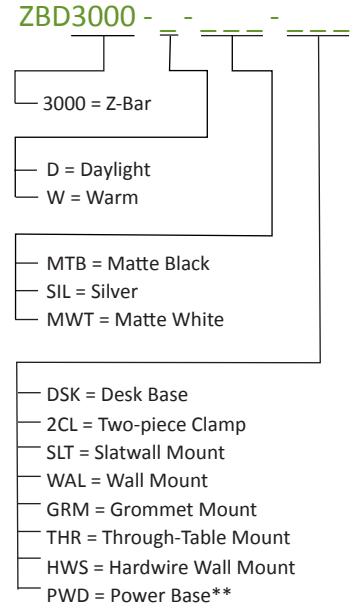
Integrative Process

To support high-performance, cost-effective project outcomes through an early analysis of the interrelationships among systems. Concept's LED desktop and task lighting provides finer control over lighting levels in occupied spaces. With personal lighting in place, elimination or downsizing of building lighting systems is possible.

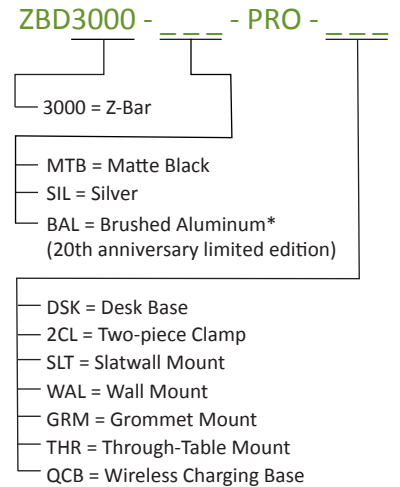
Interior Lighting

To promote occupants' productivity, comfort and well-being by providing high-quality lighting. Concept's portable task lighting products provide more than three lighting levels that occupants can easily adjust to suit their needs. Furthermore, all Concept lighting products use high quality LED light sources with CRI over 90 and L90 rated lifespan over 60,000 hours. Desktop and task personal lighting also provide the opportunity to reduce overhead lighting.

Z-Bar

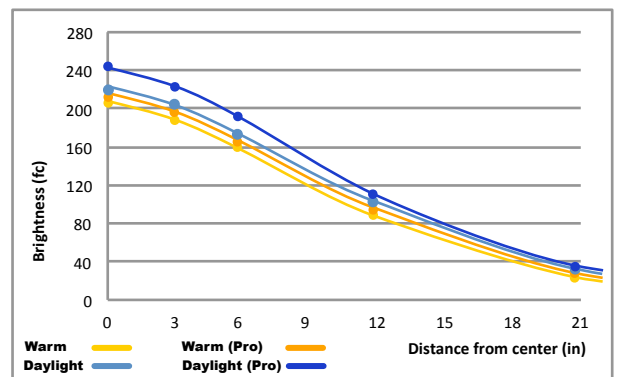


Z-Bar Pro



*Desk base comes in matching finish, other mounting options comes in black finish.
 Power Base comes in silver finish, custom finish available. **Not compatible with Z-Bar Pro.

Photometrics: Light source placed 15" away from work surface



Streamlined Flexibility

Z-Bar mini desk lamp

Z-Bar mini is designed for smaller desks and workspaces. An improved joint design allows for a cleaner profile and greater articulation. The improved optics avoided multiple, harsh shadows, and producing soft, even shadows. Compatible with various desk and wall mounts. The "Pro" version comes with an occupancy sensor and USB port for charging compatible devices. It also allows users to choose and adjust their color temperatures (from 2,700-5,000 K) to coincide with their circadian rhythms.

Designers

Peter Ng, Kenneth Ng, Edmund Ng

Red Dot Design Award 2021

iF Design Award 2021

Best of NeoCon SILVER 2021

Interior Design Magazine's Best of Category 2006*

Permanent display at Die Neue Sammlung, Munich*

TIME Magazine's Best Inventions of the Year 2007*

*Awards won with previous Z-bar generations

Mounting Options

The Z-Bar Desk Lamp was designed to encompass a minimal footprint. Koncept designers amplified this idea by ensuring that the lamp is compatible with a variety of Koncept's mounting options. When users incorporate desk clamps, grommet mounts and hardwire wall mounts, they automatically create more desk space. The lamp's power cord is barely visible with these mounts. The Qi base provides quick and easy charging for compatible phones. Users can simply place their phone on the base, and the device will automatically begin charging.



Hardwire Wall Mount



Desk Base (standard)



Wireless Charging Qi Base



Two-piece Clamp



Grommet Mount



Wall Mount



Slatwall Mount



Through-table Mount



The "Pro" version of each desk lamp model comes with an occupancy sensor and USB-C port for charging compatible devices. It also allows users to choose and adjust their color temperatures (from 2,700-5,000 K) to coincide with their circadian rhythms.



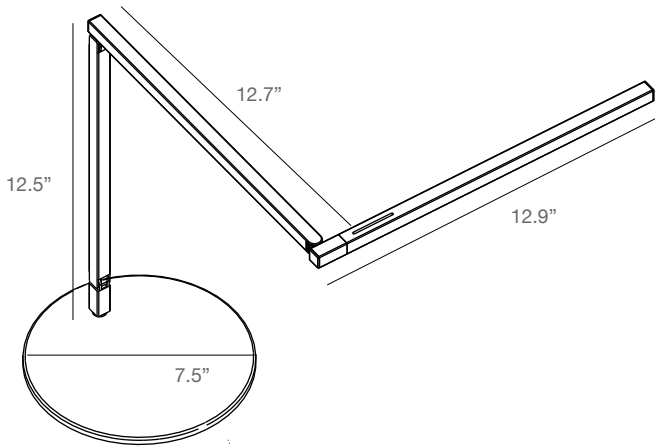


The optional wireless charging base is powered by the USB-C port on the Pro version Z-Bar lamp. Wireless charging bases are compatible with Pro version Z-bar only.

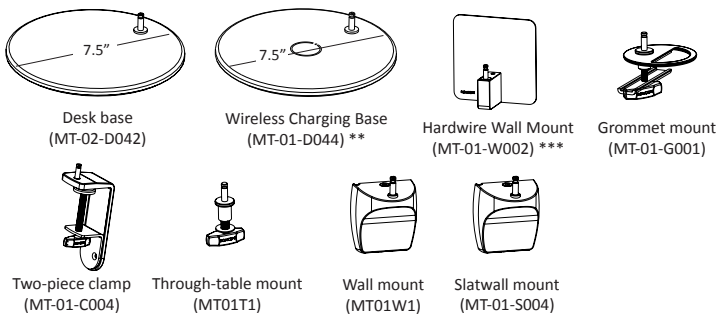
Technical Information

	Z-Bar mini	Z-Bar mini Pro
Occupancy Sensor:	N/A	Built-in
USB-C port:	N/A	Built-in
Color Temperature:	3,500K (W) or 5,000K (D)	2,700K (S) - 5000K (D)
Lumens:	533	564 (S) / 670 (D)
Footcandles @ 15":	112 (W) / 124 (D)	136
Energy Consumption:	5.35 W	6.8 W
Standard Finishes:	Matte Black, Silver, Matte White, Matte Red, Matte Orange, Konzept Blue	Matte Black, Silver
L-90 Rated Lifespan:	60,000 hours	
Color Rendering Index:	90+	
Brightness Adjustability:	Continuous dimming (touchstrip)	
Material:	Aluminum, plastic	
Safety Rating:	C-UL-US Certified	
Warranty:	5 years (U.S. & Canada). For international regions, consult local distributor.	
Voltage:	100-240V	

Dimensions



Mounting Options/Accessories*



*Limited finishes available on mounting options
 ** Not available for standard model
 *** Not available for Pro model

LEED Information

Integrative Process

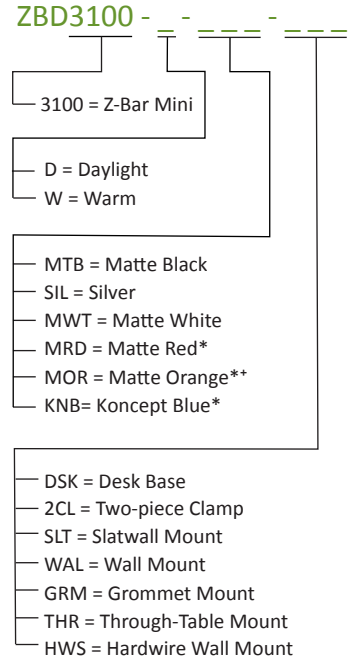
To support high-performance, cost-effective project outcomes through an early analysis of the interrelationships among systems.

Concept's LED desktop and task lighting provides finer control over lighting levels in occupied spaces. With personal lighting in place, elimination or downsizing of building lighting systems is possible.

Interior Lighting

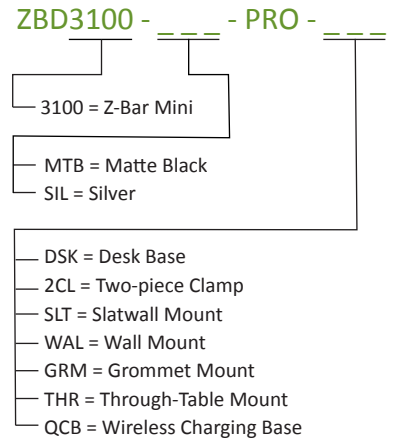
To promote occupants' productivity, comfort and well-being by providing high-quality lighting. Concept's portable task lighting products provide more than three lighting levels that occupants can easily adjust to suit their needs. Furthermore, all Concept lighting products use high quality LED light sources with CRI over 90 and L90 rated lifespan over 60,000 hours. Desktop and task personal lighting also provide the opportunity to reduce overhead lighting.

Z-Bar mini

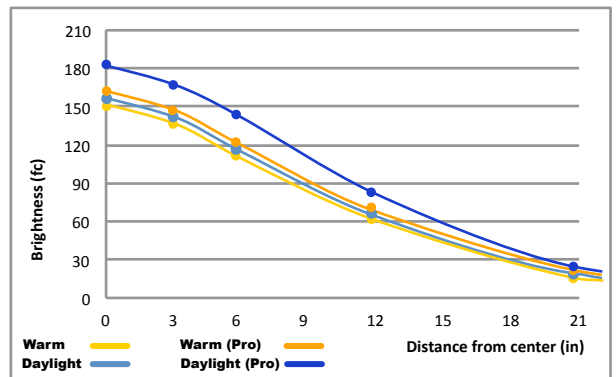


*Comes in warm light only
 *Desk base comes in matching finish, other mounting options comes in black finish.
 * This lamp is a partaker in the Tangerine charity campaign. Visit koncept.com/Tangerine for more information

Z-Bar mini Pro



Photometrics: Light source placed 15" away from work surface



Streamlined Flexibility

Z-Bar solo desk lamp

The Z-Bar Solo Desk Lamp enjoys all the improvements of the Z-Bar Gen 4 (slimmer profile, cleaner joints, improved optics, increased brightness and greater flexibility), but packed into a compact design. Despite its simplified appearance, it retains all functionality, such as dimmability and rotation. Z-Bar Solo “Pro” packs in three bonus features: an occupancy sensor, a USB-C charging port and tunable light temperature (from 2,700K warm to 5,000K cool white light).

Designers

Peter Ng, Kenneth Ng, Edmund Ng

Red Dot Design Award 2021

iF Design Award 2021

Best of NeoCon SILVER 2021

Interior Design Magazine's Best of Category 2006*

Permanent display at Die Neue Sammlung, Munich*

TIME Magazine's Best Inventions of the Year 2007*

*Awards won with previous Z-bar generations

Mounting Options

The Z-Bar Desk Lamp was designed to encompass a minimal footprint. Koncept designers amplified this idea by ensuring that the lamp is compatible with a variety of Koncept's mounting options. When users incorporate desk clamps, grommet mounts and hardwire wall mounts, they automatically create more desk space. The lamp's power cord is barely visible with these mounts. The Qi base provides quick and easy charging for compatible phones. Users can simply place their phone on the base, and the device will automatically begin charging.



Hardwire Wall Mount



Desk Base (standard)



Wireless Charging Qi Base



Two-piece Clamp



Grommet Mount



Wall Mount



Slatwall Mount



Through-table Mount



The "Pro" version of each desk lamp model comes with an occupancy sensor and USB-C port for charging compatible devices. It also allows users to choose and adjust their color temperatures (from 2,700-5,000 K) to coincide with their circadian rhythms.

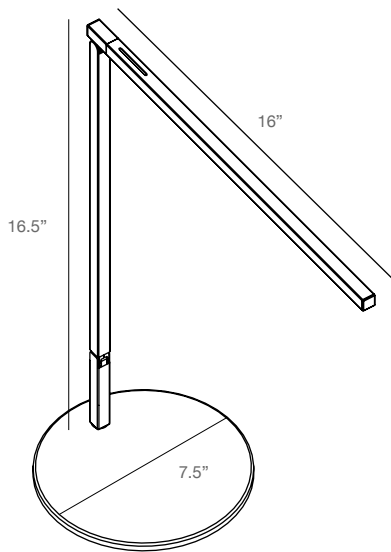


The optional wireless charging base is powered by the USB-C port on the Pro version Z-Bar lamp. Wireless charging bases are compatible with Pro version Z-bar only.

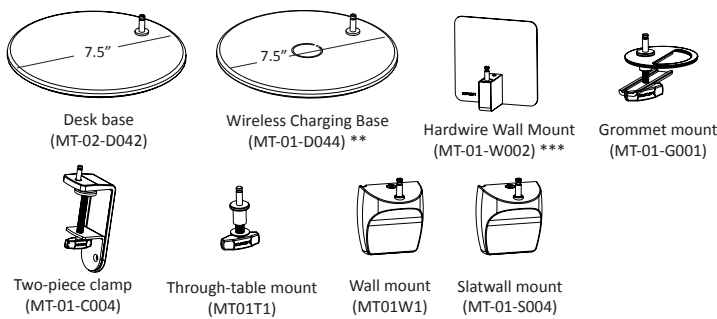
Technical Information

	Z-Bar Solo	Z-Bar Solo Pro
Occupancy Sensor:	N/A	Built-in
USB-C port:	N/A	Built-in
Color Temperature:	3,500K (W) or 5,000K (D)	2,700K (S) - 5000K (D)
Lumens:	888	816 (S) / 971 (D)
Footcandles @ 15":	169 (W) / 189 (D)	206
Energy Consumption:	8.8 W	10.1 W
Standard Finishes:	Matte Black, Silver, Matte White	Matte Black, Silver
L-90 Rated Lifespan:	60,000 hours	
Color Rendering Index:	90+	
Brightness Adjustability:	Continuous dimming (touchstrip)	
Material:	Aluminum, plastic	
Safety Rating:	C-UL-US Certified	
Warranty:	5 years (U.S. & Canada). For international regions, consult local distributor.	
Voltage:	100-240V	

Dimensions



Mounting Options/Accessories*



*Limited finishes available on mounting options
 ** Not available for standard model
 *** Not available for Pro model

LEED Information

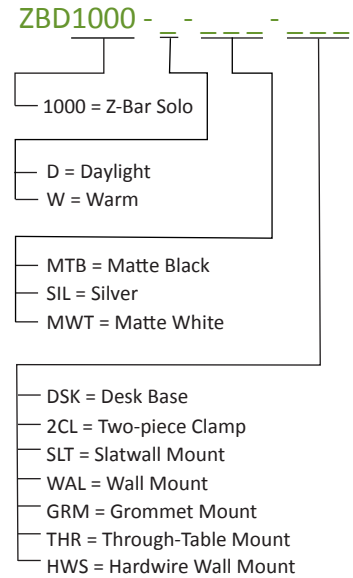
Integrative Process

To support high-performance, cost-effective project outcomes through an early analysis of the interrelationships among systems. Concept's LED desktop and task lighting provides finer control over lighting levels in occupied spaces. With personal lighting in place, elimination or downsizing of building lighting systems is possible.

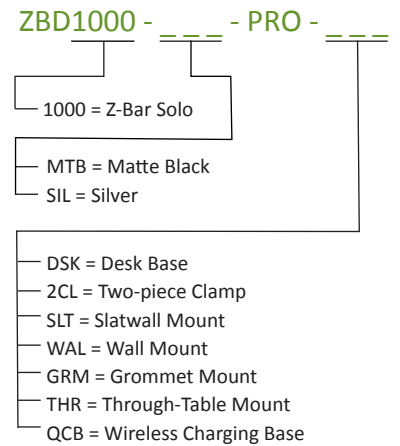
Interior Lighting

To promote occupants' productivity, comfort and well-being by providing high-quality lighting. Concept's portable task lighting products provide more than three lighting levels that occupants can easily adjust to suit their needs. Furthermore, all Concept lighting products use high quality LED light sources with CRI over 90 and L90 rated lifespan over 60,000 hours. Desktop and task personal lighting also provide the opportunity to reduce overhead lighting.

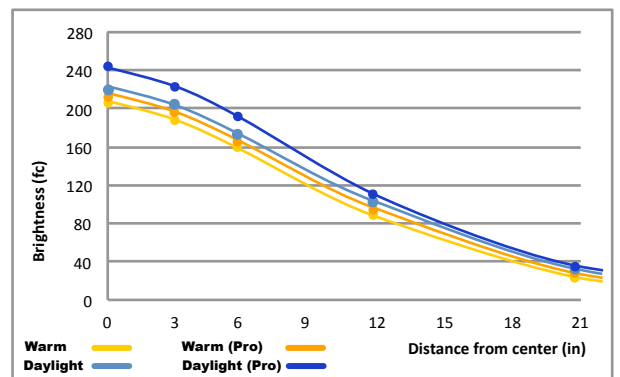
Z-Bar Solo



Z-Bar Solo Pro



Photometrics: Light source placed 15" away from work surface





Floor

Streamlined Flexibility

Z-Bar floor lamp

Z-Bar Gen 4 Floor Lamp's design features greater energy efficiency, brighter light and improved optics than previous Z-Bar generation. The joint mechanisms are now flush to the slim body, making for a cleaner profile and allowing for even greater articulation. Z-Bar Floor maintains its beloved characteristics, such as diffused and dimmable light, and the iconic three-bar design. It allows users to choose and adjust their color temperatures (from 2,700-5,000 K) to coincide with their circadian rhythms. It also comes with an occupancy sensor to turn the lamp on/off automatically to further save energy.

Designers

Peter Ng, Kenneth Ng, Edmund Ng

Red Dot Design Award 2021

iF Design Award 2021

Best of NeoCon SILVER 2021

Interior Design Magazine's Best of Category 2006*

Permanent display at Die Neue Sammlung, Munich*

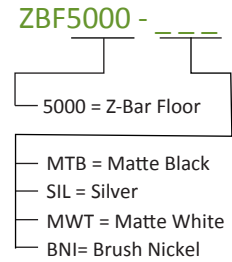
TIME Magazine's Best Inventions of the Year 2007*

*Awards won with previous Z-bar generations

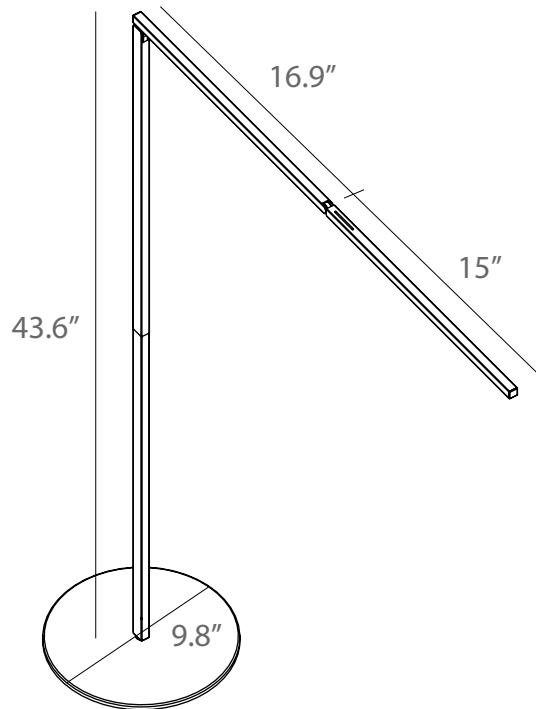
Technical Information

	Z-Bar Floor
Occupancy Sensor:	Built-in
USB-C port:	N/A
Color Temperature:	2,700K (S) - 5000K (D)
Lumens:	816 (S) / 971 (D)
Footcandles @ 15":	206
Energy Consumption:	10.1 W
Standard Finishes:	Matte Black, Silver, Matte White, Brush Nickel
L-90 Rated Lifespan:	60,000 hours
Color Rendering Index:	90+
Brightness Adjustability:	Continuous dimming (touchstrip)
Material:	Aluminum, plastic
Safety Rating:	C-UL-US Certified
Warranty:	5 years (U.S. & Canada). <i>For international regions, consult local distributor.</i>
Voltage:	100-240V

Z-Bar Floor



Dimensions



LEED Information

Integrative Process

To support high-performance, cost-effective project outcomes through an early analysis of the interrelationships among systems.

Koncept's LED desktop and task lighting provides finer control over lighting levels in occupied spaces. With personal lighting in place, elimination or downsizing of building lighting systems is possible.

Interior Lighting

To promote occupants' productivity, comfort and well-being by providing high-quality lighting.

Koncept's portable task lighting products provide more than three lighting levels that occupants can easily adjust to suit their needs. Furthermore, all Koncept lighting products use high quality LED light sources with CRI over 90 and L90 rated lifespan over 60,000 hours. Desktop and task personal lighting also provide the opportunity to reduce overhead lighting.

Photometrics: Light source placed 15" away from work surface

