



Desk

Seamlessly blends into your interior

Yurei lights

Designers
Kenneth Ng, Edmund Ng

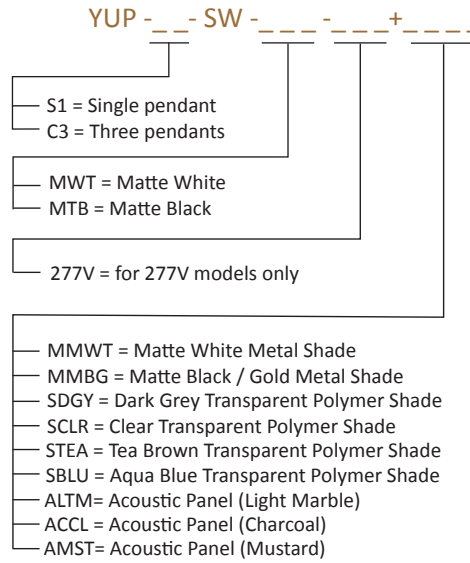
Best of NeoCon GOLD 2023

Drawing inspiration from the Japanese word for ghost, Yurei, our new lighting solution features unique translucent light shades that perfectly embodies the spirit of the name. With its ethereal and otherworldly appearance, the Yurei Light is the perfect way to add a touch of mystique and style to any commercial or residential interiors. On the desk/floor models, the dimmer and height-adjustable features provide precise control of light intensity for optimal working conditions, and the optional light shade can be easily replaced to match any workspace's aesthetic. Available in a range of translucent colors and metal finishes, the light shade adds an artistic touch to the environment. When used with an acoustic panel, the Yurei light can help reduce unwanted noise, creating a peaceful and calming environment. Its sustainable design, made from over 95% recyclable materials, makes it an excellent choice for businesses and organizations looking to reduce their environmental impact. The Yurei light is available in different mounting options, including suspension Pendant light, flush ceiling mount, through-table mount, desk clamp, or free-standing base, suitable for table or floor lamps.

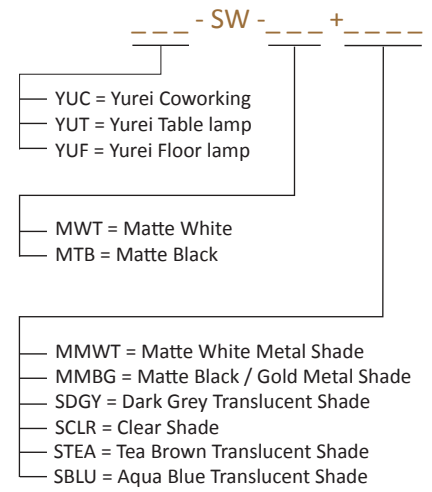
Model #: **YUP / YUC / YUT / YUF**
 Lumens: 1250 lm (YUP)
 1175 lm (YUC / YUT / YUF)

Energy Consumption : 14 W
 Rated Lifespan 60,000+ hours
 Color Temperature: 3,000 K
 Color Rendering Index (Ra) : 90+
 Color Rendering Index (R9) : 50+
 Material: Aluminum, Plexiglass
 Warranty: 5 years
 Voltage: 100-240V
 Standard Finish (luminaire): White, Black
 Shade Finishes:
 Matte White (Metal)
 Matte Black / Gold (Metal)
 Dark Grey (Translucent)
 Clear
 Tea Brown (Translucent)
 Aqua Blue (Translucent)
 Light Marble (Acoustic Panel Shade)
 Charcoal (Acoustic Panel Shade)
 Mustard (Acoustic Panel Shade)

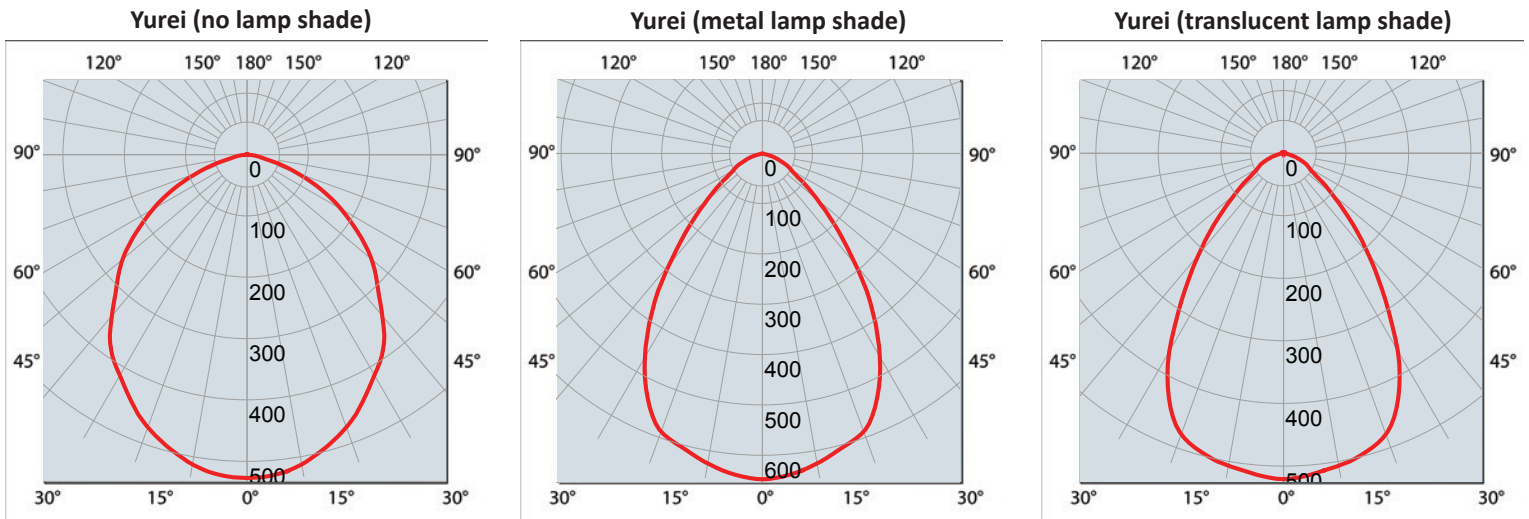
Yurei Pendant



Yurei Coworking / Table / Floor lamp



Photometrics diagram



LEED Information

Integrative Process
 To support high-performance, cost-effective project outcomes through an early analysis of the interrelationships among systems. Konzept's LED desktop and task lighting provides finer control over lighting levels in occupied spaces. With personal lighting in place, elimination or downsizing of building lighting systems is possible.

Interior Lighting

To promote occupants' productivity, comfort and well-being by providing high-quality lighting. Konzept's portable task lighting products provide more than three lighting levels that occupants can easily adjust to suit their needs. Furthermore, all Konzept lighting products use high quality LED light sources with CRI over 90 and L70 rated lifespan over 60,000 hours. Desktop and task personal lighting also provide the opportunity to reduce overhead lighting.

Yurei Pendant Standard Options

	Yurei	Canopy	Light Temperature (K)	Finish	Shade Finish
■ Stock standard	YUP (Pendant)	S1 (Single) C3 (Three pendants)	3,000 (SW)	Matte Black (MTB) Matte White (MWT)	MMWT = Matte White Metal Shade MMBG = Matte Black / Gold Metal Shade SDGY = Dark Grey Translucent Shade SCLR = Clear Shade STEA = Tea Brown Translucent Shade SBLU = Aqua Blue Translucent Shade ALTM= Acoustic Panel (Light Marble) ACCL = Acoustic Panel (Charcoal)

Order example: **YUP - S1 - SW - MTB + MMBG**

Yurei Pendant Customization Options

Additional lead time/charges may be applied to non-stocked options

	Yurei	Canopy	Light Temperature (K)	Finish	Voltage	Cable Length	Shade Finish
■ Stock standard	YUP (Pendant)	S1 (Single) C3 (Three pendants)	1,800* 2,000* 2,200* 2,500* 2,700 3,000 (SW) 3,500 4,000 4,500 5,000 5,700 6,500	Matte Black (MTB) Matte White (MWT) Custom finish (CUS)	120V 277V	10 ft 11 12 13 14 15 16 17 Enter desired cable length (feet)	MMWT = Matte White Metal Shade MMBG = Matte Black / Gold Metal Shade SDGY = Dark Grey Translucent Shade SCLR = Clear Shade STEA = Tea Brown Translucent Shade SBLU = Aqua Blue Translucent Shade ALTM= Acoustic Panel (Light Marble) ACCL = Acoustic Panel (Charcoal) CUS = Custom finish

Order example: **YUP - S1 - SW - MTB - 277V - 15 + MMBG**

Customization charges apply.
*CRI for custom color temperatures below 2700K is 80+

Yurei Coworking / Table / Floor lamp Standard Options

	Yurei	Light Temperature (K)	Finish	Shade Finish
■ Stock standard	YUC (Coworking) YUT (Table lamp) YUF (Floor lamp)	3,000 (SW)	Matte Black (MTB) Matte White (MWT)	MMWT = Matte White Metal Shade MMBG = Matte Black / Gold Metal Shade SDGY = Dark Grey Translucent Shade SCLR = Clear Shade STEA = Tea Brown Translucent Shade SBLU = Aqua Blue Translucent Shade

Order example: **YUC - SW - MTB + MMBG**

Yurei Coworking / Table / Floor lamp Customization Options

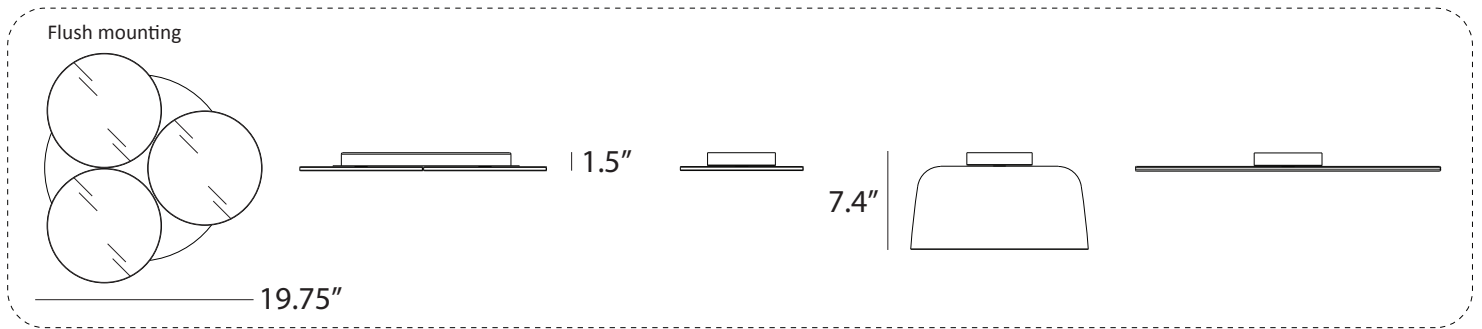
Additional lead time/charges may be applied to non-stocked options

	Yurei	Light Temperature (K)	Finish	Mount	Height (in)***	Shade Finish
■ Stock standard	YUC (Coworking) YUT (Table lamp) YUF (Floor lamp)	1,800* 2,000* 2,200* 2,500* 2,700 3,000 (SW) 3,500 4,000 4,500 5,000 5,700 6,500	Matte Black (MTB) Matte White (MWT) Custom finish (CUS)	Clamp mount (THR) Through-table (THR) Extended Through-table** (EXT) (for YUC only)	15 16 17 18 19 20 Enter the desired height (15" to 36") in inches. Telescopic body extends 7.5 inches higher *For Yurei Coworking model Only	MMWT = Matte White Metal Shade MMBG = Matte Black / Gold Metal Shade SDGY = Dark Grey Translucent Shade SCLR = Clear Shade STEA = Tea Brown Translucent Shade SBLU = Aqua Blue Translucent Shade CUS = Custom finish

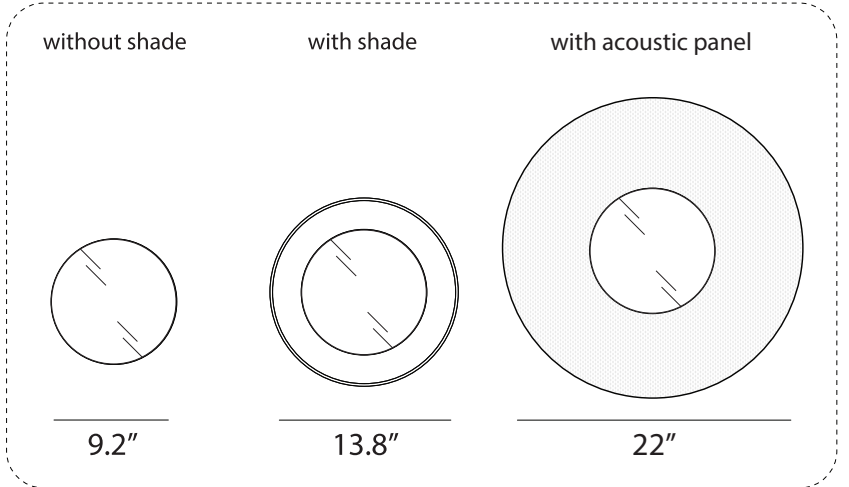
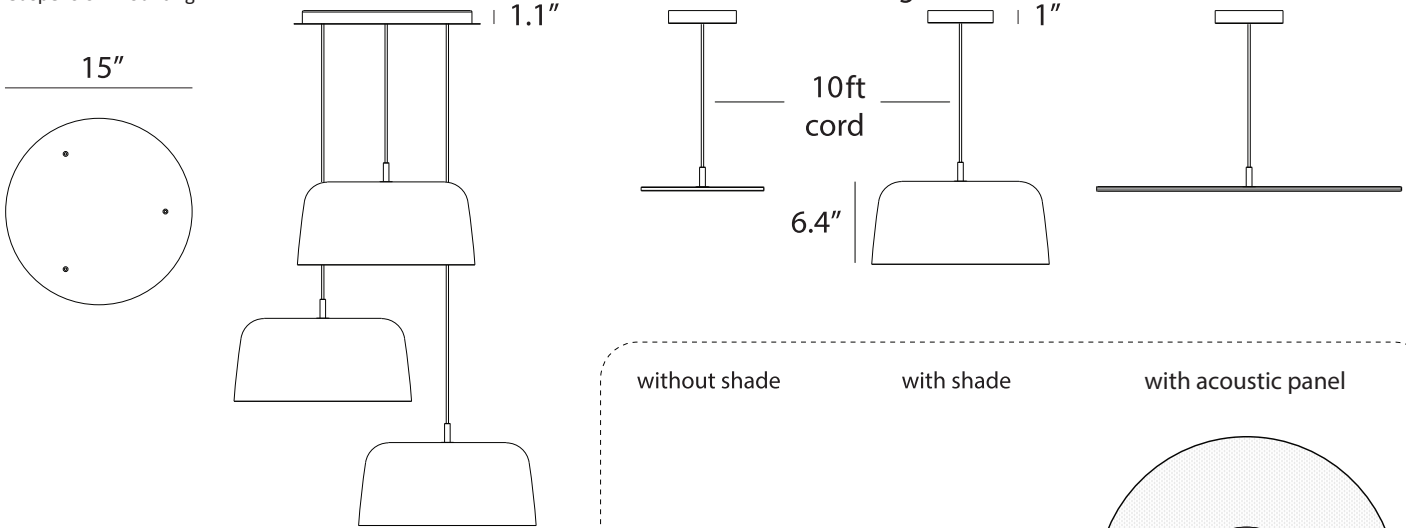
Order example: **YUC - 2,500 - MTB + EXT - 20 + MMBG**

Customization charges apply.
*CRI for custom color temperatures below 2700K is 80+
**extended through-table mount (EXT) supports up to 2.6" table thickness.
***Height customization for Yurei Coworking model only.

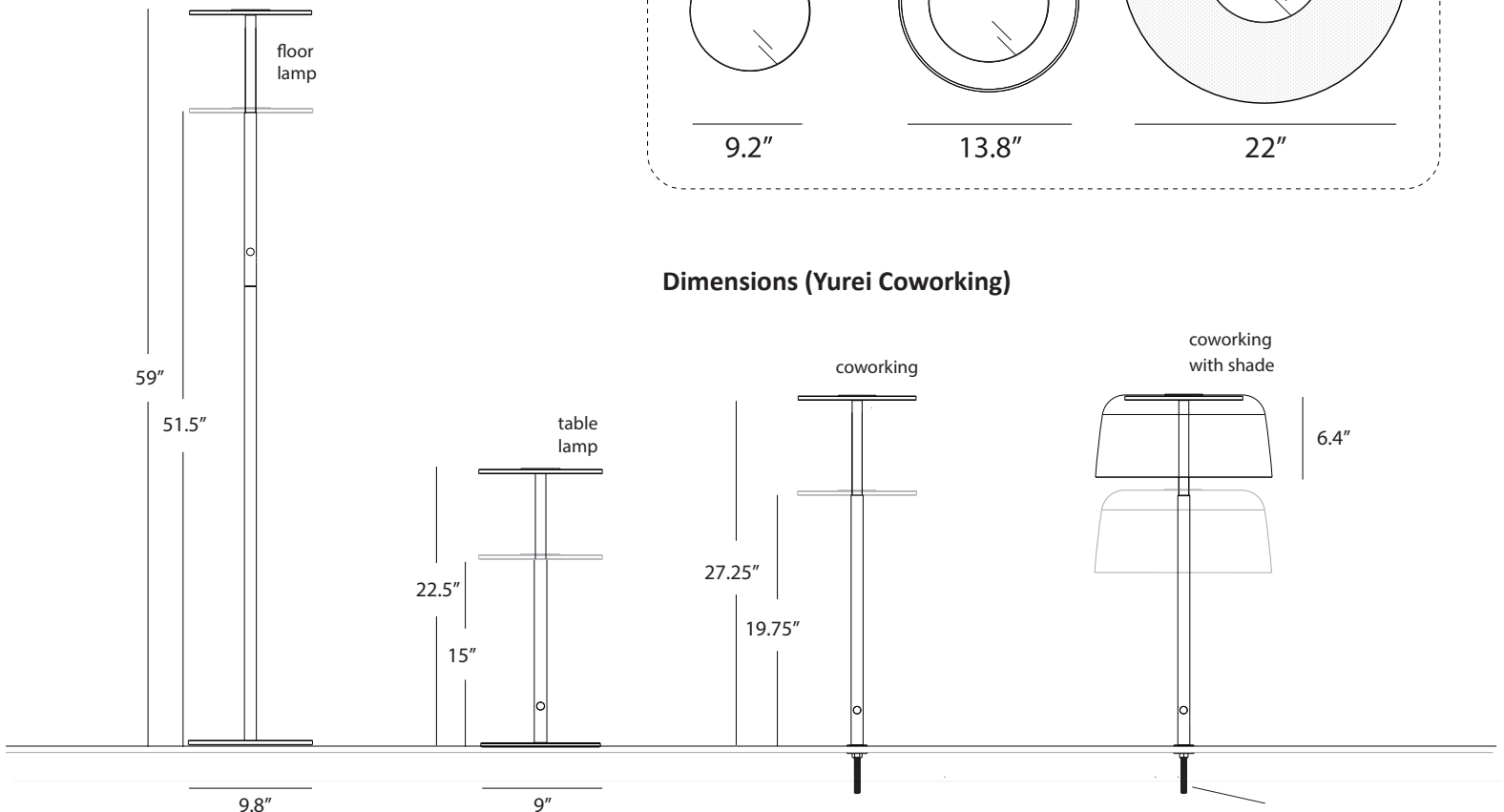
Dimensions (Yurei Pendant)



Suspension mounting



Dimensions (Yurei Table / Floor lamp)



Dimensions (Yurei Coworking)

***extended through-table mount (EXT) supports up to 2.6" table thickness.