



Desk

Arched Personality


Mr. n

Designers
Kenneth Ng, Edmund Ng

Spark Award 2013
Interior Design Best of Year 2013
Metropolis Likes 2014

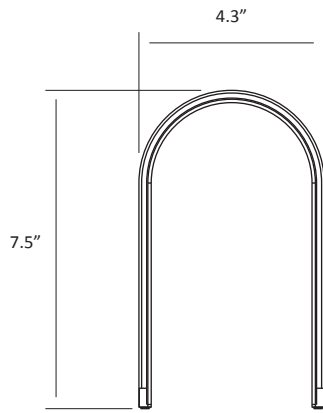
Meet the Mr. n family: two arch-shaped table lamps that exude soft, omni-directional light. The smaller of the two lamps, Mr. n, is the original design, and has been featured on numerous movies and tv shows over the years. Mr. n *tall* is double the height and double the brightness of its little brother. Plug your phone or tablet into the built-in USB port to re-charge. A one-finger tap on a touchstrip is all that's needed to make either lamp glow. Hold your finger on the same strip to adjust brightness. Sit Mr. n or Mr. n tall on your desk, bookshelf or table to cast a glow across the room and add a hint of modern quirkiness.

Lumens:	Mr n 250	Mr n tall 600
Energy Consumption:	5 W	13.5 W
USB port:	N/A	Built-in; 1A (5 Watt)
Standard Finishes:	Metallic Black, Silver	Silver
Rated Lifespan:	50,000 hours	
Color Temperature:	2,700 K	
Color Rendering Index (CRI) :	90	
Brightness Adjustability:	Continuous dimming (press & hold Konzept logo)	
Material:	Aluminum, plastic	
Safety Rating:	C-UL-US Certified	
Warranty:	5 years	
Voltage:	100-240V	

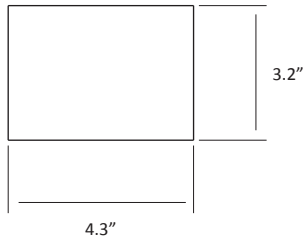
NL1 - S -  - DSK
 — MBK = Metallic Black
 — SIL = Silver

NL2 - S - SIL - DSK

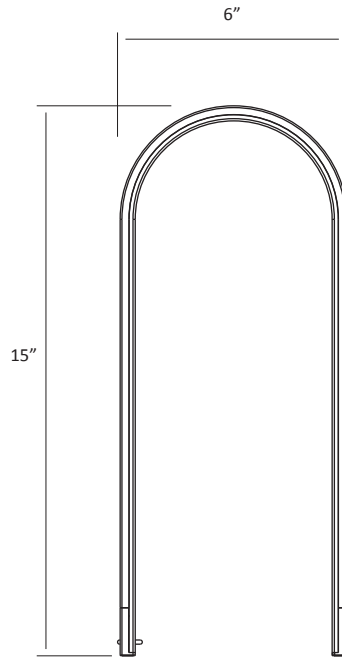
Mr n



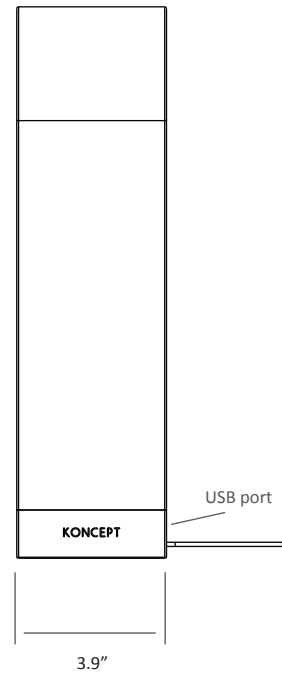
Top view



Mr n Tall



Side view



LEED Information

Integrative Process

To support high-performance, cost-effective project outcomes through an early analysis of the interrelationships among systems. Konzept's LED desktop and task lighting provides finer control over lighting levels in occupied spaces. With personal lighting in place, elimination or downsizing of building lighting systems is possible.

Interior Lighting

To promote occupants' productivity, comfort and well-being by providing high-quality lighting. Konzept's portable task lighting products provide more than three lighting levels that occupants can easily adjust to suit their needs. Furthermore, all Konzept lighting products use high quality LED light sources with CRI over 80 and L70 rated lifespan over 50,000 hours. Desktop and task personal lighting also provide the opportunity to reduce overhead lighting.