

Contemporary Spotlight

Focaccia solo desk lamp

Designers
Kenneth Ng, Edmund Ng

Best of NeoCon GOLD 2022

The Focaccia Solo Lamp is a compact version of the Focaccia Desk. It still comes standard with a slim and flexible body that can be bent at the joints, and swiveled at the base, but instead features one arm to fit into those smaller areas. The diffused square spotlight head is able to adjust light color from 2700 K (warm) to 5000 K (white), and brightness level with a touch strip on the top. Additionally, the Solo model includes an occupancy sensor, and a USB-C charging port for charging devices. This contemporary lamp is functional, stylish, and compact.

The Focaccia Desk Lamp was designed to have a minimal footprint. Konzept designers enhanced this by ensuring compatibility with various Konzept mounting options. Using desk clamps, grommet mounts, and hardwire wall mounts, users can create more desk space. These mounts also keep the power cord barely visible. Additionally, the Qi base offers quick and easy charging for compatible phones—just place your phone on the base, and it will start charging automatically.



Desk Base



Wireless Charging Qi Base



Two-piece clamp



Grommet mount



Slatwall mount

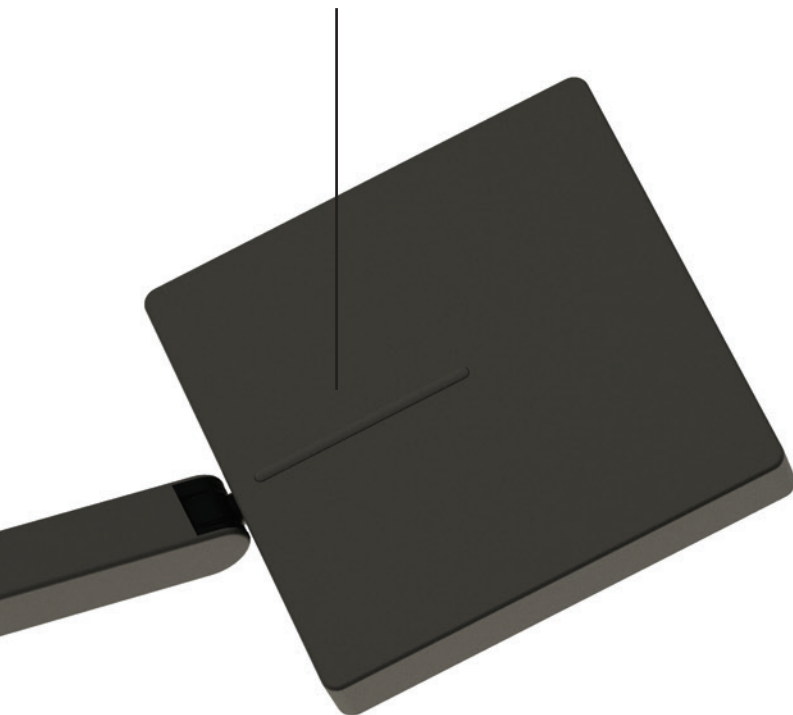


Wall mount

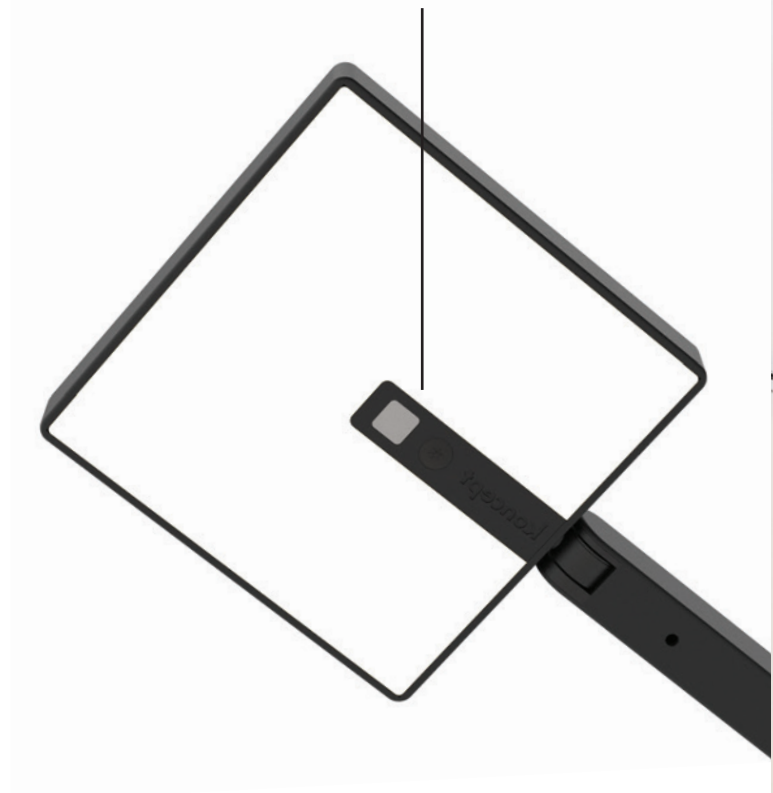


Through-table mount

Touch strip to adjust brightness

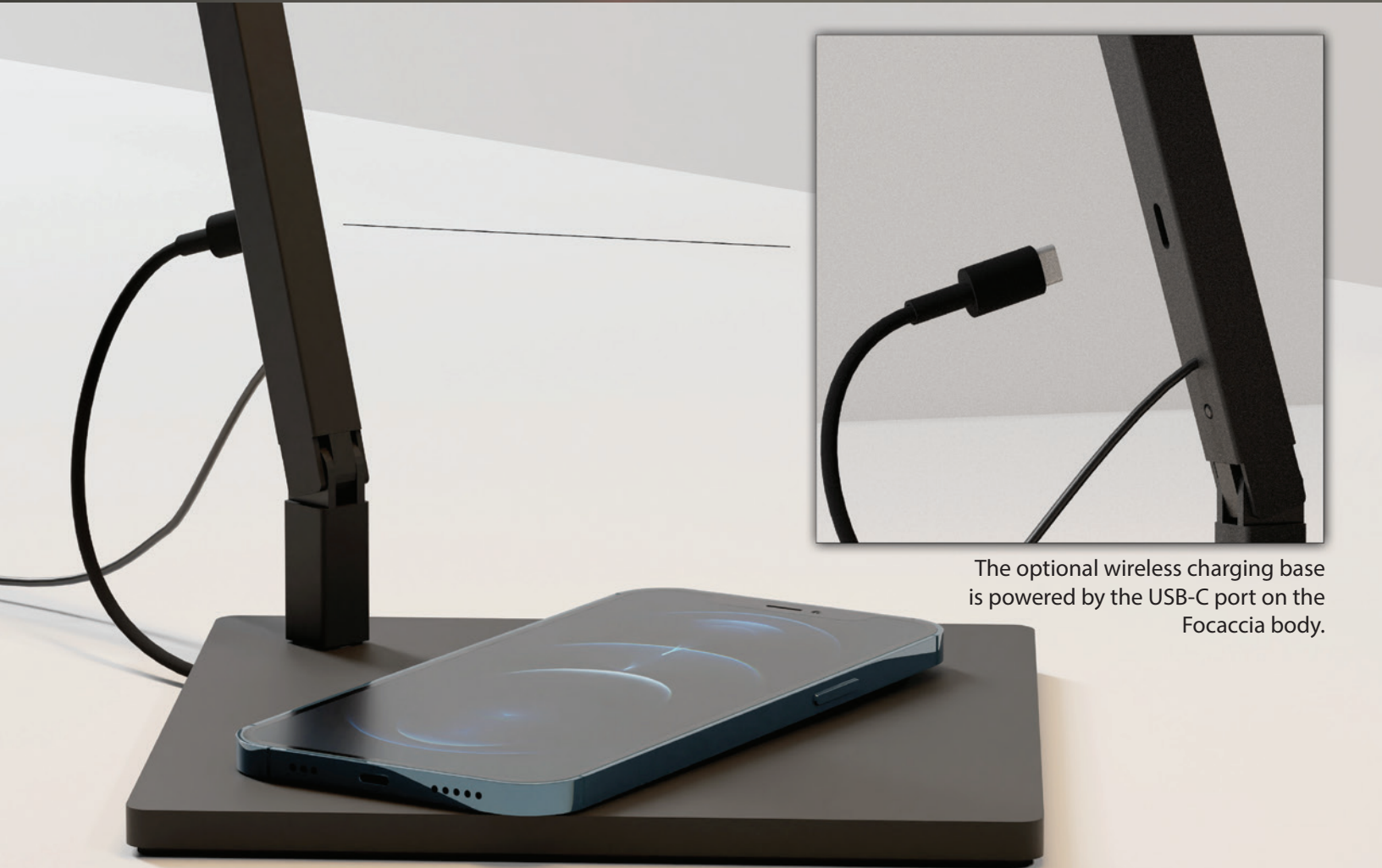


Occupancy sensor & light color changing button





USB-C charging port

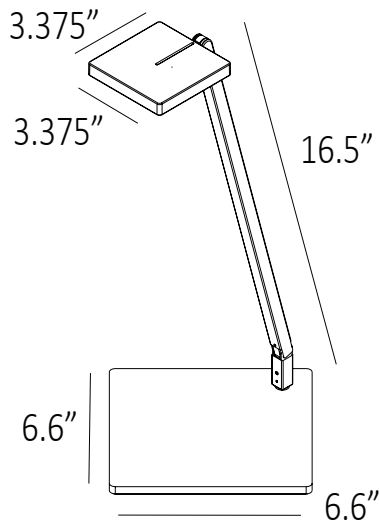
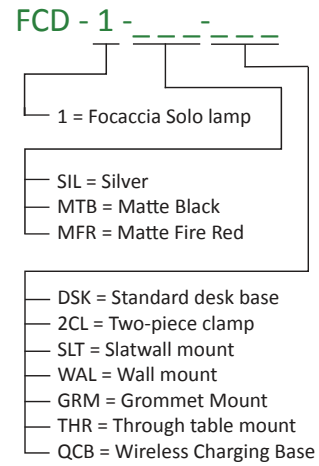


The optional wireless charging base is powered by the USB-C port on the Focaccia body.

Technical Information

Occupancy Sensor:	Focaccia Solo Built-in
USB-C port:	Built-in
Color Temperature:	2,700K - 5000K
Lumens:	460
Energy Consumption:	7 W
Standard Finishes:	Matte Black, Silver, Matte Fire Red
L-90 Rated Lifespan:	60,000 hours
Color Rendering Index:	90+
Brightness Adjustability:	Continuous dimming (touchstrip)
Material:	Aluminum, plastic
Safety Rating:	C-UL-US Certified
Warranty:	5 years
Voltage:	100-240V

Focaccia Solo



LEED Information

Integrative Process

To support high-performance, cost-effective project outcomes through an early analysis of the interrelationships among systems. Konzept's LED desktop and task lighting provides finer control over lighting levels in occupied spaces. With personal lighting in place, elimination or downsizing of building lighting systems is possible.

Interior Lighting

To promote occupants' productivity, comfort and well-being by providing high-quality lighting. Konzept's portable task lighting products provide more than three lighting levels that occupants can easily adjust to suit their needs. Furthermore, all Konzept lighting products use high quality LED light sources with CRI over 90 and L90 rated lifespan over 60,000 hours. Desktop and task personal lighting also provide the opportunity to reduce overhead lighting.

Mounting Options/Accessories*

