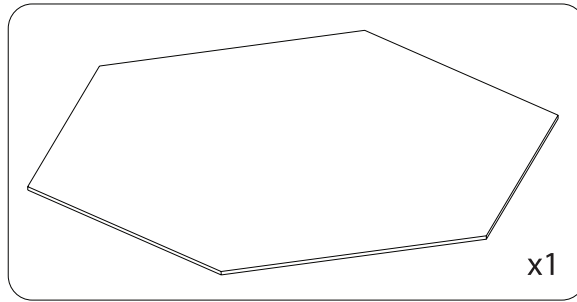
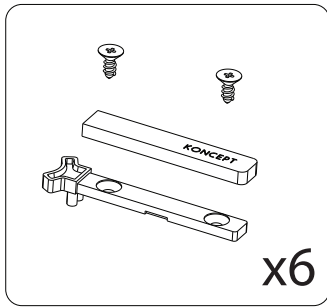
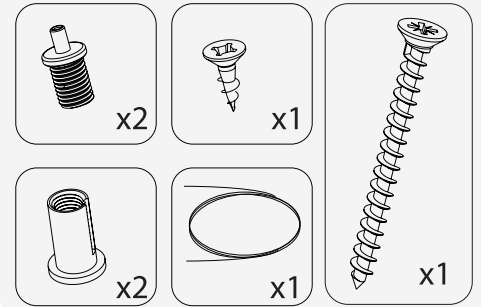


Acoustic Panel Installation

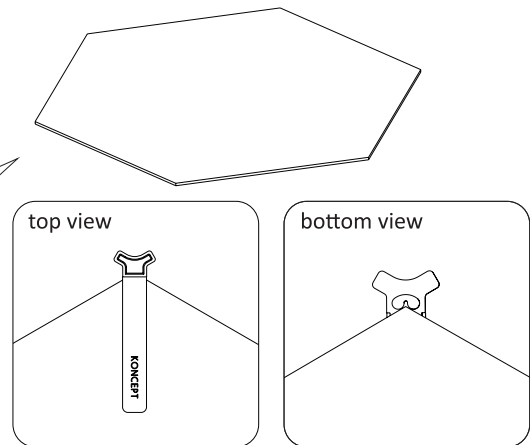
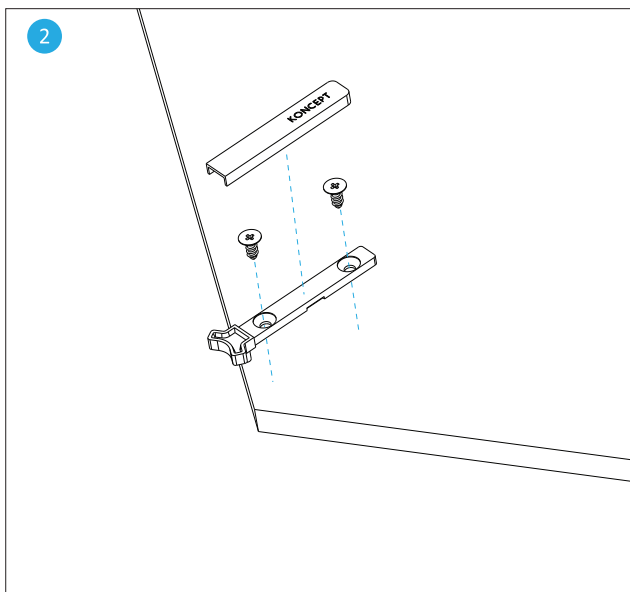
1



Included in 24" hexagon panel only

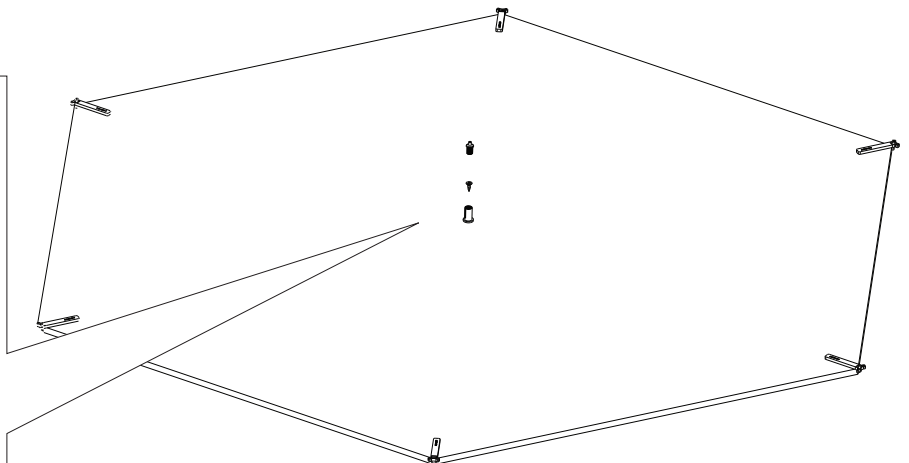
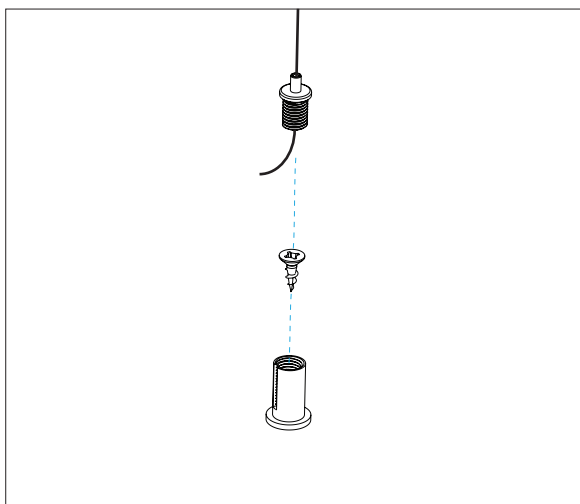


2



Secure the clear plastic holder with screws to a corner of the hexagon acoustic panel. Make sure the protruding part of the clear plastic holder is sitting tight against the corner of the panel (see bottom view). Repeat the same for all 6 corners. Be sure not to overscrew as it may damage the acoustic panel and the screws would not be able to be securely mounted.

3a Step for 24" version of Honeycomb only



Locate the center location of the hexagon panel. Using the provided short screw and a screw driver, affix the holder to the center location. Then, fit the provided wire through the cable gripper and screw the cable gripper into the holder.

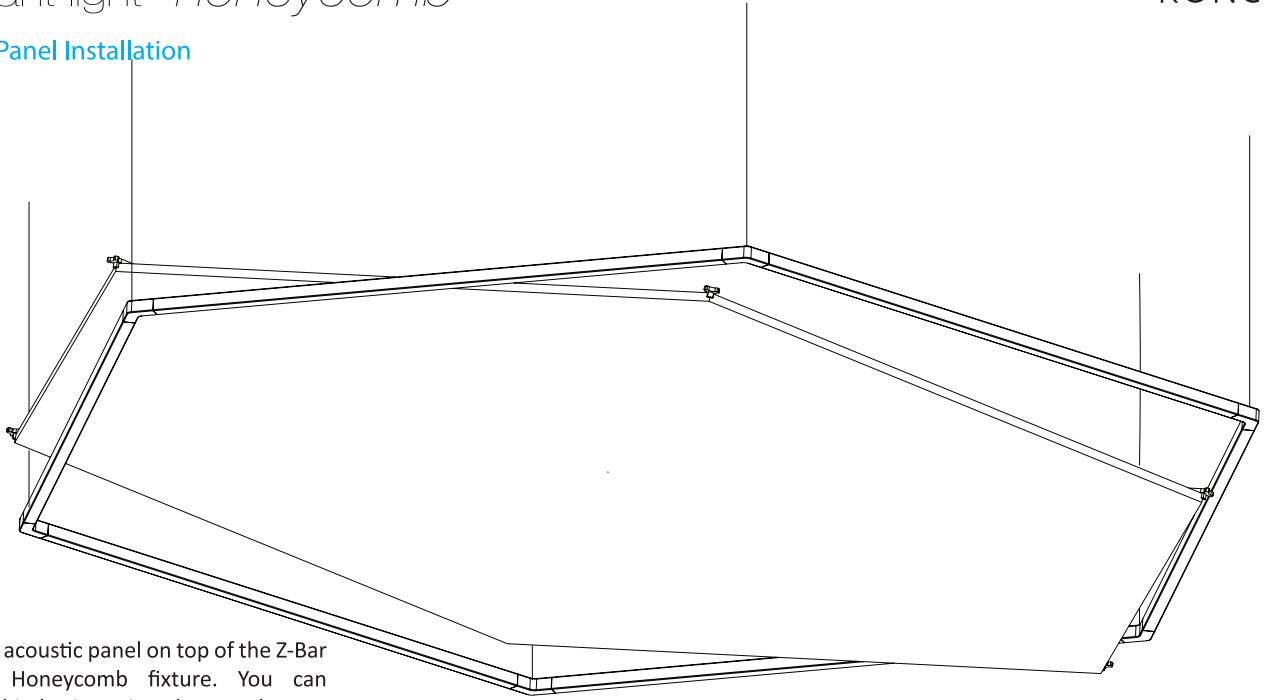
3b Step for 24" version of Honeycomb only

On the ceiling directly above where the Z-Bar pendant Honeycomb is installed, locate and mark the center location of the hexagon. Using the provided long screw and a drill, affix the holder to the center location on the ceiling. Then, fit the wire through the cable gripper, and screw the cable gripper into the holder.



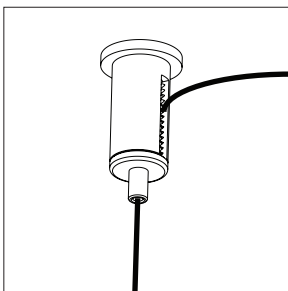
Acoustic Panel Installation

4

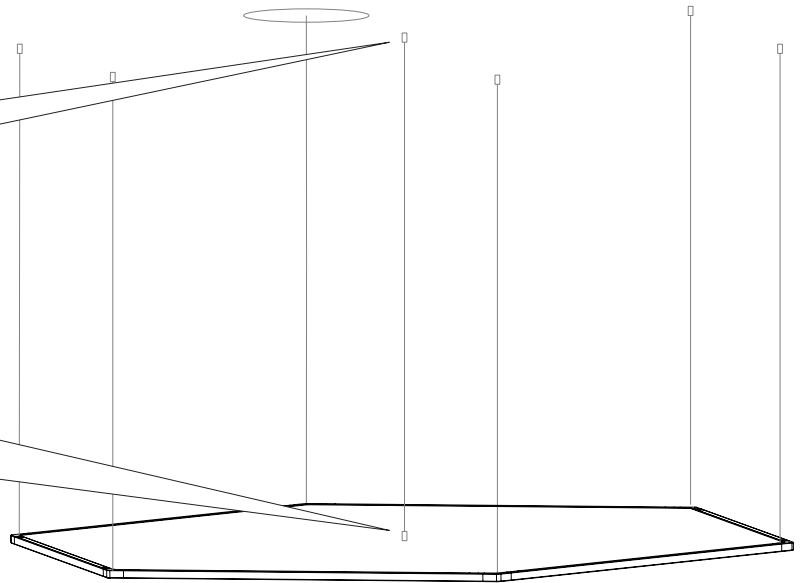
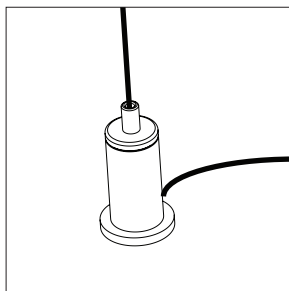


Place the acoustic panel on top of the Z-Bar Pendant Honeycomb fixture. You can achieve this by inserting the panel at an angle from below the fixture. Make sure the clear plastic holders installed in step 2 sit snugly on the corners of the pendant fixture.

5 Step for 24" version of Honeycomb only



Adjust the wire until there is no bowing in the acoustic panel. If the wire is too tight, you may release the wire by pressing in the "nozzle" of cable gripper.



Enjoy your new acoustic panel!