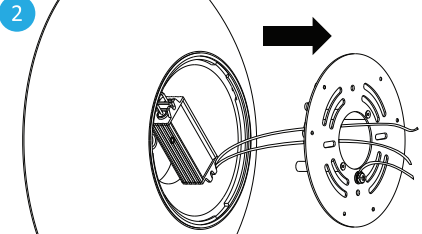
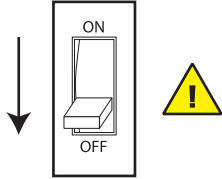




The following instructions is for installing Ramen with the Back Dish unit.

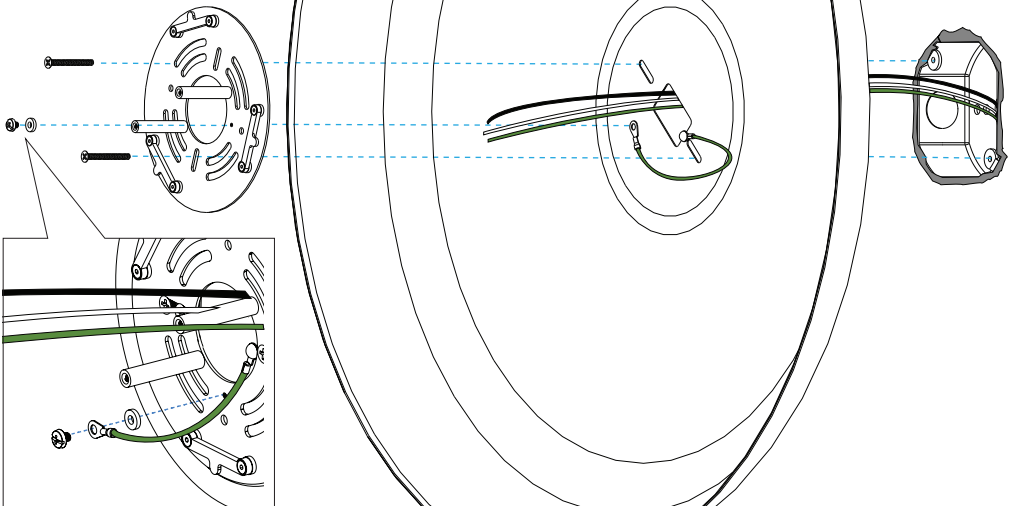
- 1 Shock Hazard.** Electric shock could result in serious injury or death. Make sure circuit breaker is set to OFF before installation. Must be installed by a qualified electrician.



Loosen the back plate from the Ramen sconce.

- 3** Secure the back plate, sandwiching the Back Dish to the junction box with the provided screws.

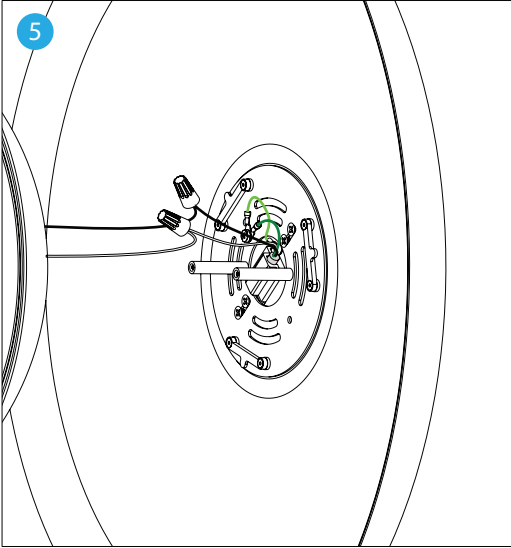
For Wet Location Installation: After Back Dish is secured to the junction box, use clear caulking (i.e. indoor/outdoor silicone sealant) to outline the outside of Back Dish where it meets the wall.



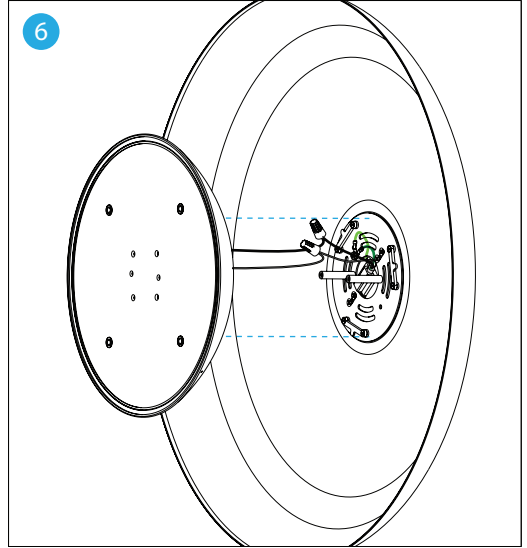
- 4** After backplate is secured to the Back Dish, use the provided screw and washer to connect the ground wire between the backplate and the Back Dish.



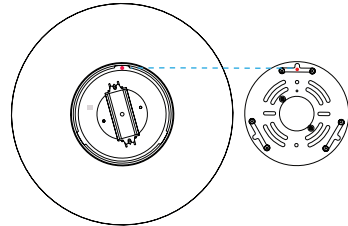
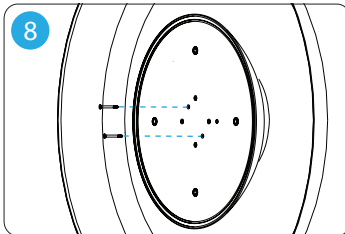
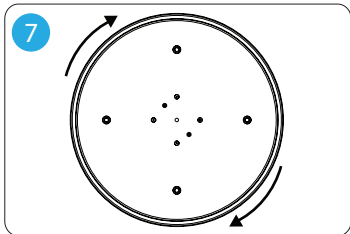
The following instructions is for installing Ramen with the Back Dish unit.



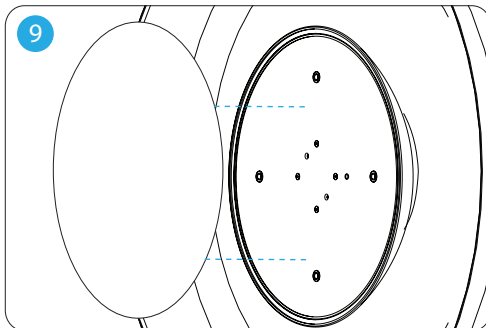
Using the provided wire nuts, connect Live (Black) cable to the Live wire from the mains source, and White (Neutral) to the Neutral wire from the mains source.



Insert the Ramen wall sconce onto the backplate on the wall by aligning the slots. Align the slots where the red dots are.



Once the Ramen wall sconce is inserted onto the backplate Secure Ramen wall sconce with the 2 provided screws on the wall, rotate it clockwise until it clicks into place.



Finally, magnetically put on cover plate.

Model	RMW
Light Color	Soft warm
Light Temperature	3000 K
Dimmer compatibility	ELV dimmer

Register your Koncept LED lamp online and receive:

- One Year Warranty Extension
- Priority Product Servicing

Visit www.koncept.com/productsupport and enter your serial number (S/N: XXXXXXXX) located on your product.



Warning: To reduce the risk of fire, electric shock or injury:

- Do not handle plug or appliance with wet hands
- Do not stare directly at LEDs



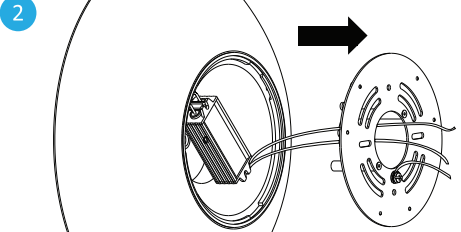
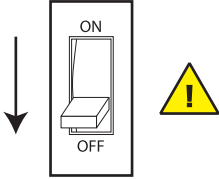
Overheating may result in reduced LED lifespan:

- Remove plastic bag from lamp before use.



The following instructions is for installing Ramen with the Back Dish.

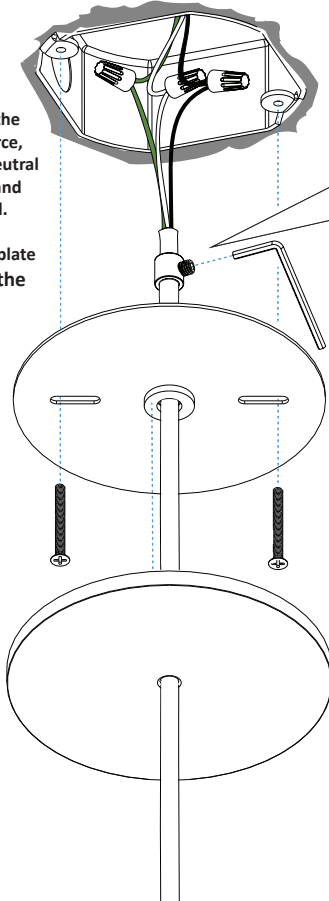
- 1 Shock Hazard.** Electric shock could result in serious injury or death. Make sure circuit breaker is set to OFF before installation. Must be installed by a qualified electrician.



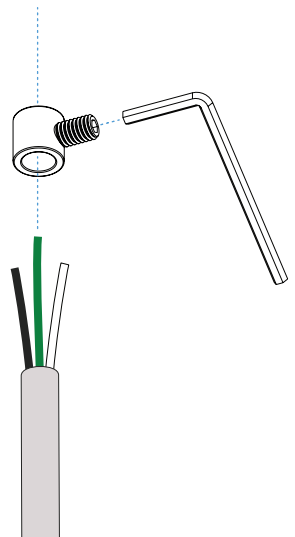
Loosen the back plate from the Ramen sconce.

3

Using the provided wire nuts, connect Live (Black) cable to the Live wire from the mains source, and White (Neutral) to the Neutral wire from the mains source, and Ground (Green) to the ground. Using the two long machine screws, secure the mounting plate to the canopy. Then, put on the magnetic cover



Decide on cable length, measure and tighten the provided knot on the cable at the desired length.

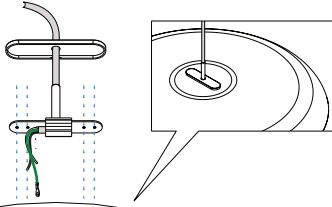




The following instructions is for installing Ramen with the Back Dish.

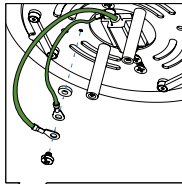
4

Place the cable with the tee to the Back Dish, secure the circular backplate sandwiching the Back Dish with the four provided short screws.



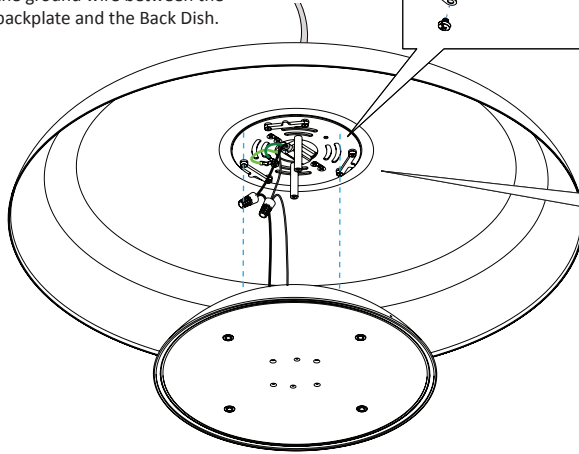
5

After backplate is secured to the Back Dish, use the provided screw and washer to connect the ground wire between the backplate and the Back Dish.

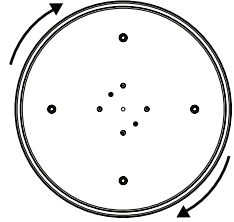


6

Insert the Ramen wall sconce onto the backplate by aligning the slots. Align the slots where the red dots are.

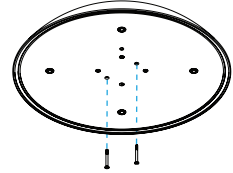


7



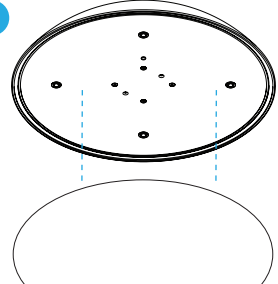
Once the Ramen is inserted onto the backplate, rotate it clockwise until it clicks into place.

8



Secure Ramen with the 2 provided screws.

9



Finally, magnetically put on cover plate.

