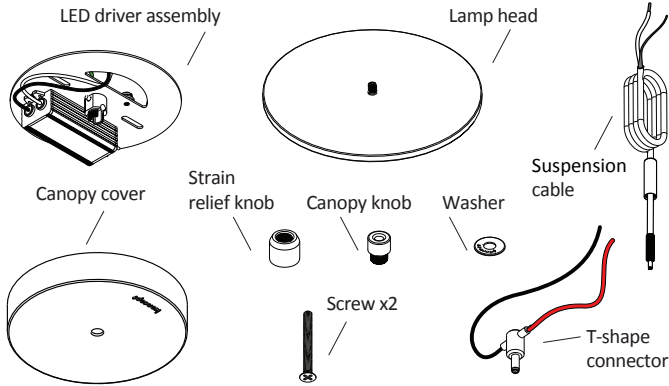


Yurei pendant

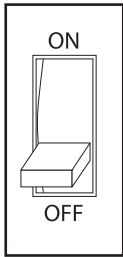
Assembly Instructions Suspension mount



For video instructions, or instructions in other languages, please scan the QR code, or visit www.koncept.com/Yurei



1

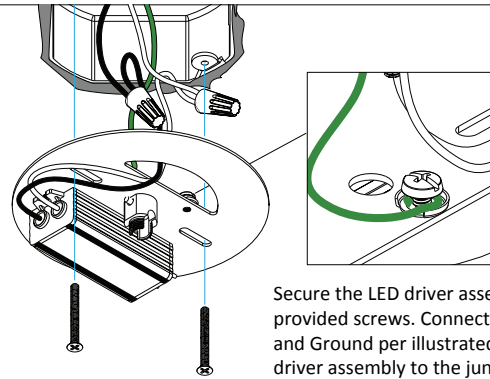


*Your circuit breaker may look different.



Shock Hazard. Electric shock could result in serious injury or death. Make sure circuit breaker is set to OFF before installation. Must be installed by a qualified electrician.

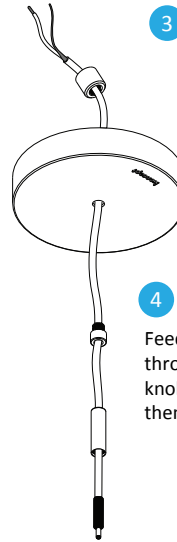
2



Secure the LED driver assembly using the provided screws. Connect Hot, Neutral and Ground per illustrated and affix LED driver assembly to the junction box

3

Cut the cable (from the top) to desired length and splice the cut end. The core wire (white) and the metallic shielding should be separated as shown.



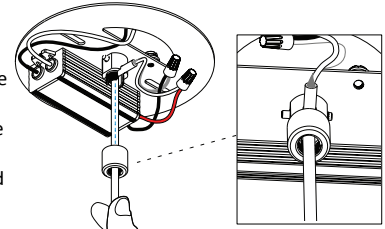
4

Feed the suspension cable through screw cap, the canopy knob, the canopy cover, and then the Strain relief knob.

5

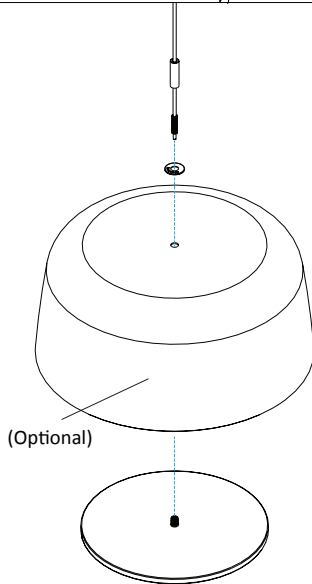
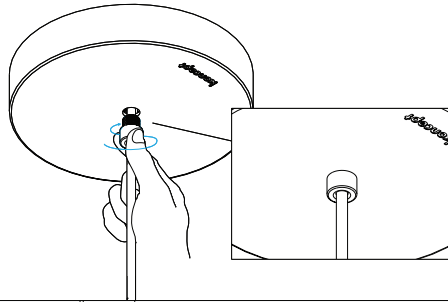
Place the suspension cable into the holding cup, and have the cable exit from the slit on the side. Tighten Strain relief knob to hold it in place.

Connect the LED driver output wires to the suspension cable. Connect the red wire to the white core wire. Connect the black wire to the metallic shielding.



6

Place the suspension cable horizontally into the holding cup, and screw in the provided canopy knob to hold it in place.



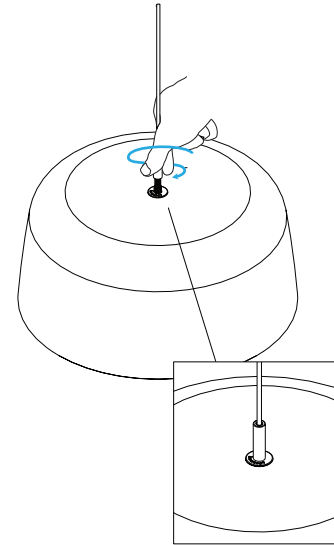
7

Connect the cable to the pendant head.

Optional: Sandwich a lamp shade in the middle. Place the provided washer on top of the shade (or the lamp head if not using a shade).

8

Tighten the screw cap to secure the connection to the pendant lamp head.



Specifications

Yurei pendant (Single)

Model	YUP-S1-SW-???
-------	---------------

Yurei pendant with lamp shade (Single)

Model	YUP-S1-SW-???+?????
-------	---------------------

Koncept Inc.
429 E. Huntington Drive
Monrovia, CA 91016, USA
Phone: 323-261-8999
Fax: 323-261-8998

Customer Support:
support@koncept.com

Web Address:
www.koncept.com

koncept