



Desk

Dynamic. Efficient. Flexible.

Splitty desk lamp

Designers
Kenneth Ng, Edmund Ng

Red Dot Design Award 2018
iF Design Award 2018
Best of NeoCon GOLD 2017
Interior Design Best of Year Honoree 2017

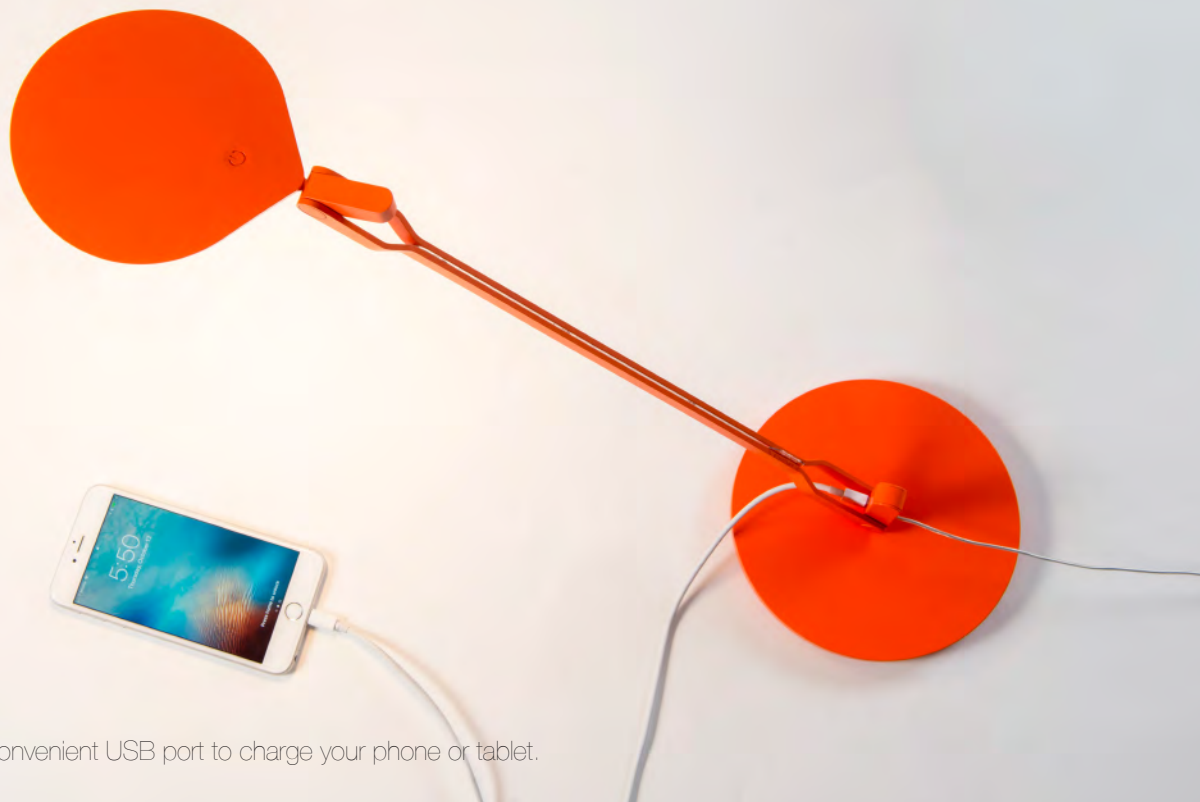
Splitty desk lamp is the flagship product in the Splitty line. Splitty desk lamp features fluid motion and ultra flexibility. It can be posed in a multitude of ways, making the 17" high lamp one of the most flexible lights on the market. The curved, droplet-shaped LED head reflects the root of its inspiration. The unusual split arm design acts as a power transmitter and creates a smooth, minimalist silhouette.



Splitly's unique joint design allows for incredible articulation. Bend the lamp's body forward and back and rotate around the base. Bend the LED head forward and back and rotate 360°



Splitly is available in seven finishes. Introduce a quirky pop of color into your space or choose a classic finish such as matte black or silver.



Discreetly embedded in the joint is a convenient USB port to charge your phone or tablet.

9 Hour Shutoff

To further build upon energy efficiency, Koncept designers installed an auto shut-off mechanism into the Splitty. After 9 hours of being powered on, the lamp will power itself off. This coincides with working hours, so is especially effective in a commercial setting with multiple lamps.



Splitty Pro

The "pro" version of Splitty features a 2A USB port for rapid charging. It also features an occupancy sensor that powers the lamp off after 15 minutes of no activity in the immediate area. This sensor maximizes the already-high energy efficiency.

Mounting Options

The standard Splitty Desk Lamp was designed to encompass a minimal footprint. Koncept designers amplified this idea by ensuring the lamp is compatible with a variety of Koncept's mounting options. When users incorporate desk clamps, grommet mounts and hardwire wall mounts, they automatically create more desk space. The lamp's power cord is barely visible with these mounts. The Qi base provides quick and easy charging for compatible phones. Users can simply place their phone on the base, and the device will automatically begin charging.

Hardwire Wall Mount



Desk Base (standard)



Wireless Charging Qi Base



Two-piece Clamp One-piece Clamp



Grommet Mount



Wall Mount



Slatwall Mount



Through-table Mount



Splitty with hardwire wall mount



Splitty with grommet mount



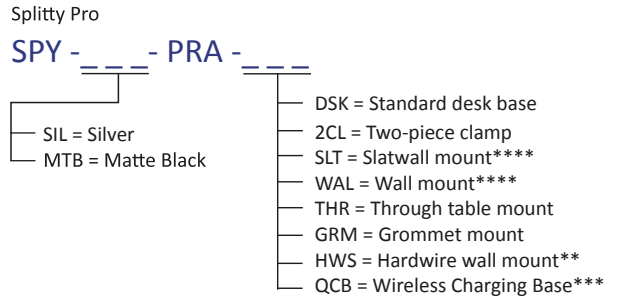
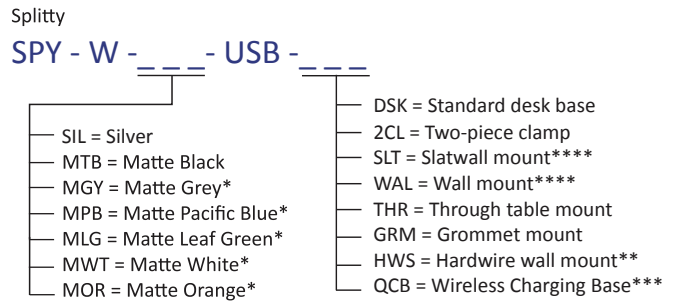
Splitty with one-piece desk clamp

Limited finishes available on mounting options. See the SKU breakdown two pages ahead or visit koncept.com/splitty for more information.

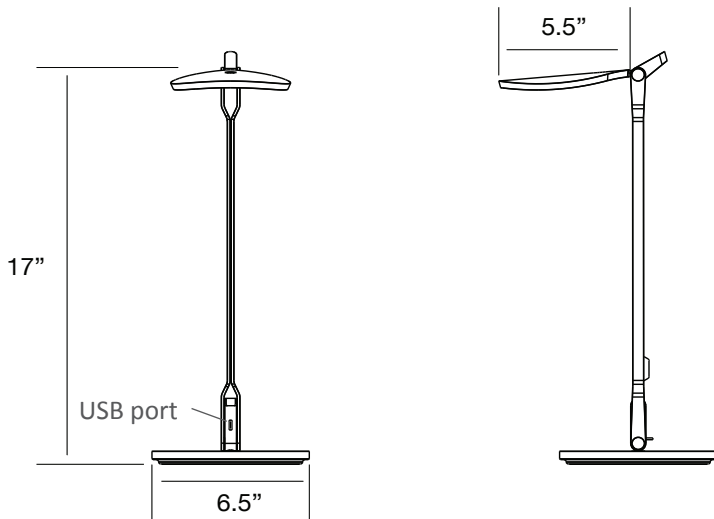


	Splitty	Splitty Pro
Color Temperature:	Warm (3,500 K)	Soft Warm (2,700K) ~ Daylight (5,000K)
USB port:	1A (USB-A)	1.5A (USB-C)
Occupancy Sensor:	N/A	Built-in
Lumens:		500
Footcandles:		117
Lux:		1259
Energy Consumption:		7 W
Color Rendering Index (CRI):		90
Rated Lifespan:		50,000 hours
Brightness Adjustability:		Continuous dimming
Material:		Aluminum, plastic
Safety Rating:		C-UL-US Certified
Voltage:		120V
Standard Finishes:	Silver, Matte Black, Matte White*, Matte Grey*, Matte Pacific Blue*, Matte Leaf Green*, Matte Orange*	

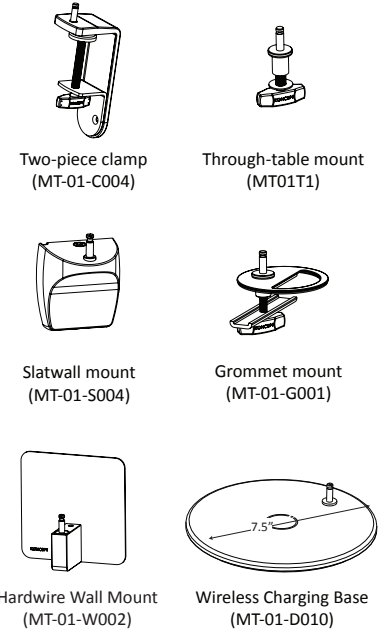
*Finish not available for Splitty Pro
 **Available in silver, matte white, matte black only
 ***Available in silver, matte black only
 ****Available in silver only



Dimensions



Mounting Options for all Splitty series desk lamps***



***Limited finishes available on mounting options. Visit koncept.com/splitty for more information.

LEED Information

Integrative Process

To support high-performance, cost-effective project outcomes through an early analysis of the interrelationships among systems.

Koncept's LED desktop and task lighting provides finer control over lighting levels in occupied spaces. With personal lighting in place, elimination or downsizing of building lighting systems is possible.

Interior Lighting

To promote occupants' productivity, comfort and well-being by providing high-quality lighting.

Koncept's portable task lighting products provide more than three lighting levels that occupants can easily adjust to suit their needs. Furthermore, all Koncept lighting products use high quality LED light sources with CRI over 80 and L70 rated lifespan over 50,000 hours. Desktop and task personal lighting also provide the opportunity to reduce overhead lighting.

Photometrics: Light source placed 15" away from work surface

