



Contemporary Spotlight

Focaccia family

Designers
Kenneth Ng, Edmund Ng

Best of NeoCon GOLD 2022

Desk

Floor

The Focaccia family is a modern and versatile task lighting solution for any space. The Desk, Solo and Floor models feature a slim and flexible body design, with a diffused square spotlight head. The lamps offer tunable light color, ranging from warm to white, an occupancy sensor, and include a USB-C charging port to charge your devices. The Focaccia family is perfect for any contemporary workspace or living space looking to add a sleek and energy-efficient design.

**Desk**

Contemporary Spotlight

Focaccia desk lamp

Designers
Kenneth Ng, Edmund Ng

Best of NeoCon GOLD 2022

The Focaccia Desk Lamp provides a sleek and modern solution for any workspace, home office, and more. The lamp is designed with a slim and flexible body that can be bent at the joints, and swiveled at the base. The Desk model features two arms for a long reach and extension for your tasks. The diffused square spotlight head is able to adjust light color from 2700 K (warm) to 5000 K (white), and brightness level with a touch strip on the top. Additionally, the Desk model includes an occupancy sensor, and a USB-C charging port for charging devices. This contemporary lamp is both functional and stylish.

The Focaccia Desk Lamp was designed to encompass a minimal footprint. Koncept designers amplified this idea by ensuring that the lamp is compatible with a variety of Koncept's mounting options. When users incorporate desk clamps, grommet mounts and hardwire wall mounts, they automatically create more desk space. The lamp's power cord is barely visible with these mounts. The Qi base provides quick and easy charging for compatible phones. Users can simply place their phone on the base, and the device will automatically begin charging.



Wireless Charging Qi Base



Two-piece clamp



Grommet mount



Slatwall mount



Wall mount



Through-table mount

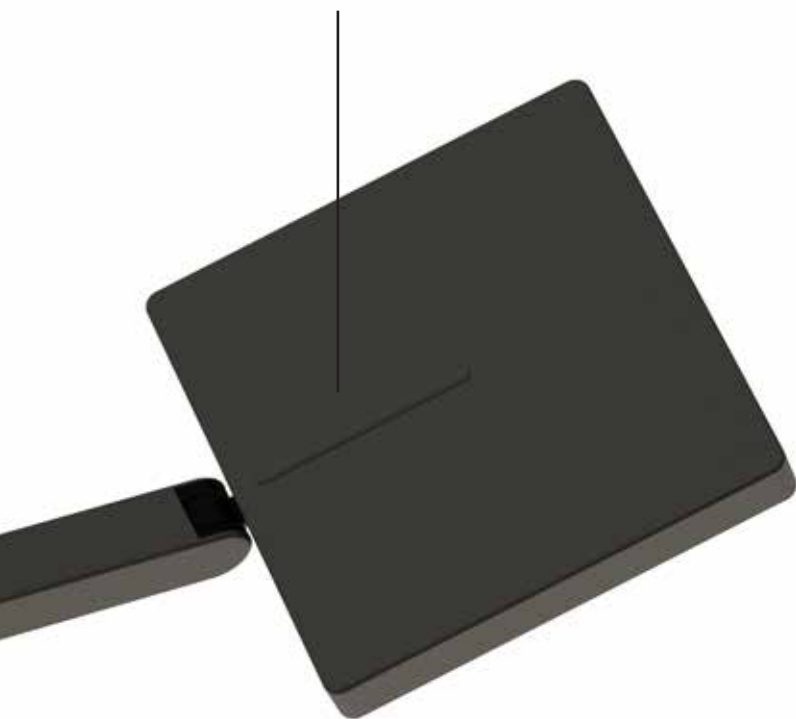


Focaccia Desk with grommet mount

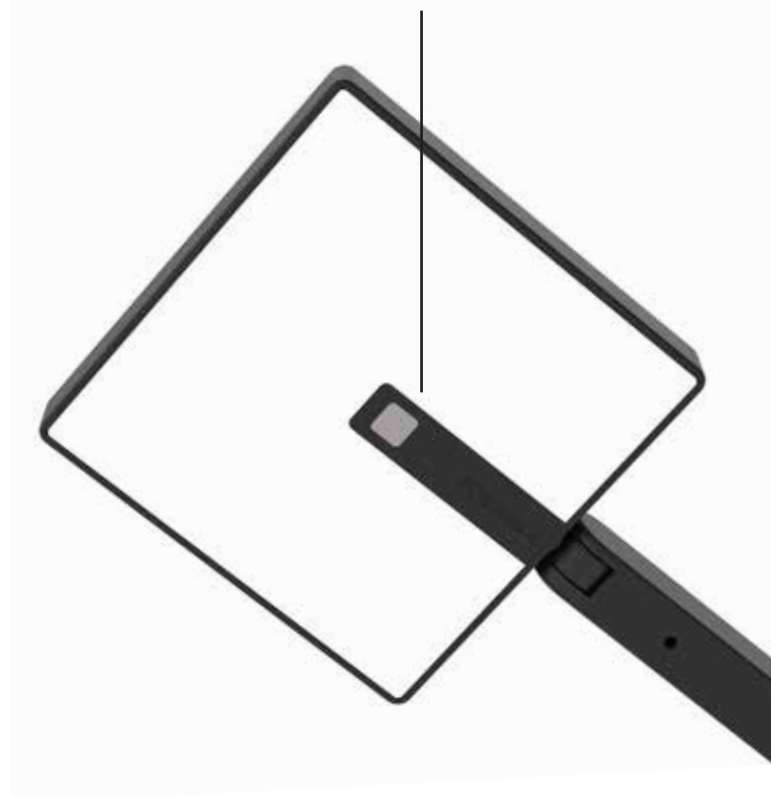


Articulate and flexible body

Touch strip to adjust brightness



Occupancy sensor & light color changing button





USB-C charging port

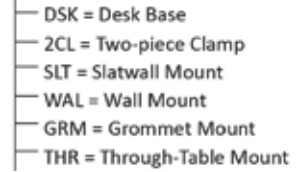
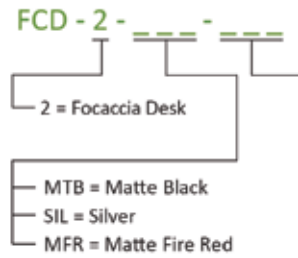


The optional wireless charging base is powered by the USB-C port on the Focaccia body.

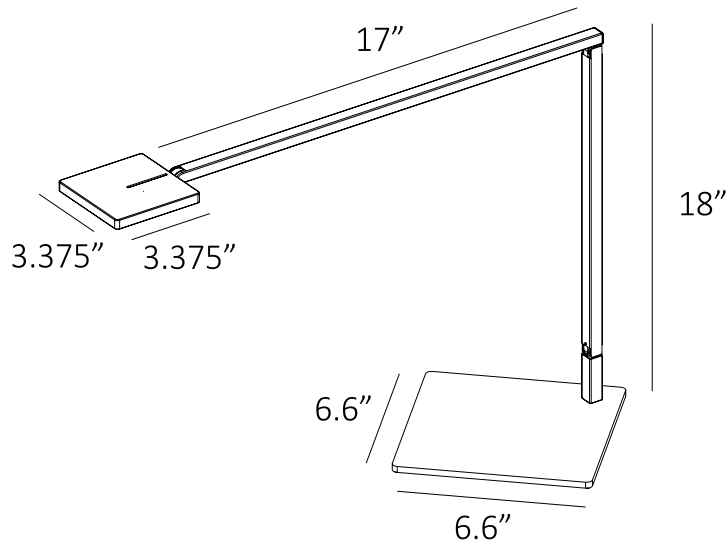
Technical Information

	Focaccia Desk
Occupancy Sensor:	Built-in
USB-C port:	Built-in
Color Temperature:	2,700K - 5000K
Lumens:	460
Energy Consumption:	7 W
Standard Finishes:	Matte Black, Silver, Matte Fire Red
L-90 Rated Lifespan:	60,000 hours
Color Rendering Index:	90+
Brightness Adjustability:	Continuous dimming (touchstrip)
Material:	Aluminum, plastic
Safety Rating:	C-UL-US Certified
Warranty:	5 years
Voltage:	100-240V

Focaccia Desk



Dimensions



LEED Information

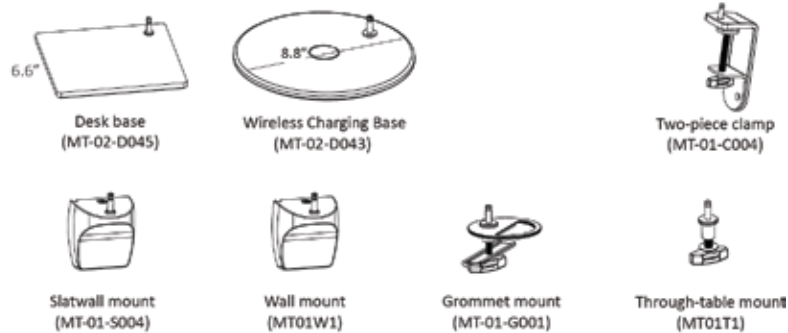
Integrative Process

To support high-performance, cost-effective project outcomes through an early analysis of the interrelationships among systems. Konzept's LED desktop and task lighting provides finer control over lighting levels in occupied spaces. With personal lighting in place, elimination or downsizing of building lighting systems is possible.

Interior Lighting

To promote occupants' productivity, comfort and well-being by providing high-quality lighting. Konzept's portable task lighting products provide more than three lighting levels that occupants can easily adjust to suit their needs. Furthermore, all Konzept lighting products use high quality LED light sources with CRI over 90 and L90 rated lifespan over 60,000 hours. Desktop and task personal lighting also provide the opportunity to reduce overhead lighting.

Mounting Options/Accessories*



*Limited finishes available on mounting options





Desk

Contemporary Spotlight

Focaccia solo desk lamp

Designers
Kenneth Ng, Edmund Ng

Best of NeoCon GOLD 2022

The Focaccia Solo Lamp is a compact version of the Focaccia Desk. It still comes standard with a slim and flexible body that can be bent at the joints, and swiveled at the base, but instead features one arm to fit into those smaller areas. The diffused square spotlight head is able to adjust light color from 2700 K (warm) to 5000 K (white), and brightness level with a touch strip on the top. Additionally, the Solo model includes an occupancy sensor, and a USB-C charging port for charging devices. This contemporary lamp is functional, stylish, and compact.

The Focaccia Solo Lamp was designed to encompass a minimal footprint. Konzept designers amplified this idea by ensuring that the lamp is compatible with a variety of Konzept's mounting options. When users incorporate desk clamps, grommet mounts and hardwire wall mounts, they automatically create more desk space. The lamp's power cord is barely visible with these mounts. The Qi base provides quick and easy charging for compatible phones. Users can simply place their phone on the base, and the device will automatically begin charging.



Wireless Charging Qi Base



Two-piece clamp



Grommet mount



Slatwall mount

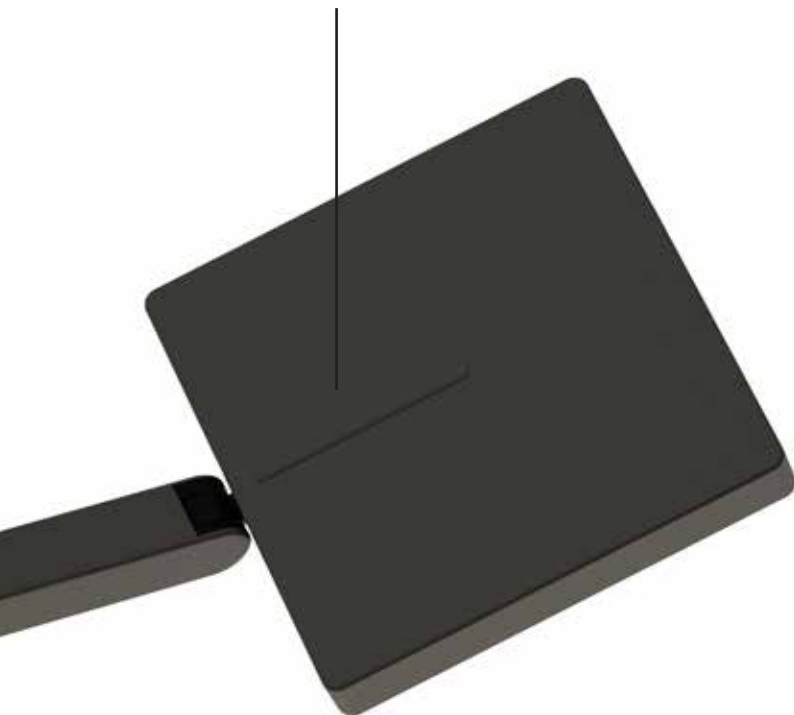


Wall mount

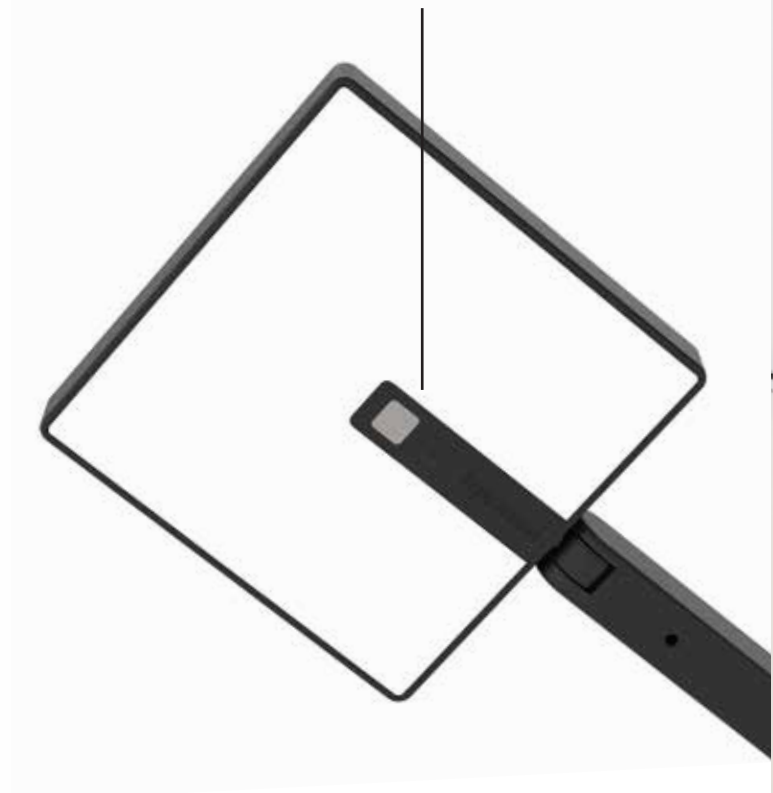


Through-table mount

Touch strip to adjust brightness



Occupancy sensor & light color changing button





USB-C charging port

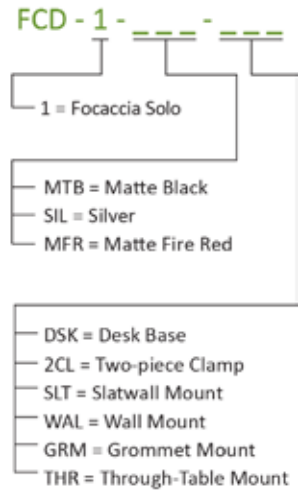


The optional wireless charging base is powered by the USB-C port on the Focaccia body.

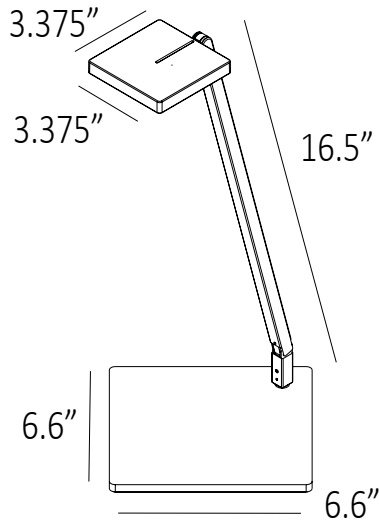
Technical Information

	Focaccia Solo
Occupancy Sensor:	Built-in
USB-C port:	Built-in
Color Temperature:	2,700K - 5000K
Lumens:	460
Energy Consumption:	7 W
Standard Finishes:	Matte Black, Silver, Matte Fire Red
L-90 Rated Lifespan:	60,000 hours
Color Rendering Index:	90+
Brightness Adjustability:	Continuous dimming (touchstrip)
Material:	Aluminum, plastic
Safety Rating:	C-UL-US Certified
Warranty:	5 years
Voltage:	100-240V

Focaccia Solo



Dimensions



LEED Information

Integrative Process

To support high-performance, cost-effective project outcomes through an early analysis of the interrelationships among systems.

Koncept's LED desktop and task lighting provides finer control over lighting levels in occupied spaces. With personal lighting in place, elimination or downsizing of building lighting systems is possible.

Interior Lighting

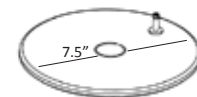
To promote occupants' productivity, comfort and well-being by providing high-quality lighting.

Koncept's portable task lighting products provide more than three lighting levels that occupants can easily adjust to suit their needs. Furthermore, all Koncept lighting products use high quality LED light sources with CRI over 90 and L90 rated lifespan over 60,000 hours. Desktop and task personal lighting also provide the opportunity to reduce overhead lighting.

Mounting Options/Accessories*



Desk base
(MT-02-D045)



Wireless Charging Base
(MT-02-D043)



Two-piece clamp
(MT-01-C004)



Slatwall mount
(MT-01-S004)



Wall mount
(MT01W1)



Grommet mount
(MT-01-G001)



Through-table mount
(MT01T1)

*Limited finishes available on mounting options



Floor

Contemporary Spotlight

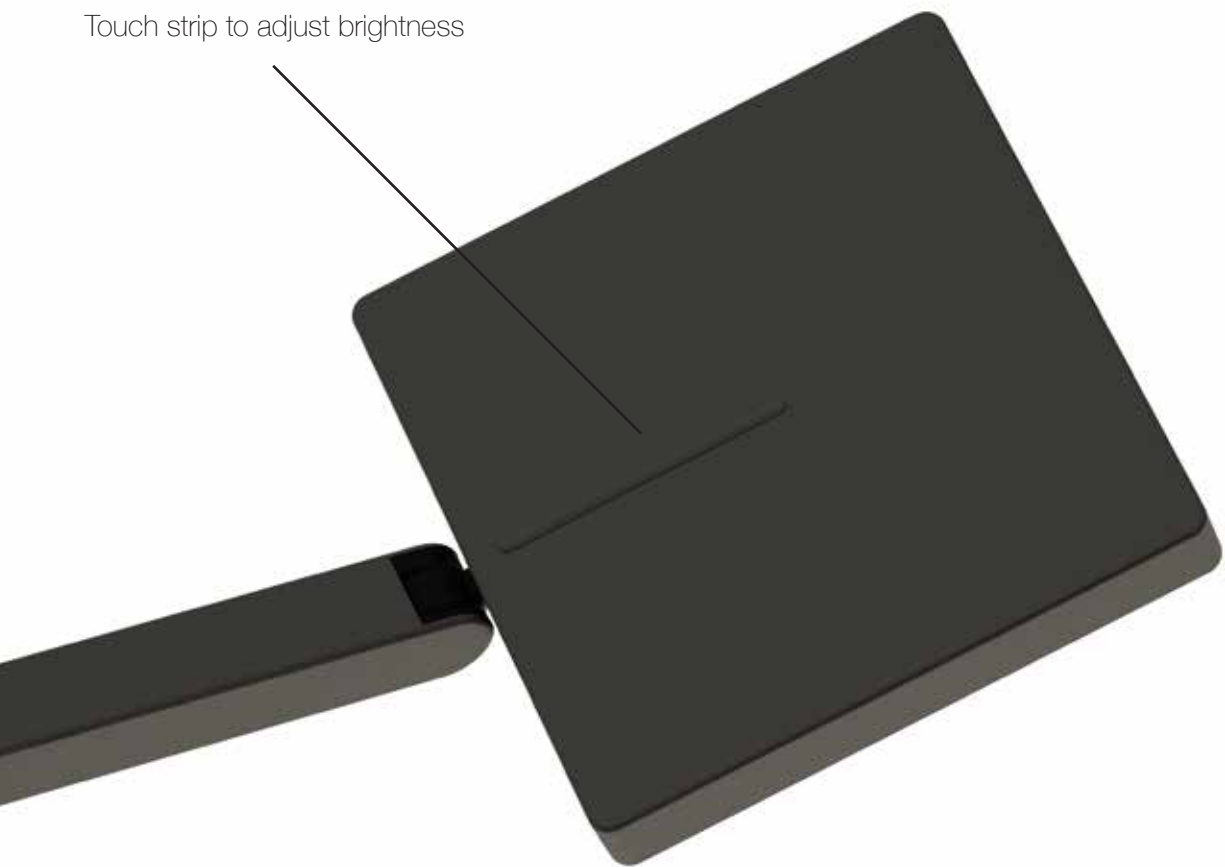
Focaccia floor lamp

Designers
Kenneth Ng, Edmund Ng

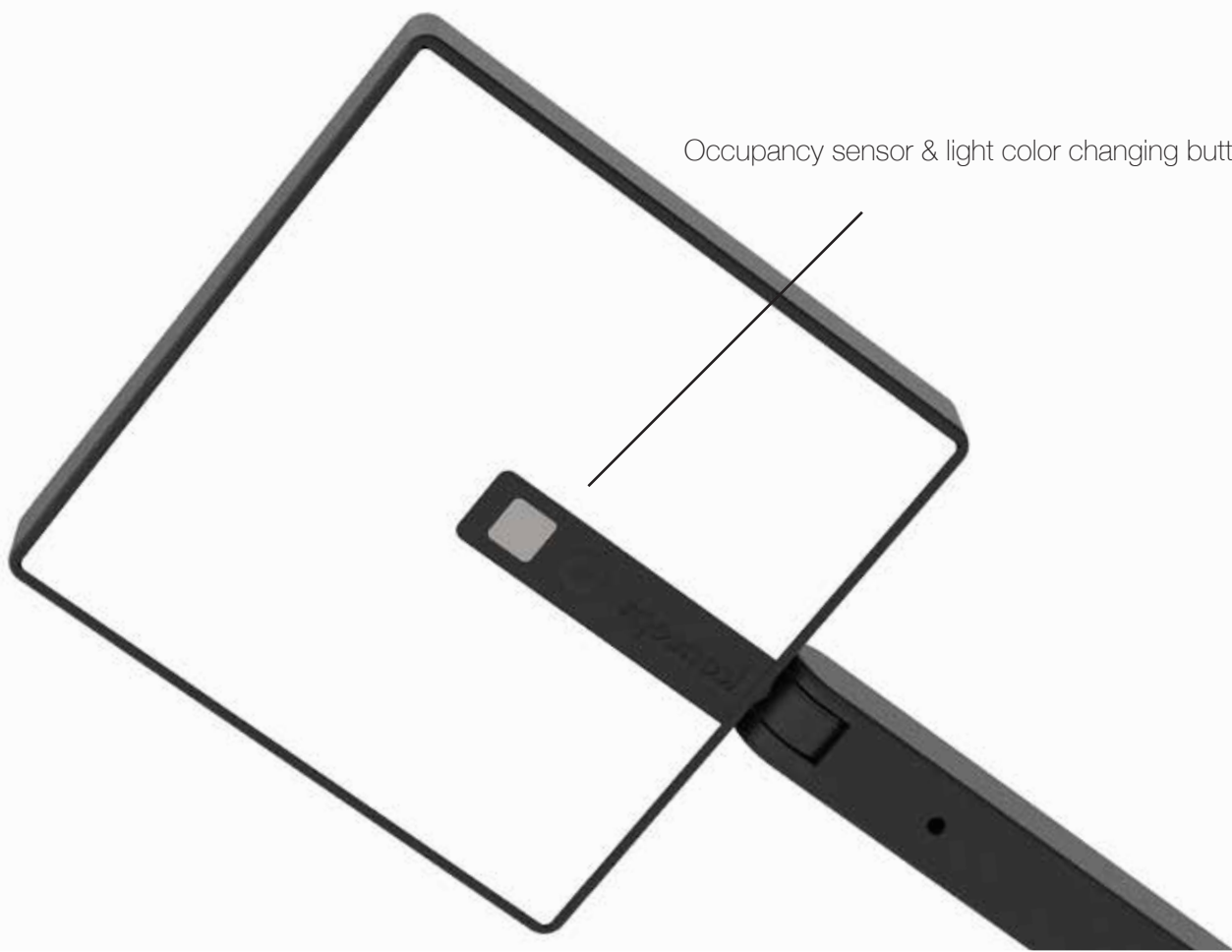
Best of NeoCon GOLD 2022

The Focaccia Floor Lamp is a long, slim and flexible spotlight that can be bent at the joints, and swiveled at the base, making it a great choice for your contemporary area. The diffused square spotlight head is able to adjust light color from 2700 K (warm) to 5000 K (white), and brightness level with a touch strip on the top. Additionally, the Floor model includes an occupancy sensor, and a USB-C charging port for charging devices.

Touch strip to adjust brightness



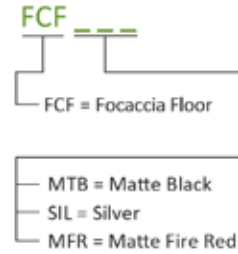
Occupancy sensor & light color changing button



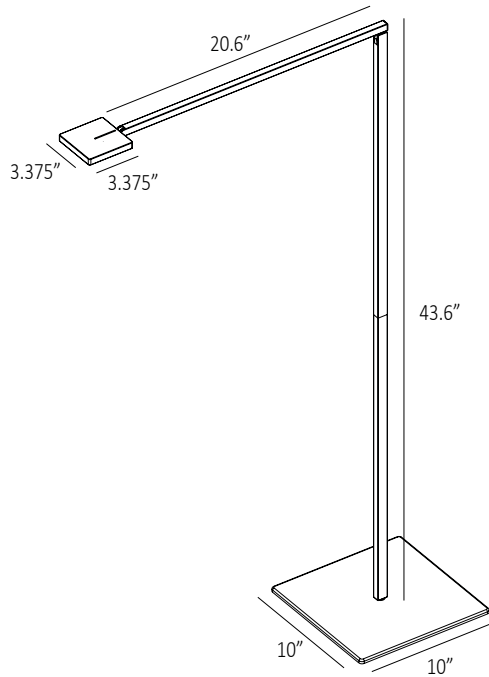
Technical Information

	Focaccia Floor
Occupancy Sensor:	Built-in
USB-C port:	Built-in
Color Temperature:	2,700K - 5000K
Lumens:	460
Energy Consumption:	7 W
Standard Finishes:	Matte Black, Silver, Matte Fire Red
L-90 Rated Lifespan:	60,000 hours
Color Rendering Index:	90+
Brightness Adjustability:	Continuous dimming (touchstrip)
Material:	Aluminum, plastic
Safety Rating:	C-UL-US Certified
Warranty:	5 years
Voltage:	100-240V

Focaccia Floor



Dimensions



LEED Information

Integrative Process

To support high-performance, cost-effective project outcomes through an early analysis of the interrelationships among systems.

Koncept's LED desktop and task lighting provides finer control over lighting levels in occupied spaces. With personal lighting in place, elimination or downsizing of building lighting systems is possible.

Interior Lighting

To promote occupants' productivity, comfort and well-being by providing high-quality lighting.

Koncept's portable task lighting products provide more than three lighting levels that occupants can easily adjust to suit their needs. Furthermore, all Koncept lighting products use high quality LED light sources with CRI over 90 and L90 rated lifespan over 60,000 hours. Desktop and task personal lighting also provide the opportunity to reduce overhead lighting.

