

Meet the Designers



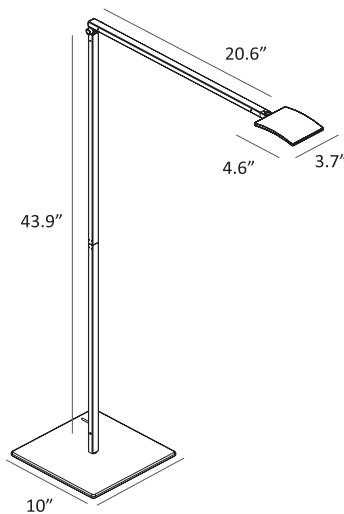
Koncept was born in 2002 when industrial designer Peter Ng and his two sons, Kenneth Ng and Edmund Ng, joined forces in order to harness years of manufacturing and industrial design experience.

The Koncept team has since designed a range of products that have significantly influenced the LED task lighting industry. Their works have been featured in major press such as TIME Magazine, Oprah Magazine and Interior Design Magazine. Koncept has earned over 50 international design awards to date, including the Red Dot Design Award, iF Design Award, and the Good Design Award.

Embracing modern, minimalist lines while maintaining rich functionalities, Koncept's designs strike the perfect balance between form and function.

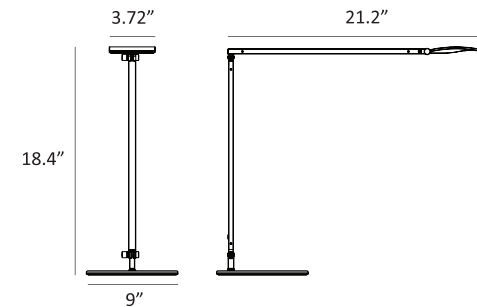
Details

- 5.5 W consumption
- 540 lumens
- 50,000 hours lifespan
- Tunable light color from 2,700 K to 5,000 K
- 83 CRI
- Continuous touch timing
- Metallic black, silver
- Multiple mounting options for desk lamp
- 10' cord



Environmental Considerations

- Fully recyclable aluminum
- Water-based paint
- FSC certified packaging
- LEDs do not contain mercury
- Low power consumption
- LEED credit eligibility



KONCEPT

Koncept
429 E. Huntington Drive, Monrovia, CA 91016
T 323.261.8999
F 323.261.8998
sales@koncept.com

koncept.com/MossoPro

endless possibilities

Mosso pro

Best of NeoCon Gold 2013
Next Generation Luminaires Best in Class 2014

By Peter Ng, Kenneth Ng, Edmund Ng
2014



Light as You Like

Available as a floor or desk lamp, Mosso Pro features adjustable arms and rotatable lamp head. Direct your light to where you need it



Charge Your Device

Charge your phone, tablet or any USB device using the desk lamp's standard USB base. A wireless charging base (sold separately) can easily charge any qi-compatible device. Mosso Pro floor lamp's lower body also features a USB port



Adjust the Light

Slide or tap anywhere on the head's control strip to power on/off and adjust brightness. Touch the lens to change the light temperature from warm to cool



Integrated Occupancy Sensor

The built-in, energy saving occupancy sensor turns the lamp off when you leave and resumes the last brightness setting when you return