

Meet the Designers



Koncept was born in 2002 when industrial designer Peter Ng and his two sons, Kenneth Ng and Edmund Ng, joined forces in order to harness years of manufacturing and industrial design experience.

The Koncept team has since designed a range of products that have significantly influenced the LED task lighting industry. Their works have been featured in major press such as TIME Magazine, Oprah Magazine and Interior Design Magazine. Koncept has earned over 50 international design awards to date, including the Red Dot Design Award, iF Design Award, and the Good Design Award.

Embracing modern, minimalist lines while maintaining rich functionalities, Koncept's designs strike the perfect balance between form and function.

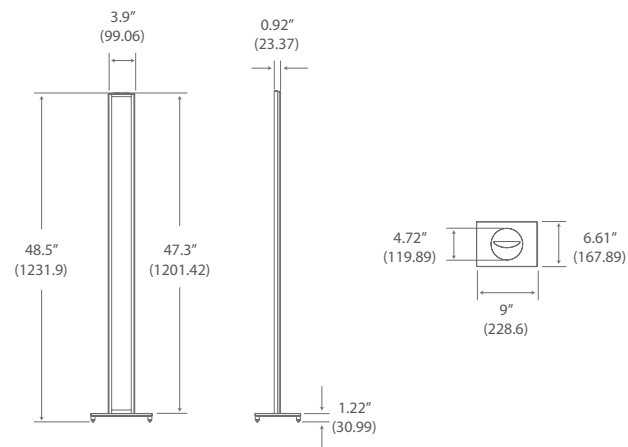
Environmental Considerations

- Fully recyclable aluminum
- Water-based paint
- LEDs do not contain mercury
- Low power consumption
- LEED credit eligibility

Details

- 600 lumens
- 18 W
- 10,000 hours lifespan
- Continuous dimming
- 10' cord
- Finish: white
- 2,700 K to 8,000 K white light color*
- 1,500 combinations of red, green & blue

*Simulated white by combination of red, green and blue light



KONCEPT

Koncept
429 E. Huntington Drive, Monrovia, CA 91016
T 323.261.8999
F 323.261.8998
sales@koncept.com

koncept.com/Tono

enrich your space

Tono

By Peter Ng, Kenneth Ng, Edmund Ng
2013

Best of NeoCon GOLD 2013
JDP's Good Design Award 2013

Swivel the Tower

Wash the wall with color or swivel the lamp around to illuminate the room



Dim the Lights

Easily dim the colors, creating a whole new mood level.



Switch to White

Tired of color? Switch to traditional white light. You can even choose from warm white (2,700 K) to cool white (8,000 K).

Mood Light

Allow Tono to gently cycle through 1500 colors, or pause on just one.

