

Advanced Simplicity

Z-BAR solo

Designer
Peter Ng

A nod to the original Z-Bar, Z-Bar Solo is a sleek solution to lighting your space. Z-Bar Solo and its smaller counterpart, Z-Bar Solo Mini, offer flexibility, dimming, a choice of warm or cool light temperatures, energy efficiency, multiple mounting options and more, all in a compact design.



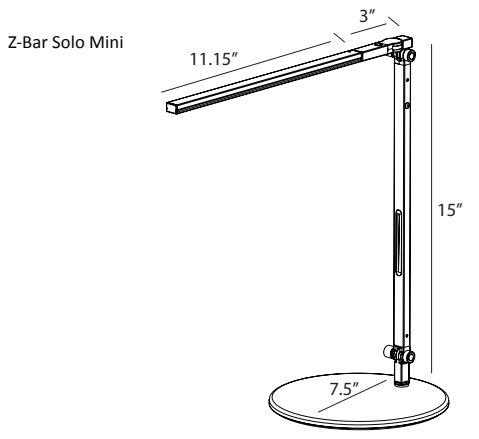
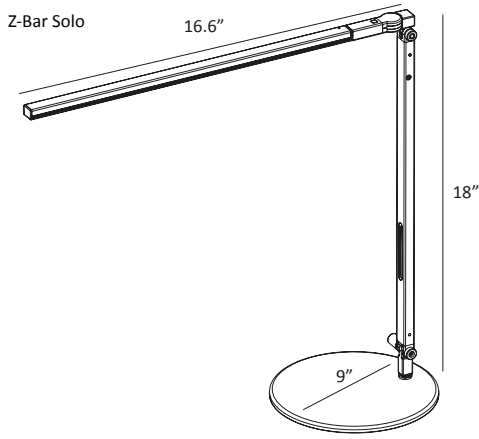
Lumens: Z-Bar Solo: 400 / Z-Bar Solo Mini: 320
Footcandles: Z-Bar Solo: 130 / Z-Bar Solo Mini: 115
Lux: Z-Bar Solo: 1399 / Z-Bar Solo Mini: 1238
Energy Consumption: Z-Bar Solo: 8.5 W / Z-Bar Solo Mini: 6.5 W
Rated Lifespan: 50,000 hours
Color Temperature: Cool (4,500 K) / Warm (3,500 K)
Color Rendering Index (CRI) : 85
Brightness Adjustability: Continuous dimming (touchstrip)
Material: Aluminum, plastic
Occupancy Sensor: Sold separately
Safety Rating: C-UL-US Certified
Warranty: 5 years
Voltage: 100-240V
Standard Finishes: Metallic Black, Silver

AR1000-

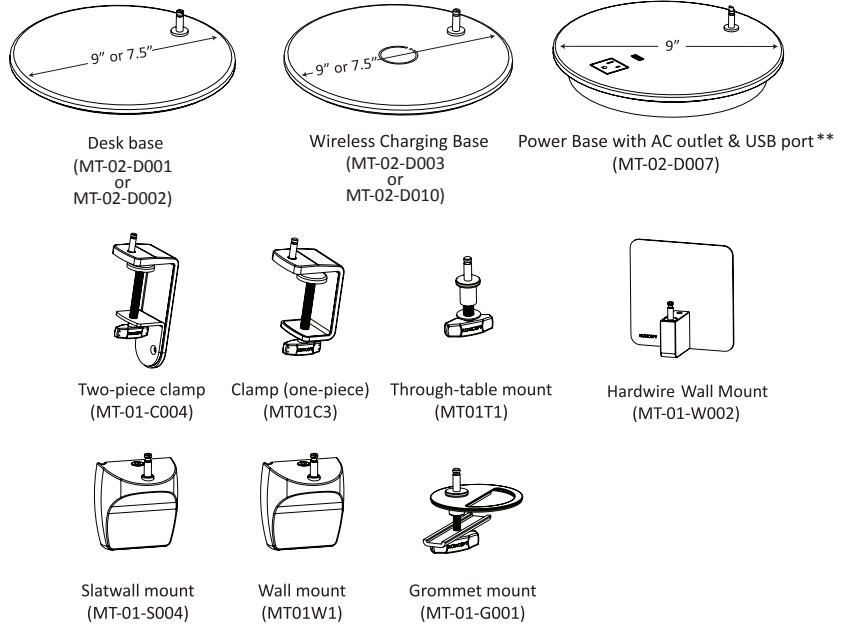
- CD = Cool White Light
- WD= Warm White Light
- MBK = Metallic Black
- SIL = Silver
- DSK = Desk Base
- CLP = Clamp (one-piece)
- 2CL = Two-piece Clamp
- SLT= Slatwall Mount
- WAL = Wall Mount
- GRM = Grommet Mount
- THR = Through-table Mount
- QCB = Wireless Charging Base
- PWD = Power Base
- HWS = Hardwire Wall Mount

AR1100-

- CD = Cool White Light
- WD= Warm White Light
- MBK = Metallic Black
- SIL = Silver
- DSK = Desk Base
- CLP = Clamp (one-piece)
- 2CL = Two-piece Clamp
- SLT= Slatwall Mount
- WAL = Wall Mount
- GRM = Grommet Mount
- THR = Through-table Mount
- QCB = Wireless Charging Base
- HWS = Hardwire Wall Mount



Mounting Options*



*Limited finishes available on mounting options
 ** Z-Bar Solo only

Accessories



Occupancy sensor (P7-01-OC01A)

Potential LEED Points

Integrative Process (Possible 2 points)

To support high-performance, cost-effective project outcomes through an early analysis of the interrelationships among systems.

Koncept's LED desktop and task lighting provides finer control over lighting levels in occupied spaces. With personal lighting in place, elimination or downsizing of building lighting systems is possible.

Interior Lighting (Possible 2 points)

To promote occupants' productivity, comfort and well-being by providing high-quality lighting. All Koncept's task lighting products provide more than three lighting levels that are easily adjustable by occupants to suit their needs. Furthermore, all Koncept's task lighting products use high quality LED light sources with CRI over 80 and L70 rated lifespan over 50,000 hours. Desktop and task personal lighting also provides the opportunity to reduce overhead lighting.

Photometrics: Light source placed 15" away from work surface

