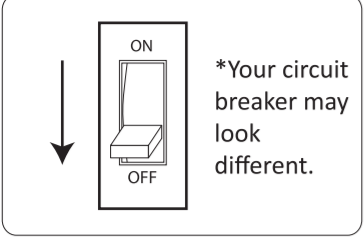


SUB

pendant light *circular 3/ circular 6*

KONCEPT

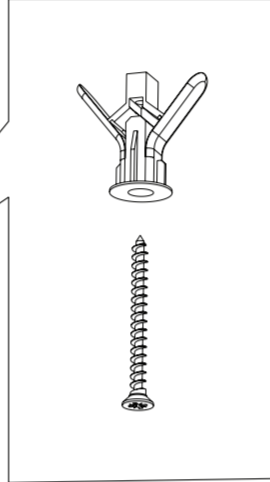
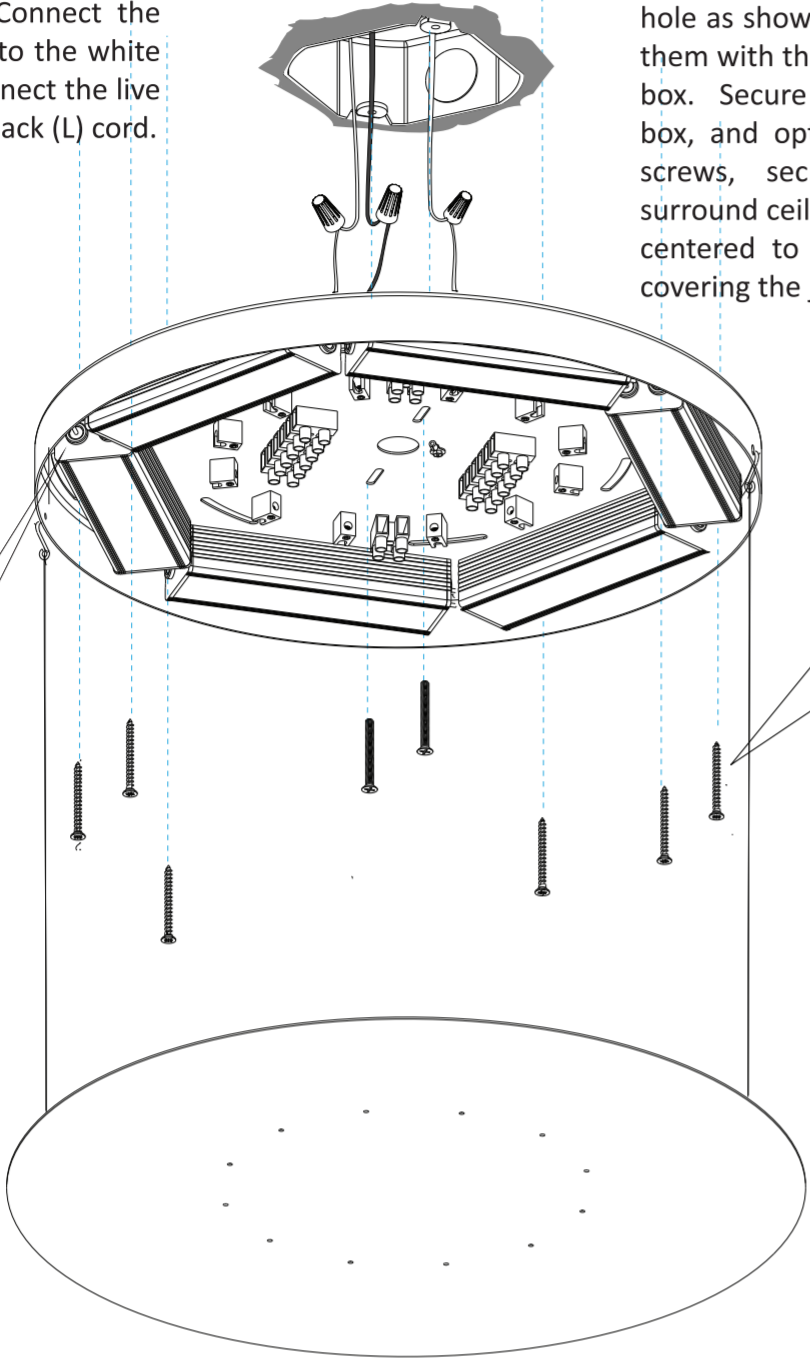
Canopy installation



Shock Hazard. Electric shock could result in serious injury or death. Make sure circuit breaker is set to OFF before installation. Must be installed by a qualified electrician.

1 Connect the AC wires using the provided wire connectors. Connect the neutral wire to the white (N) cord. Connect the live wire to the black (L) cord.

Feed the AC power cords from the LED drivers into the junction box through the hole as shown in the figure then connect them with the AC wires from the junction box. Secure the canopy to the junction box, and optionally, using the provided screws, secure the canopy to the surround ceiling. Make sure the canopy is centered to the junction box and fully covering the junction box.



Please note that drywall anchor is required for this particular installation. To install the drywall anchor, using a 3/8" drill bit, drill a hole in the wall where the drywall anchor shall be located. Fold the flaps on the side then insert anchor into the hole until it is flush with the wall. Mounting screws are provided for use with the drywall anchors. These drywall anchors should be used with drywalls with max. 1/2" thickness only.

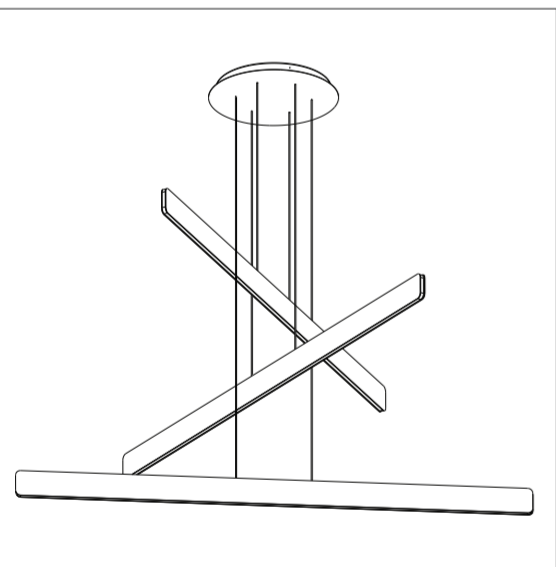
Use the provided strings to hang the cover plate from the canopy during installation

SUB

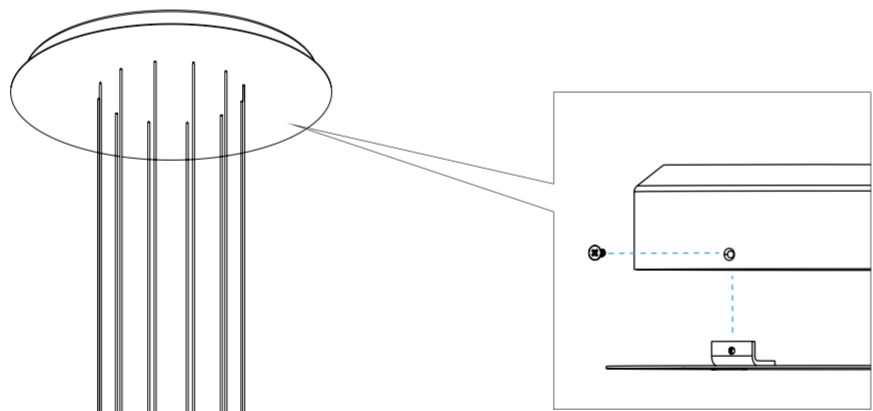
pendant light *circular 3/ circular 6*

KONCEPT

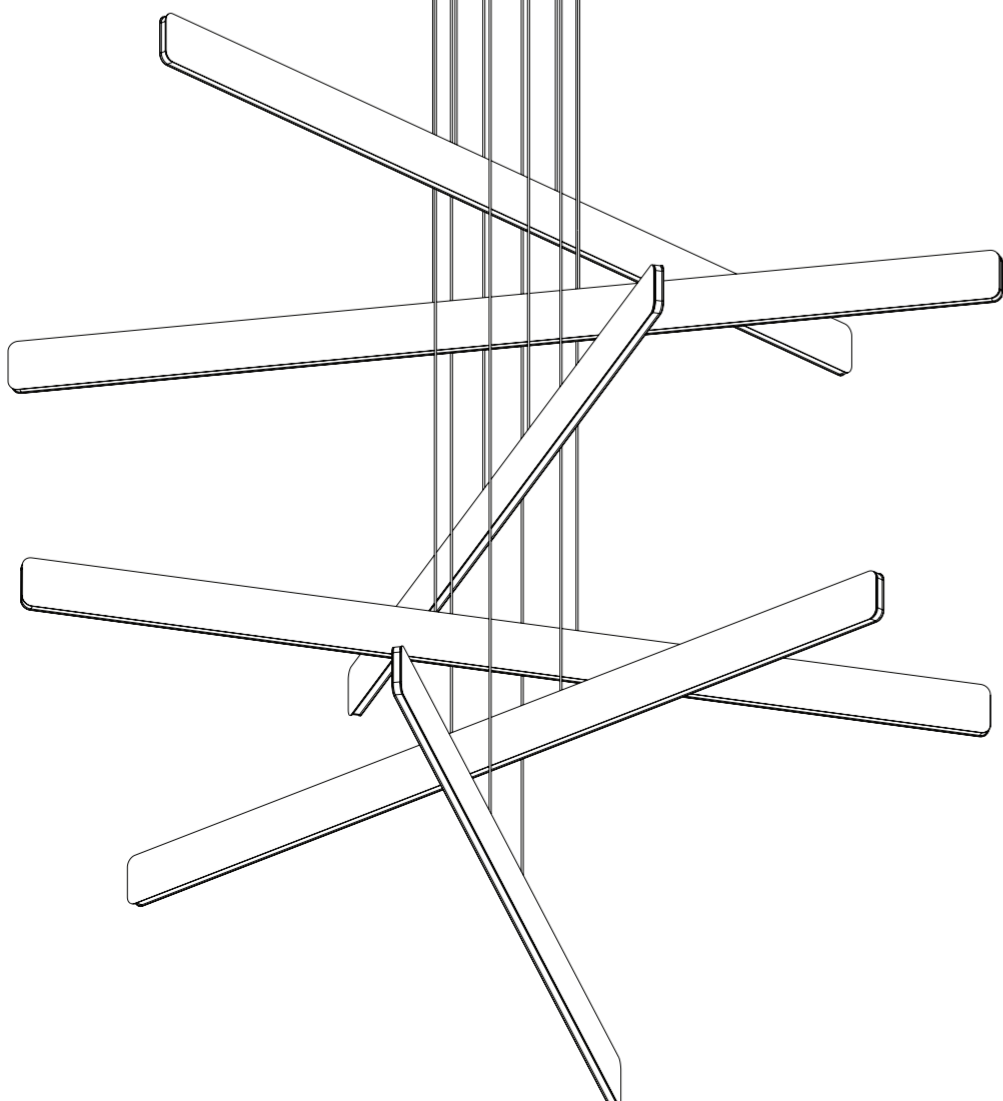
Canopy installation



Circular 3 model would look like this.



After wiring is completed, remove the hanging strings and secure the cover plate by fitting the two screws from the sides.



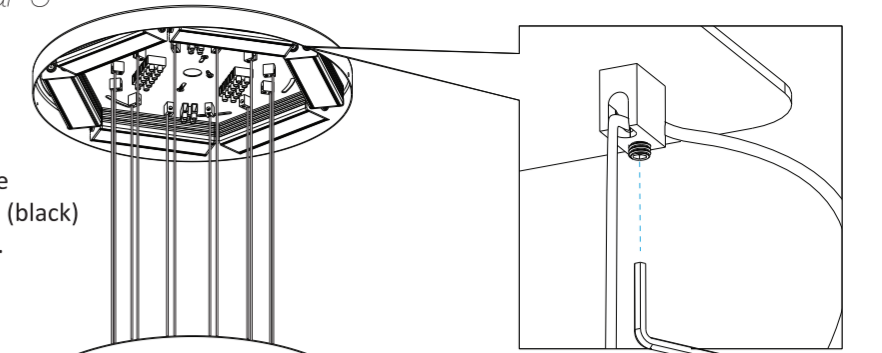
SUB

pendant light *circular 3/ circular 6*

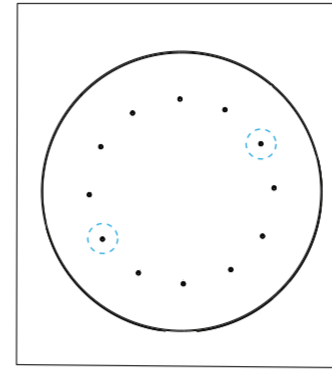
KONCEPT

Canopy installation

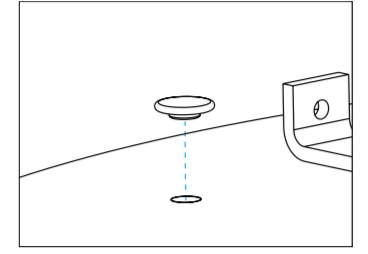
3 There are two rows of wire terminals for the positive (red wires) and negative (black wires) respectively. Connect the positive wires (red) to the positive terminals, and negative wires (black) to the negative terminals respectively. DO NOT insert more than one wire into a wire terminal.



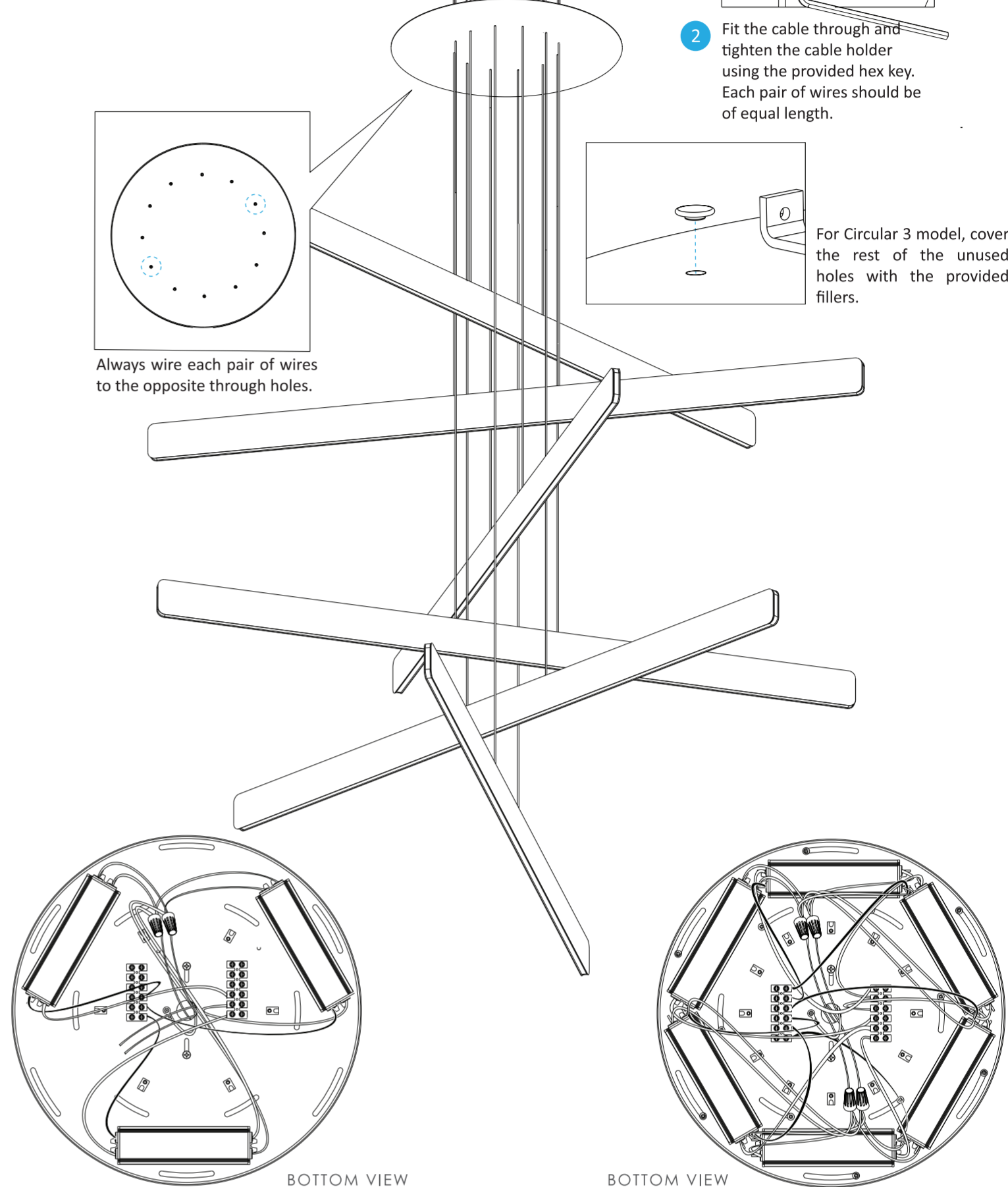
2 Fit the cable through and tighten the cable holder using the provided hex key. Each pair of wires should be of equal length.



Always wire each pair of wires to the opposite through holes.



For Circular 3 model, cover the rest of the unused holes with the provided fillers.



SUB

pendant light *circular 3/ circular 6*

KONCEPT

Five Year Limited Product Warranty

Koncept warrants to the original purchaser of this product against manufacturer defects in design, assembly, material, or workmanship, and will, at Koncept's option, replace or repair any defective product free of charge. This coverage is valid for five years from the date of purchase as long as the original purchaser owns the product. In the case of a hardwired product, this warranty is valid for one year for the LED driver specifically. Koncept will replace or repair the product, which Koncept, at its sole discretion, agrees is defective, free of charge provided that the following conditions for a return are fulfilled.

This warranty does not apply to any product damaged by accident, physical or electrical misuse or abuse, improper installation, alteration, any use contrary to its intended function, war, fire, flood, or any other acts of nature, or unauthorized repair. This warranty does not apply to the LED driver in the case of a hardwired product. A one year warranty applies to all hardwire drivers, while the five year warranty applies to the actual product.

Koncept assumes no liability for any events such as fines arising out of the use of this product or any consequential damages caused by any failure of the product to function properly. In no event shall Koncept be liable for more than the replacement of the product. This warranty does not cover shipping or labor costs associated with the replacement of a defective product. Under no circumstances should this warranty or the product covered by it be construed as an insurance policy against loss of any kind. Koncept staff neither assumes nor authorizes any person or organization to make any warranties or assume any liability in connection with the sale or use of this product.

This warranty covers only products used in the territory covered by your local distributor. This is the complete product warranty and no other warranty exists. Some jurisdictions may not allow limitations on how long an implied warranty lasts, or the exclusion or limitation of incidental or consequential damages, so the above exclusions or limitations may not apply to you. This warranty gives you specific legal rights, and you may also have other rights which vary in different states and countries.

To file a replacement/repair claim under the warranty:

- 1) Contact Koncept for a return authorization number during the warranty period. A claim will not be accepted without a return authorization number.
- 2) Provide a copy of the original purchase receipt with purchase date and product name clearly shown.
- 3) Return the defective product to Koncept, freight prepaid, accompanied by (1) and (2) to the following address: Limited Product Warranty, Koncept Inc. 429 E. Huntington Drive, Monrovia, CA 91016

Warnings

- Warning: To reduce the risk of fire, electric shock or injury:**
- Do not use in wet locations
 - Do not handle plug or appliance with wet hands
 - Do not stare directly at LEDs
- Overheating may result in reduced LED lifespan:**
- Keep out of direct sunlight.
 - Remove plastic bag from lamp before use.
 - Recommended ambient temperature: under 77 °F.

Specifications

Model	SUB-C3 / SUB-C6
Light Color	Soft Warm
Color Temperature	3000 K
Brightness Adjustability	ELV dimmers
Input voltage	120V only

Koncept Inc.
429 E. Huntington Drive
Monrovia, CA 91016, USA
Phone: 323-261-8999
Fax: 323-261-8998

Customer Support:
support@koncept.com

Web Address:
www.koncept.com

Register your Koncept LED lamp online and receive:
• One Year Warranty Extension
• Priority Product Servicing
Visit www.koncept.com/productsupport and enter your serial number (S/N: XXXXXXXX) located on your product.