

Sobre

Sobre rises above your work surface to provide both ambient and task light – and all levels in between. The Sobre LED light bar rotates to shine light directly on your desk or work area, or rotates up for perfect, ambient light. Ideal for long tables or public areas, Sobre mounts directly to the table or desk to maximize the available workspace.

Next Generation Luminaires Winner 2013
2012 Best of NeoCon SILVER

Designer

Peter Ng, Kenneth Ng & Edmund Ng

Model:	SF1-30	SF1-40
Lumens:	525	725
Energy Consumption:	11 W	14 W
Max. Connected Modules:	4	3
Rated Lifespan	50,000 hours	
Color Temperature:	Cool: 4,500 K / Warm: 3,500 K	
Color Rendering Index (CRI):	85	
Dimmer:	Built-in touchstrip	
Standard Finishes:	Metallic Black, Silver	
Material:	Aluminum, plastic	
Included Mounting:	Through table mount (included)	
Accessories:	Occupancy Sensor & Dimmer Control, Fixed 2-piece clamp mount (sold separately)	

All models capable of rotating up to 360 degrees; 180 degrees to each side

SF1-

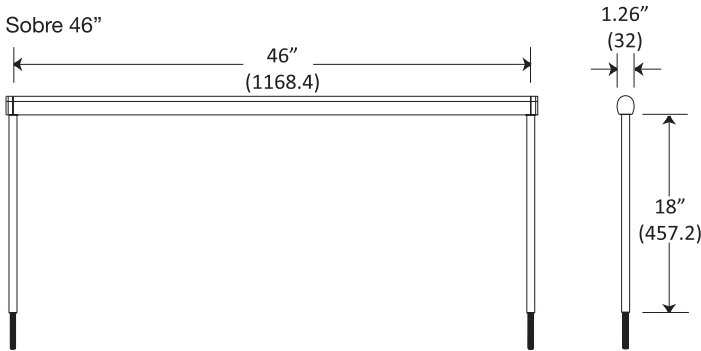
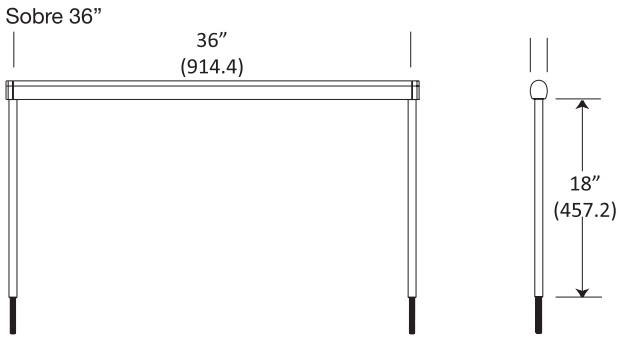
- 30 = 3' (42 LEDs)
- 40 = 4' (56 LEDs)
- 60 = 6' (84 LEDs)
- 80 = 8' (112 LEDs)
- 90 = 9' (126 LEDs)

- CD = Cool Diffused Light
- WD = Warm Diffused Light

- MBK = Metallic Black
- SIL = Silver
- WHT = White

- THR = Through Table Mount
- 2CF = Fixed 2-Piece Clamp Mount

- ODC = Occupancy Sensor and Dimmer Control (optional)



Potential LEED Points

Integrative Process (Possible 2 points)

To support high-performance, cost-effective project outcomes through an early analysis of the interrelationships among systems.

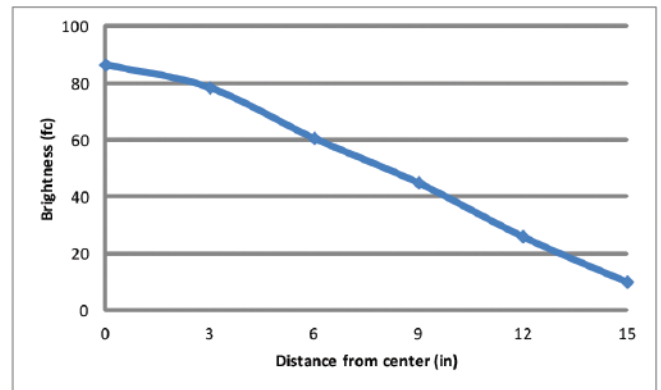
Koncept's LED desktop and task lighting provides finer control over lighting levels in occupied spaces. With personal lighting in place, elimination or downsizing of building lighting systems is possible.

Interior Lighting (Possible 2 points)

To promote occupants' productivity, comfort and well-being by providing high-quality lighting.

All Koncept's task lighting products provide more than three lighting levels that are easily adjustable by occupants to suit their needs. Furthermore, all Koncept's task lighting products use high quality LED light sources with CRI over 80 and L70 rated lifespan over 50,000 hours. Desktop and task personal lighting also provides the opportunity to reduce overhead lighting.

Light source placed 18" away from worksurface



Shown: photometrics of SF1-30

