

Desk

Seamlessly blends into your interior

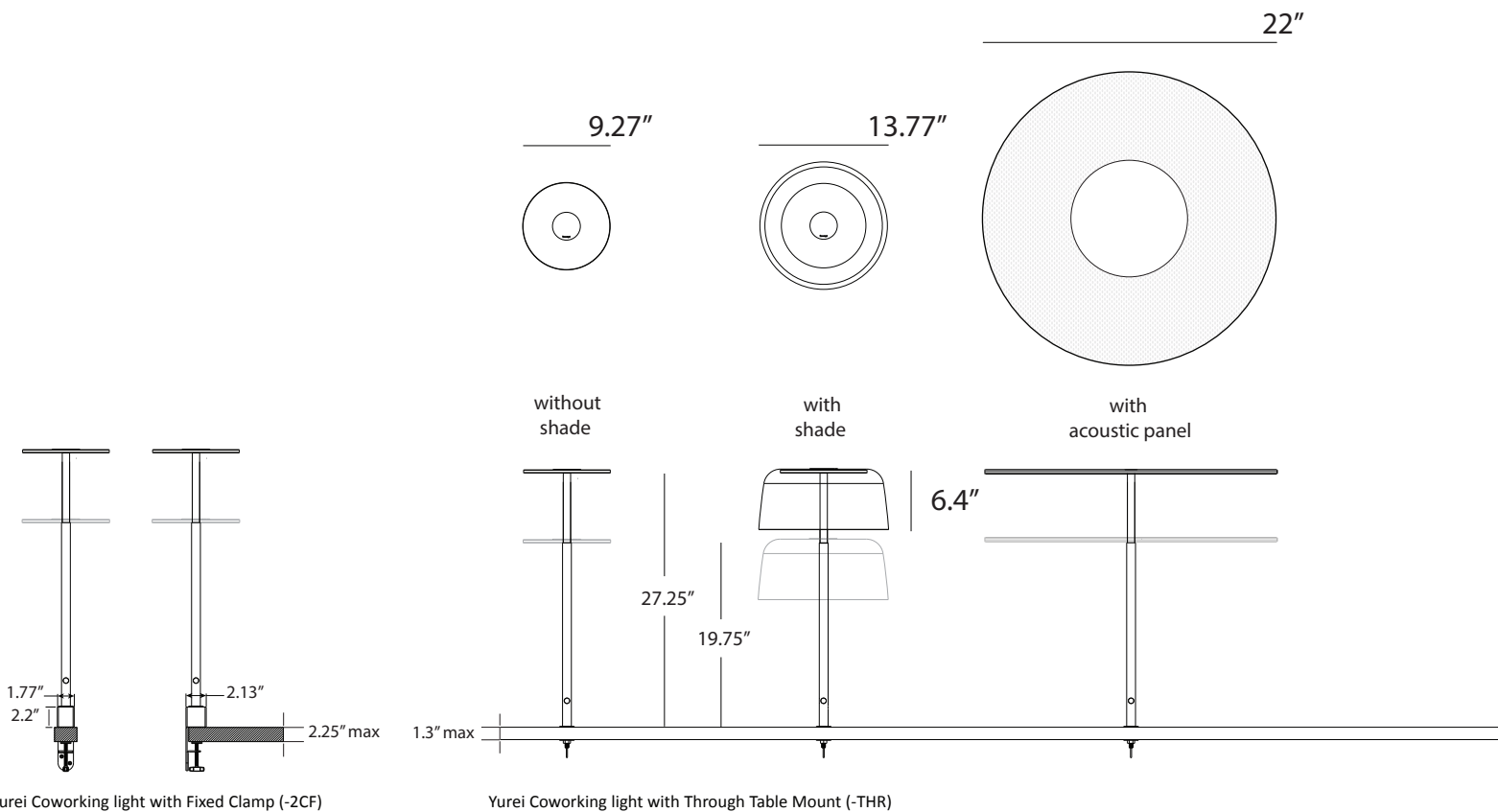
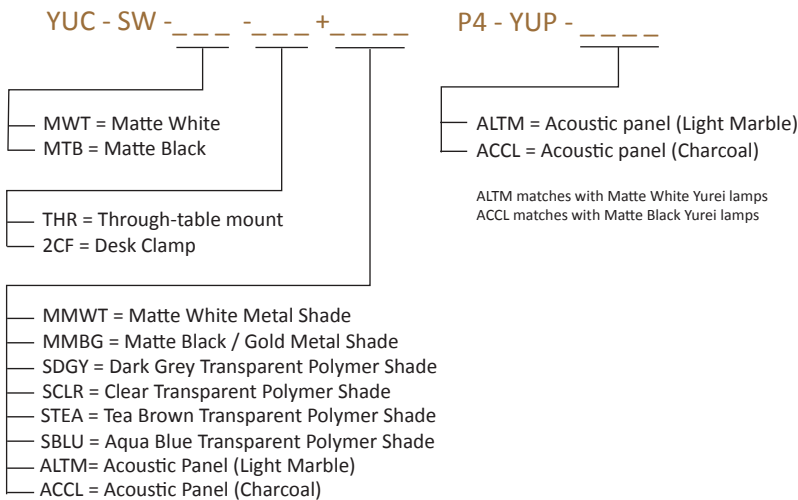
# Yurei Coworking lights

Designers  
Kenneth Ng, Edmund Ng

Best of NeoCon GOLD 2023

Drawing inspiration from the Japanese word for ghost, Yurei, our new lighting solution features unique translucent light shades that embody the spirit of the name. With its ethereal appearance, the Yurei Light adds mystique and style to any interior. Desk/floor models include dimmer, height-adjustable features, and a 7.5W USB-C charging port. The optional light shade is easily replaceable to match any aesthetic. Available in various colors and finishes, it adds an artistic touch and, with an acoustic panel, reduces noise for a calming environment. Mounting options include suspension pendant, flush ceiling, through-table, desk clamp, or free-standing base.

**YUC**  
 Lumens: 760  
 Energy Consumption : 14 W  
 Rated Lifespan 60,000+ hours  
 Color Temperature: 3,000 K  
 Color Rendering Index (Ra) : 90+  
 Color Rendering Index (R9) : 50+  
**Features:** USB-C port (7.5W)  
 Dimmer  
**Material:** Aluminum, Polycarbonate polymer  
**Warranty:** 5 years  
**Voltage:** 100-240V  
**Standard Finish (luminaire):** White, Black  
**Shade Finishes:** Matte White (Metal)  
 Matte Black / Gold (Metal)  
 Dark Grey (Transparent Polymer)  
 Clear (Transparent Polymer)  
 Tea Brown (Transparent Polymer)  
 Aqua Blue (Transparent Polymer)  
 Light Marble (Acoustic Panel Shade)  
 Charcoal (Acoustic Panel Shade)



Yurei Coworking light with Fixed Clamp (-2CF)

Yurei Coworking light with Through Table Mount (-THR)

## LEED Information

### Integrative Process

To support high-performance, cost-effective project outcomes through an early analysis of the interrelationships among systems. Konzept's LED desktop and task lighting provides finer control over lighting levels in occupied spaces. With personal lighting in place, elimination or downsizing of building lighting systems is possible.

### Interior Lighting

To promote occupants' productivity, comfort and well-being by providing high-quality lighting. Konzept's portable task lighting products provide more than three lighting levels that occupants can easily adjust to suit their needs. Furthermore, all Konzept lighting products use high quality LED light sources with CRI over 90 and L70 rated lifespan over 60,000 hours. Desktop and task personal lighting also provide the opportunity to reduce overhead lighting.