



Efficiency in Light

UCX Pro

Designers
Kenneth Ng, Edmund Ng

Best of NeoCon GOLD 2015
Buildings Product Innovations 2015

Linear

UCX Pro maintains the emphasis on ultra-high energy efficiency and sleek, minimalist design that characterize Koncept products. Remotely control the color and brightness settings with the optional wifi module and smartphone app. Schedule your light to automatically change in intensity and light color throughout the day, synchronizing with your circadian rhythm. Connect multiple units to brighten larger spaces. Includes magnetic and screw mounts.

	UCX-19	UCX-27	UCX-37
Lumens:	760	1140	1672
Footcandles:	130	171	246
Lux:	1399	1841	2648
Energy Consumption :	9 W	13 W	19 W
Rated Lifespan	60,000+ hours		
Color Temperature:	Variable from 2,700K to 5,000 K		
Color Rendering Index (Ra) :	90+		
Color Rendering Index (R9) :	50+		
Brightness Adjustability:	Touch Slider		
Material:	Aluminum, plastic		
Safety Rating:	C-UL-US Certified		
Warranty:	5 years		
Voltage:	100-240V		
Standard Finish:	Silver		

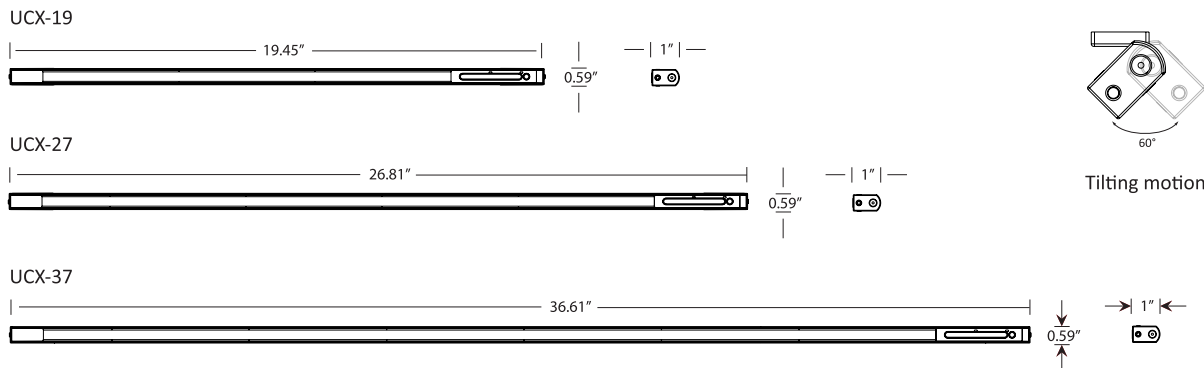
UCX- -SIL -

- 19 = 19.45" length
- 27 = 26.81" length
- 37 = 36.61" length

- 1PK = (1) luminaire + power supply
- 2PK = (2) luminaires, 30" daisy chain cord + power supply
- 3PK = (3) luminaires, (2) 30" daisy chain cord + power supply
- 4PK* = (4) luminaires, (3) 30" daisy chain cord + power supply

*4-pack connection for UCX-37 requires a hardwired transformer.
5-pack or longer connection is available for UCX-19 and UCX-27.
For more details, please contact sales@koncept.com.

*Measurements based on brightest setting at 5,000 K, 18" distance



Optional Accessories



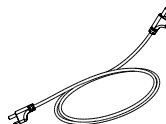
Male to male connector



Occupancy sensor



Wifi module



30" / 12" daisy chain cord

LEED Information

Integrative Process

To support high-performance, cost-effective project outcomes through an early analysis of the interrelationships among systems.

Koncept's LED desktop and task lighting provides finer control over lighting levels in occupied spaces. With personal lighting in place, elimination or downsizing of building lighting systems is possible.

Interior Lighting

To promote occupants' productivity, comfort and well-being by providing high-quality lighting.

Koncept's portable task lighting products provide more than three lighting levels that occupants can easily adjust to suit their needs. Furthermore, all Koncept lighting products use high quality LED light sources with CRI over 90 and L70 rated lifespan over 60,000 hours. Desktop and task personal lighting also provide the opportunity to reduce overhead lighting.

Photometrics: Light source placed 18" away from work surface. Graph represents 5,000 K light.

