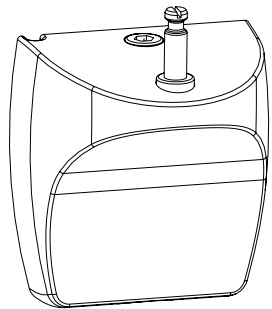


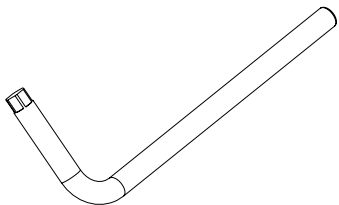
Installation Instruction Manual

Slatwall Mount

What's in the bag:



slatwall mount x 1

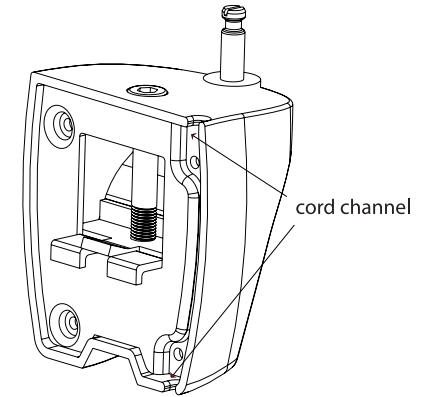


hexkey x 1

Instructions:

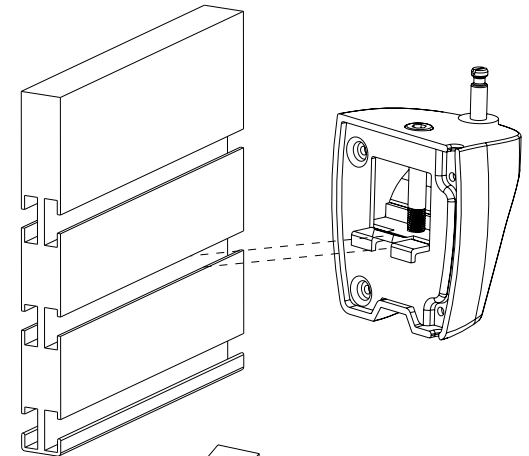
Step 1 [optional]:

Route the lamp's power cord through the cord channel at the back edge of the slatwall mount.



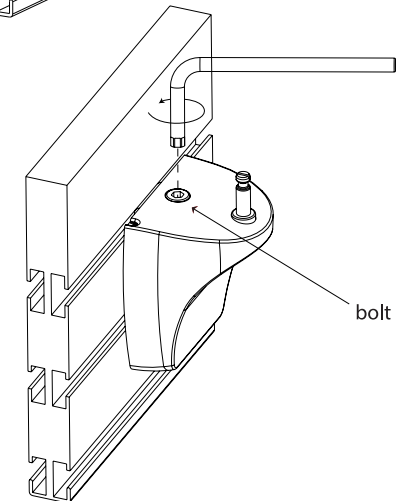
Step 2:

Hook the slatwall mount onto the slatwall.



Step 3:

To secure the mount, use the hexkey to turn the bolt located at the top of the mount anti-clockwise until tight.



KONCEPT

t: 323.261.8999 | f: 323.261.8998 | www.koncept.com

© 2015 Koncept. All rights reserved.