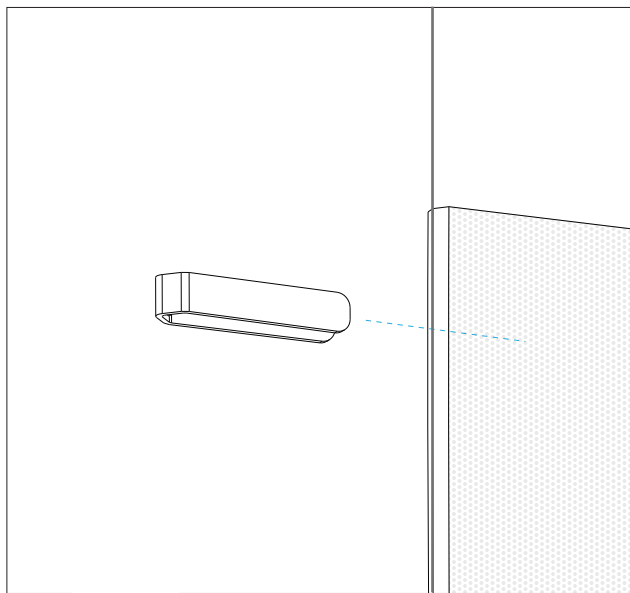
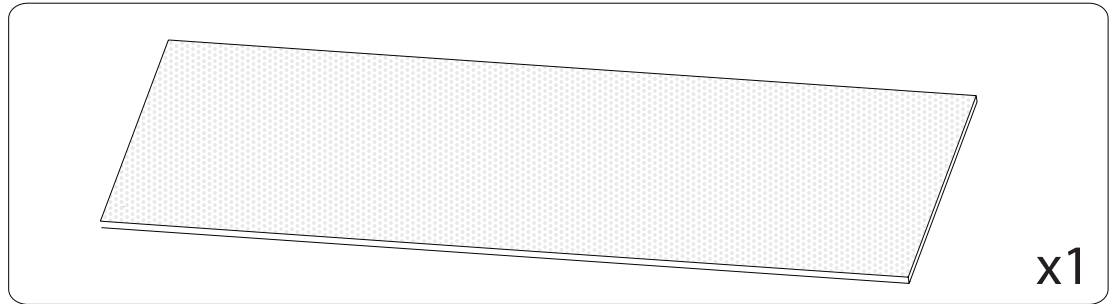
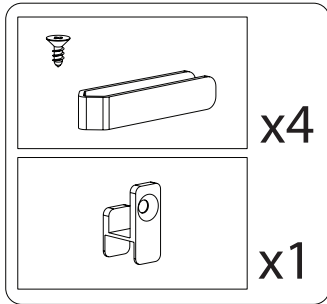
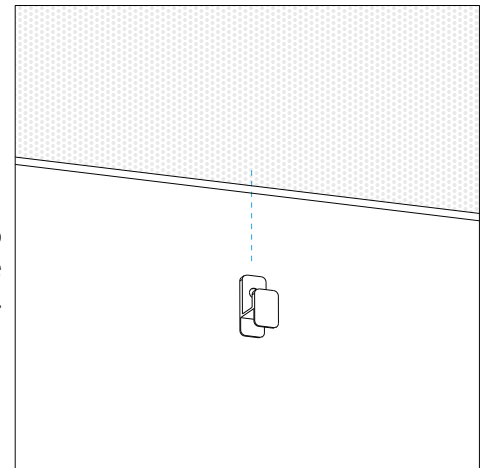


# Z-Bar pendant KONCEPT

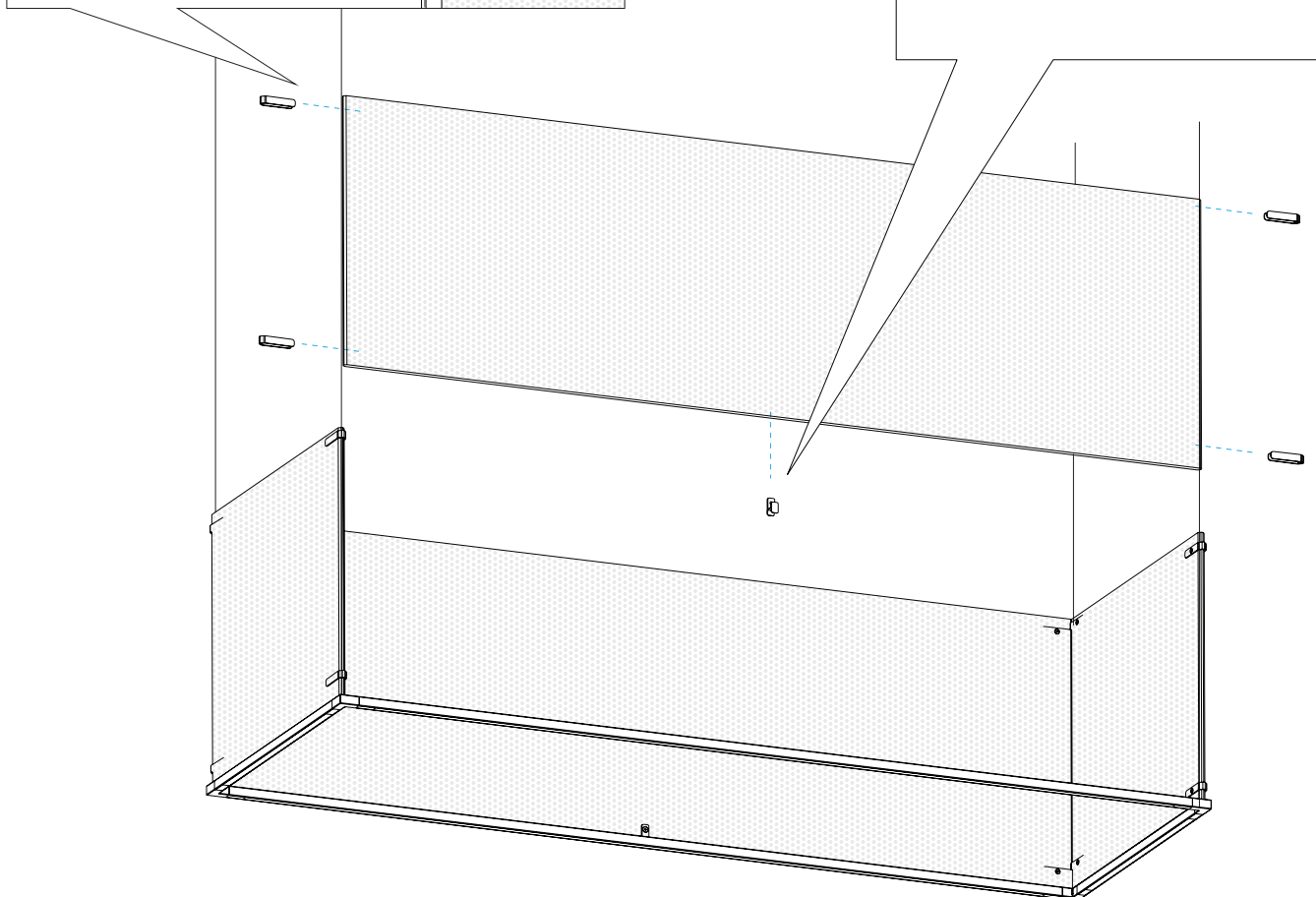
## Vertical Acoustic Panel Installation



**1** Secure the large plastic holders around the pendant's suspending cable and onto the sides of each panel as illustrated.



**2** Attach the small clip to the bottom of the panel.

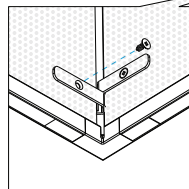
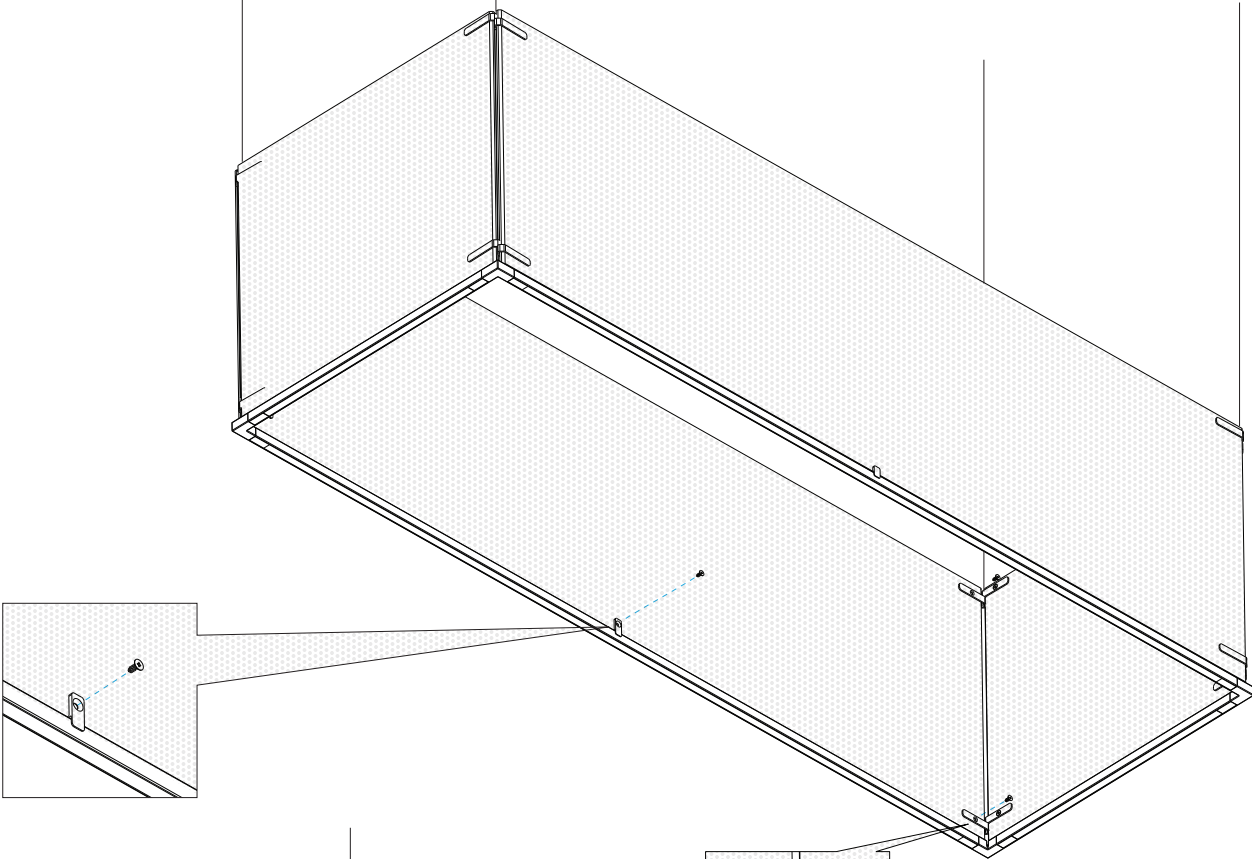


# Z-Bar pendant

KONCEPT

## Vertical Acoustic Panel Installation

- 3 Secure the plastic holders to the panel with screws. Do not overscrew as it might damage the acoustic panel.



- 4 Enjoy!

