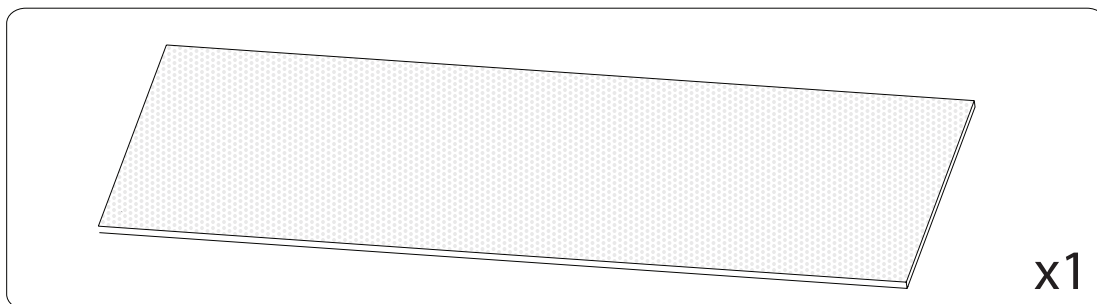
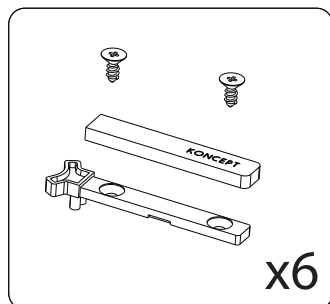


Z-Bar pendant *rectangle*

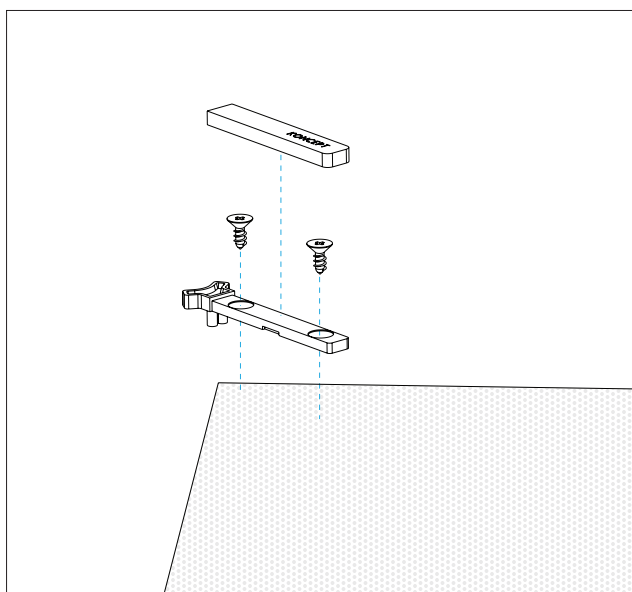
KONCEPT

Acoustic panel installation

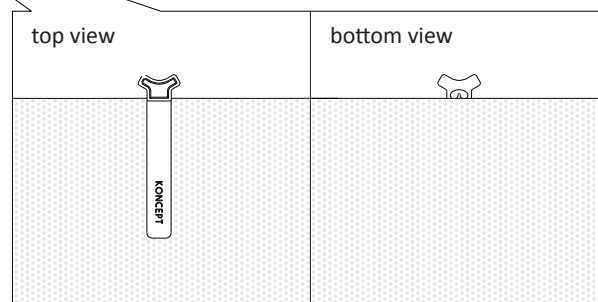
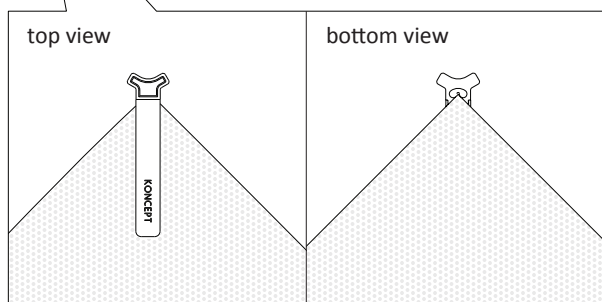
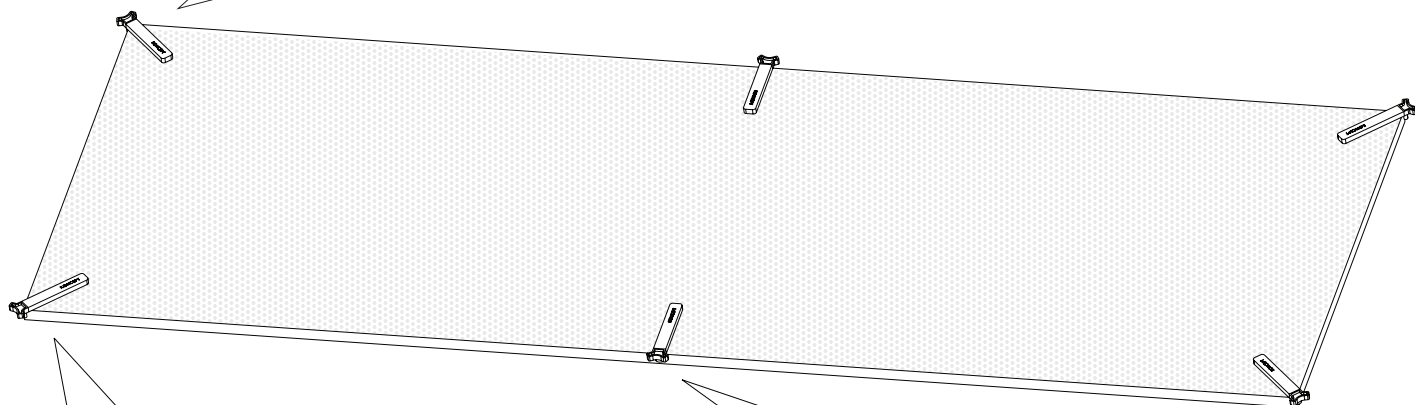
1



2



Secure the clear plastic holder with screws to a corner & edge of the rectangle acoustic panel. Make sure the protruding part of the clear plastic holder is sitting tight against the corner/edge of the rectangle acoustic panel. Repeat the same for all 6 holders. Be sure not to overscrew as it might damage the acoustic panel and the screws would not be able to be securely mounted.

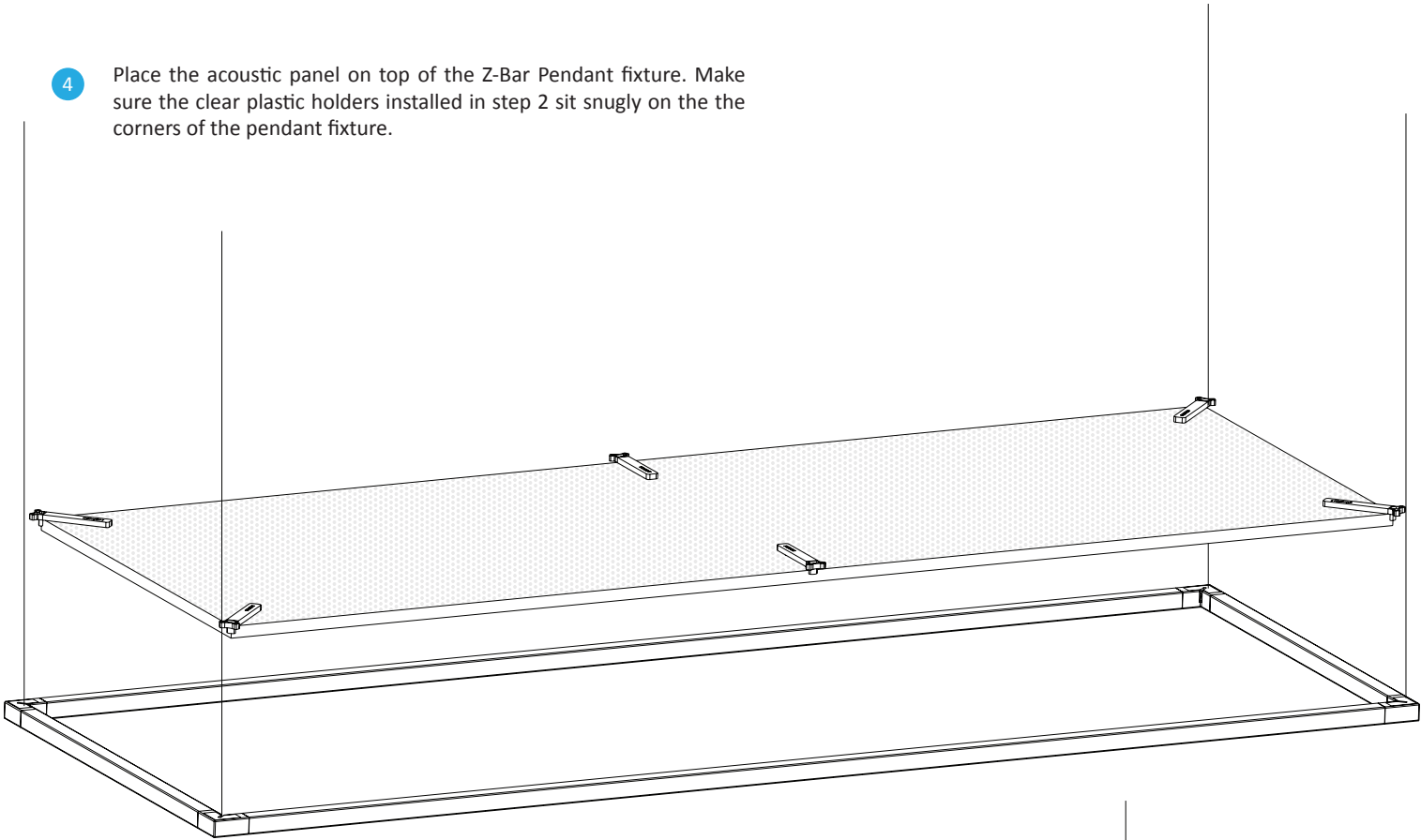


Z-Bar pendant *rectangle*

KONCEPT

Acoustic panel installation

- 4 Place the acoustic panel on top of the Z-Bar Pendant fixture. Make sure the clear plastic holders installed in step 2 sit snugly on the the corners of the pendant fixture.



- 4 Enjoy your acoustic panel and pendant!

