

## Cleaning Instructions



For video instructions, or instructions in other languages, please scan the QR code, or visit [www.koncept.com/Yurei](http://www.koncept.com/Yurei)



One of the standout features of the Yurei lights is the versatility of the shades. For Yurei metal shades, simply clean with damp cloth. For Yurei acrylic shades, please follow these instructions:



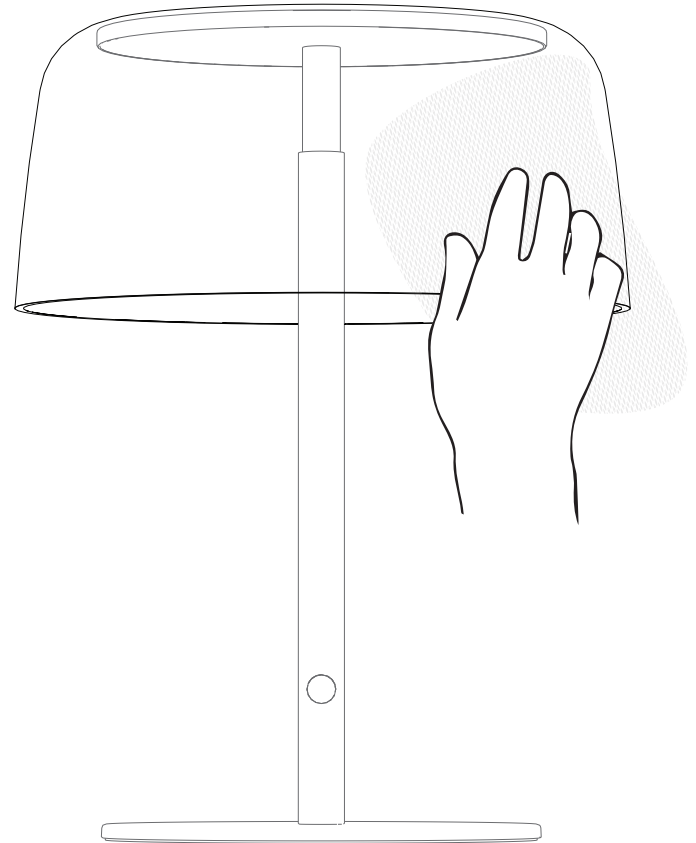
Best cleaning options:

1. Use warm water with a mild dish soap
2. Use specialized plastic / acrylic cleaner.  
We recommend NOVUS® 1: Clean & Shine.



Acrylic is sensitive to certain chemicals, therefore

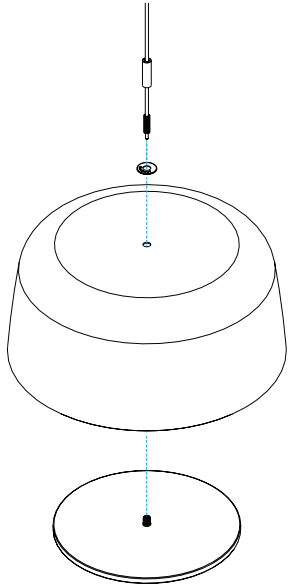
1. Avoid cleaners containing ammonia
2. Avoid bleach and abrasive cleaners
3. Do not use window cleaners



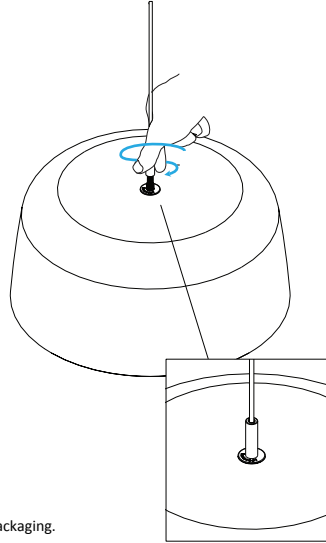
## Assembly Instructions

### Pendant

- 1 Place the provided washer on top of the shade, feed the pendant cable through the washer\*, then the shade, and then connect to the lamp head.



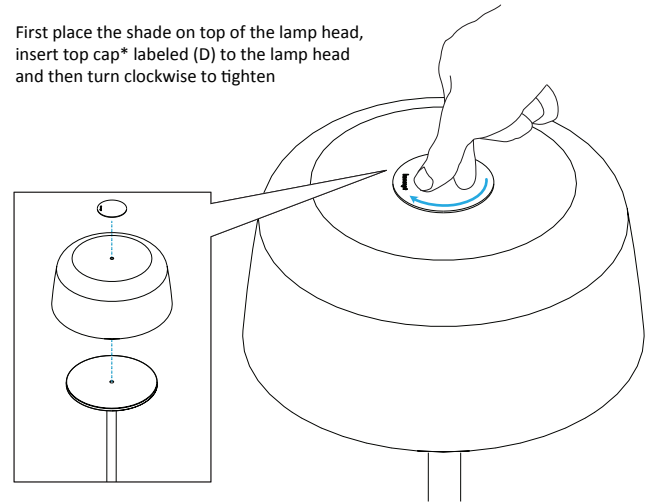
- 2 Tighten the screw cap to secure the connection to the pendant lamp head.



\*The washer was included in the original Yurei pendant packaging.

### Table / Floor lamp

- First place the shade on top of the lamp head, insert top cap\* labeled (D) to the lamp head and then turn clockwise to tighten



\*The top cap was included in the original Yurei table / floor lamp packaging.