



Ceiling

Unexpected Combinations

Combi pendant

Designers
Kenneth Ng, Edmund Ng

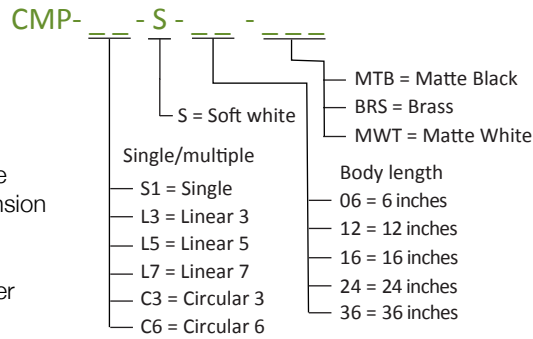
Best of NeoCon award SILVER 2022

A playful, make-it-your-own light fixture that can be made to fit any interior décor – the Combi Pendant series by Koncept aims to infuse new, customizable elements into pendant designs that are otherwise normally static and pre-determined. Serving as the backbone of the design, the 1.5” cylindrical light comes in 5 different lengths, all with an innovative 2-in-1 mounting capability for suspension and ceiling flush mounting. Over 10 different optional attachments are available at launch, including elements such as glass shades, acoustic panels, and a simple cylindrical snoot for those that prefers a minimalist look.

Technical Information

Color Temperature: 2,700K
 Lumens: 450
 Energy Consumption: 7.7 W
 Body lengths: 6", 12", 16", 24", 36"
 Beam angle: 21.3°
 Standard Finishes: Matte Black, Brass, Matte White
 Mounting: Flush, Flush w/ canopy, Suspension
 L-90 Rated Lifespan: > 33,000 hours
 Color Rendering Index: 90+
 Brightness Adjustability: Compatible with external dimmer
 Material: Aluminum, plastic
 Safety Rating: C-UL-US Certified
 Rating: Suitable for damp locations
 Warranty: 5 years
 Voltage: 120V

Combi Pendant



Optional Attachments

P2 - CMP - GLB - 5

5" Frosted Glass Ball

P4 - CMP - GLS - - - - - 9

9" Decorative Glass Plate

- BLU = Turquoise
- CLR = Clear
- DGY = Dark Grey
- TEA = Tea Brown

P4 - CMP - PLT - - - - - 9

9" Decorative Aluminum Plate

- BRS = Brass
- PTB = Matte White, Paintable

P4 - CMP - SHD - - - - -

12" Shade

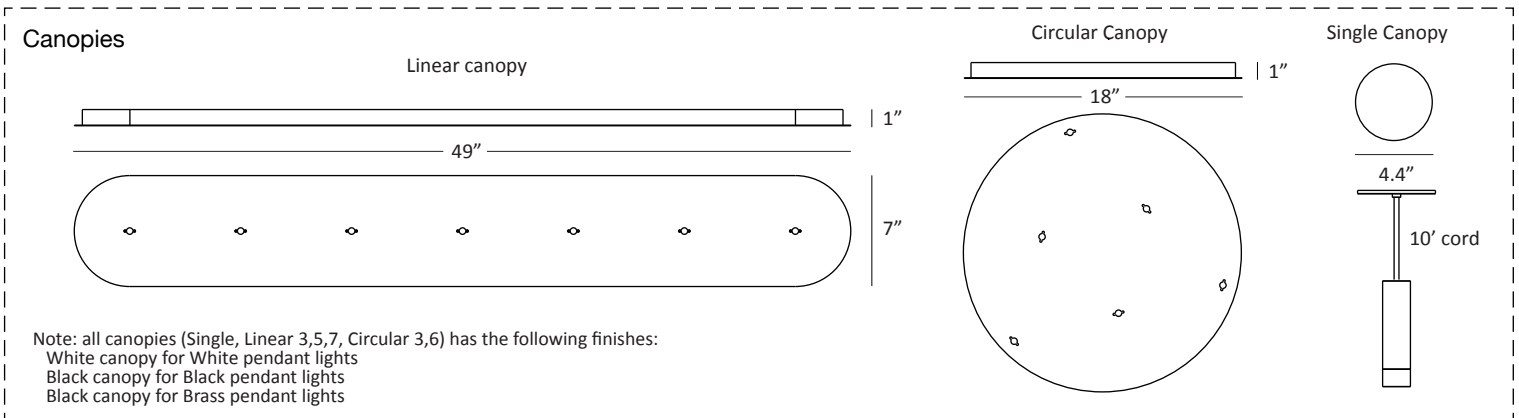
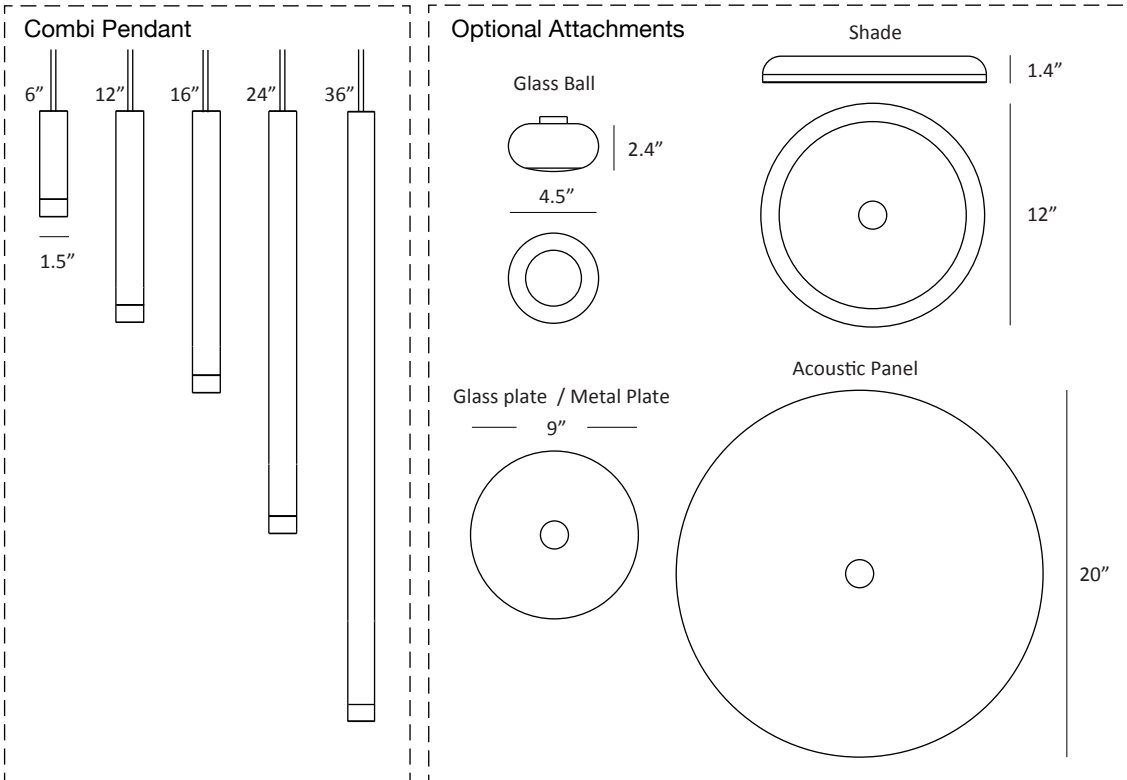
- MBB = Matte Black / Brass
- MWT = Matte White

P4 - CMP - ACP - - - - - 20

20" Acoustic Panel

- LTM = Light Marble
- CCL = Charcoal
- MST = Mustard

Dimensions



LEED Information

Interior Lighting

To promote occupants' productivity, comfort and well-being by providing high-quality lighting.

Koncept's portable task lighting products provide more than three lighting levels that occupants can easily adjust to suit their needs. Furthermore, all Koncept lighting products use high quality LED light sources with CRI over 80 and L70 rated lifespan over 50,000 hours. Desktop and task personal lighting also provide the opportunity to reduce overhead lighting.

Integrative Process

To support high-performance, cost-effective project outcomes through an early analysis of the interrelationships among systems.

Koncept's LED desktop and task lighting provides finer control over lighting levels in occupied spaces. With personal lighting in place, elimination or downsizing of building lighting systems is possible.



Customization

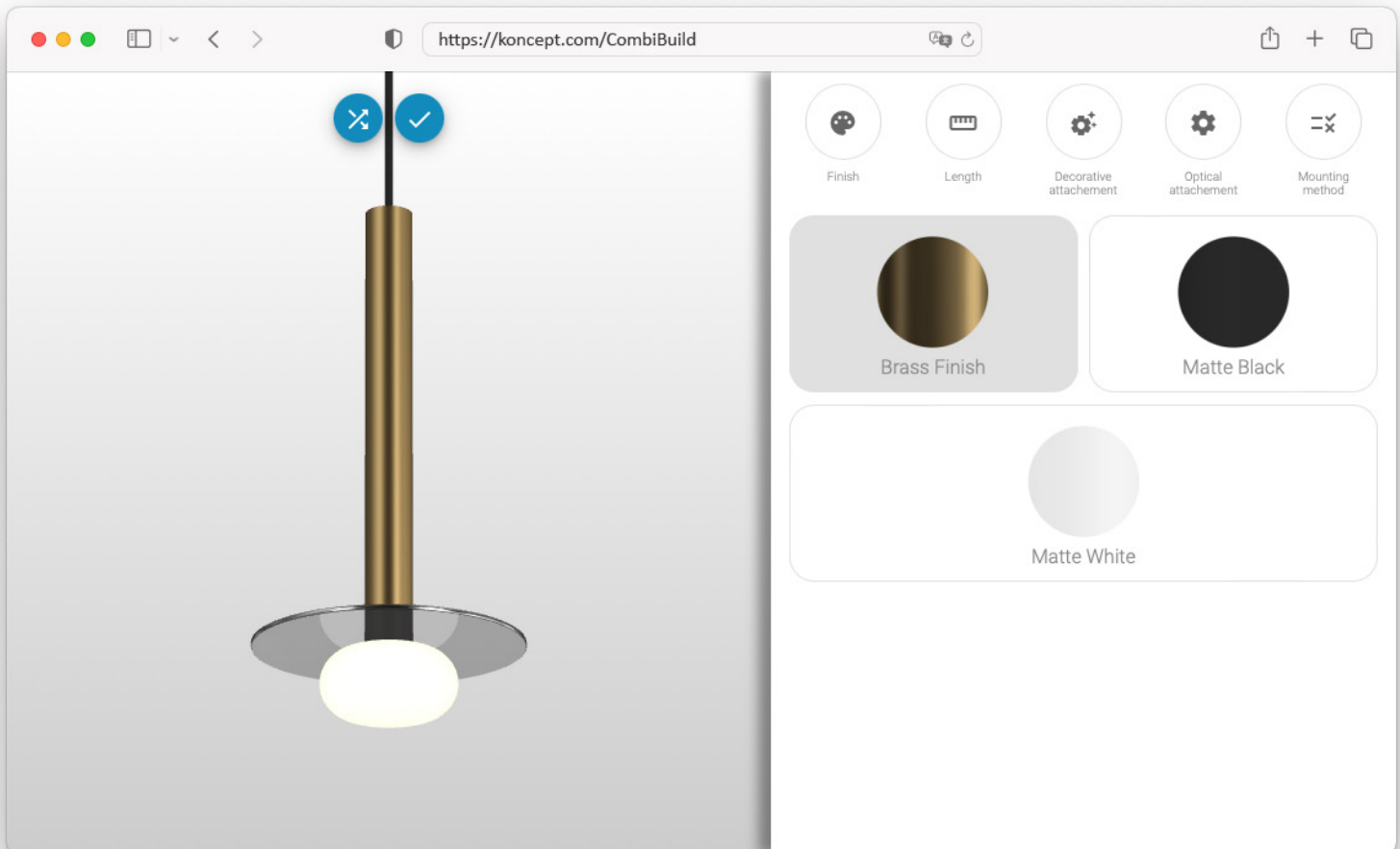
This chart is for selecting the components to build the wanted customization and to come up with the model number to represent the build.

| Combi | Single or multiple | Light color temperature | Length of body | Finish | Decorator / Acoustic | Optical modifier |
|--|--------------------|-------------------------|--------------------------------------|-------------------|---|--------------------------|
| CMP | Single (S1) | 2700K (S) | 6 inches (06) | Brass (BRS) | No decorator (NA) | Frosted glass ball (GLB) |
| | Linear 3 (L3) | 3000K** | 12 inches (12) | Matte Black (MTB) | Glass plate 9" Blue (GBLU9) | |
| | Linear 5 (L5) | 3500K** | 16 inches (16) | Matte White (MWT) | Glass plate 9" Tea (GTEA9) | |
| | Linear 7 (L7) | 4000K** | 24 inches (24) | | Glass plate 9" Dark Grey (GDGY9) | |
| | Circular 3 (C3) | 4500K** | 36 inches (36) | | Glass plate 9" Clear (GCLR9) | |
| | Circular 6 (C6) | 5000K** | 48 inches** (48) 60 inches** (60) | | Metal plate 9" Brass (MBRS9) Metal plate 9" Paintable (MPTB9) Shade 12" Matte Black/Brass (SMBB12) Shade 12" Matte White (SMWT12) Acoustic Panel 20" Light Marble (ALTM20) Acoustic Panel 20" Mustard (AMST20) Acoustic Panel 20" Charcoal (ACCL20) | |
| Customization example: CMP - L7 - S - 12 - BRS + GTEA9 + GLB | | | | | | |

**non-stocked option, customization charges and additional lead time apply.

Combi app

To help you visualize your customizations, you can virtually build the Combi's on our website at <https://koncept.com/CombiBuild>. You have full access to all accessories and canopies to build the ideal look you want. There is also a randomize button to give you surprising ideas. Such virtual customization can be saved and our sales team could provide quotation based on the build.





CMP-Tres1-MWT



CMP-S1-S-12-MTB+NA+GLB

CMP-S1-S-06-MTB+GGRY9+GLB

CMP-S1-S-12-BRS+GTEA9+GLB



CMP-C3-S-06-MTB+GGRY9

CMP-S1-S-06-MWT+SMW12+GLB

CMP-S1-S-06-MTB+SBG12+GLB



CMP-L7-S-06-MTB+NA+GLB



CMP-Siete1-MWT



CMP-C6-S-06-BRS+NA+GLB



CMP-Tres2



CMP-L5-S-06-MTB+NA+GLB



CMP-L3-S-06-MTB+NA+GLB



CMP-C3-S-06-BRS+NA+GLB