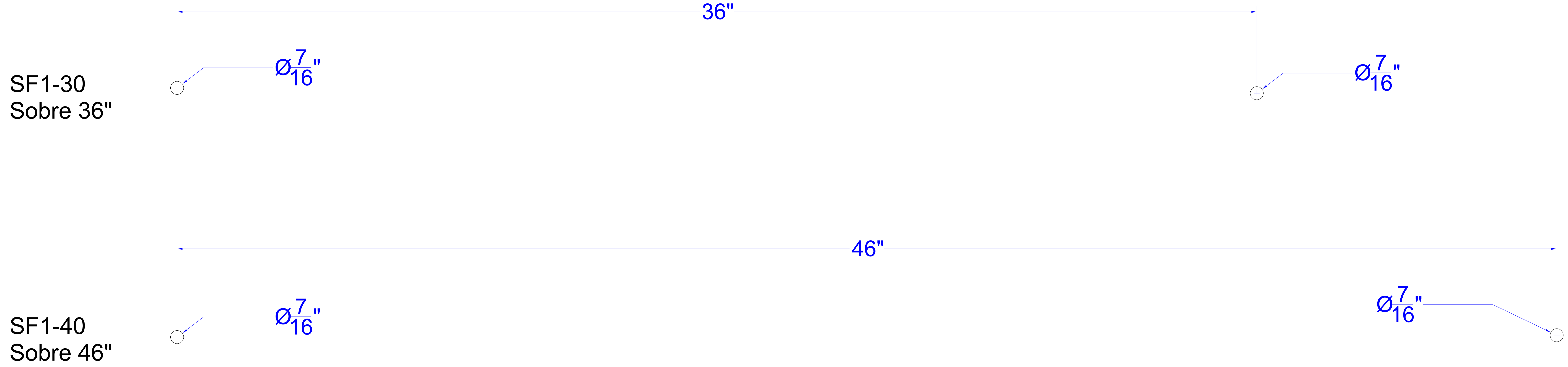
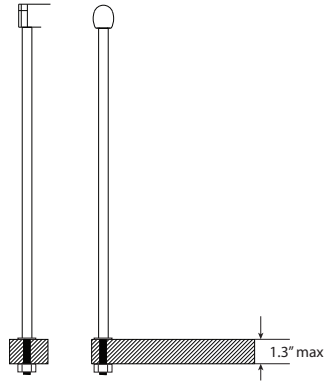
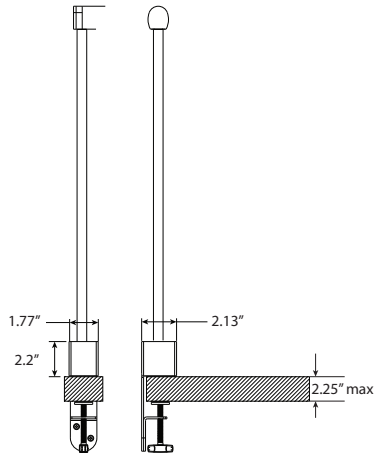


Sobre Installation: Hole Locations





Sobre Through Table (-THR Option)



Sobre Fixed Clamp (-2CF Option)