



GRAVY

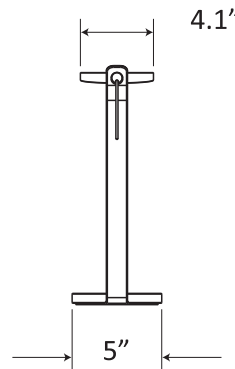
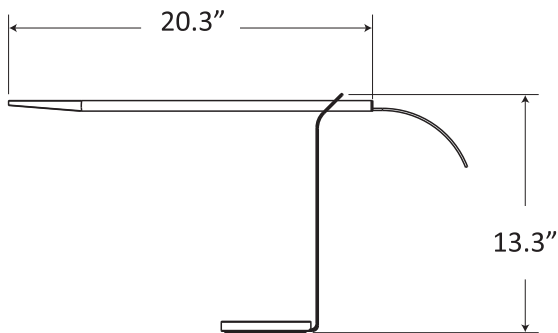
Bring LED technology and the warmth of wood to your home or office lighting. Edge-lit technology provides a soft, evenly-distributed glow of warm white light. The illuminated LED head swivels 360°, and the wood bar slides back and forth to provide the user with the perfect lighting placement. This striking combination of real wood and aluminum is perfect for any setting. It's all Gravy.

JDP's Good Design Award 2013
Spark Awards 2013 SPARK! Winner

Designers
Kenneth Ng & Edmund Ng

Lumens: 275
 Energy Consumption: 6 W
 Rated Lifespan: 50,000 hours
 Color Temperature: Warm: 3,500 K
 Color Rendering Index (CRI): 85
 Dimmer: Built-in touch sensor
 Brightness Adjustability: Continuous dimming
 Standard Finishes: Maple/Silver, White Oak/Matte White, Walnut/Matte White
 Material: Aluminum, plastic
 Cord: White (with Maple/Silver lamp), Blue (with White Oak/Matte White lamp), Red (with Walnut/Matte White lamp), 10'
 Maximum Brightness: 100 fc
 C-UL-US Certified

GR1-W-MPW-SIL-DSK
 GR1-W-WOB-MWT-DSK
 GR1-W-WNR-MWT-DSK



Wood finish / Cord color

Potential LEED Points

Integrative Process (Possible 2 points)

To support high-performance, cost-effective project outcomes through an early analysis of the interrelationships among systems.

Koncept's LED desktop and task lighting provides finer control over lighting levels in occupied spaces. With personal lighting in place, elimination or downsizing of building lighting systems is possible.

Interior Lighting (Possible 2 points)

To promote occupants' productivity, comfort and well-being by providing high-quality lighting.

All Koncept's task lighting products provide more than three lighting levels that are easily adjustable by occupants to suit their needs. Furthermore, all Koncept's task lighting products use high quality LED light sources with CRI over 80 and L70 rated lifespan over 50,000 hours. Desktop and task personal lighting also provides the opportunity to reduce overhead lighting.

Light source placed at 12.75" away from worksurface

