

# mosso<sup>®</sup> pro

## KONCEPT



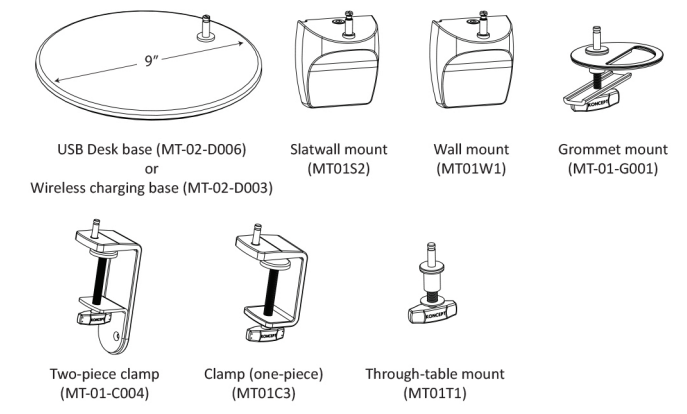
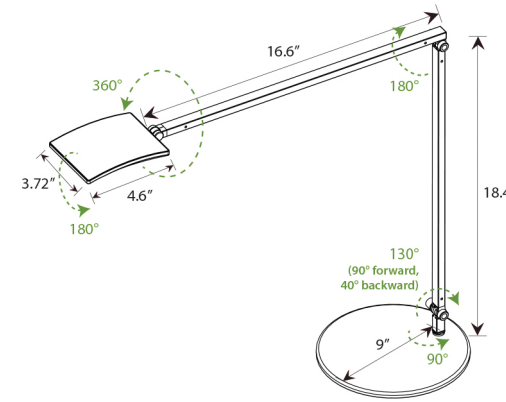
Delivering a phenomenal 99 lumens per watt efficiency, Mosso Pro changes light colors from warm to cool and anything in between. An intuitive built-in touchstrip allows for effortless continuous dimming. Built-in occupancy sensor ensures no energy is wasted lighting up a vacant desk. For smart phone enthusiasts, Mosso Pro comes standard with an USB port, or optionally a wireless charging base is available for recharging Qi-compatible mobile devices. With Mosso Pro, anything is possible.

2013 Best of NeoCon GOLD  
2014 Next Generation Luminaires "Best in Class"

|                                      |                                 |
|--------------------------------------|---------------------------------|
| Lumens:                              | 540                             |
| Energy Consumption:                  | 5.5 watts                       |
| Number of LEDs:                      | 48 LEDs                         |
| LED Rated Lifespan:                  | 50,000 hours                    |
| Color Temperature:                   | Variable from 2,700K to 5,000 K |
| Color Rendering Index (CRI):         | 83                              |
| Dimmer:                              | Built-in touchstrip             |
| Brightness Adjustability:            | Continuous                      |
| Occupancy Sensor:                    | Built-in                        |
| Standard Color Finish*:              | Metallic Black, Silver          |
| Material:                            | Aluminum/Plastic                |
| Cord Color:                          | Black                           |
| Cord Length:                         | 10'                             |
| Transformer (100-240 V; 50/60 Hz):   | Included - C-UL-US Certified    |
| Maximum Brightness (15" above desk): | 103 fc                          |

- AR2001- - - - -
- MBK = Metallic Black
  - SIL = Silver
  - USB = USB Desk Base
  - CLP = Clamp (One-Piece)
  - 2CL = Two-Piece Clamp
  - SLT = Slatwall Mount
  - WAL = Wall Mount
  - GRM = Grommet Mount
  - THR = Through-table Mount
  - QCB\* = Wireless Charging Base\*

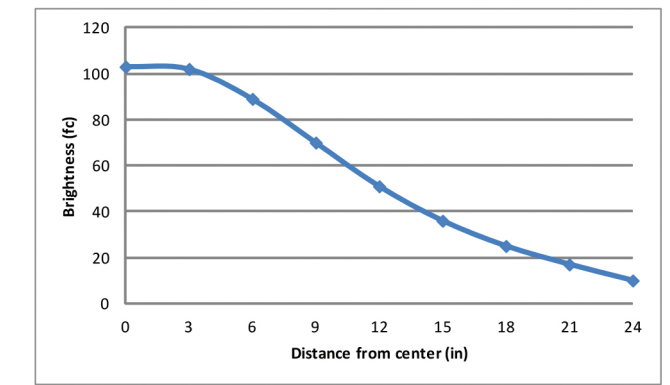
\*Custom colors are available at additional cost. Contact Koncept or your sales representative for a quote.



### Potential LEED Points:

- Energy & Atmosphere (EA)**  
*Credit 1.1: Optimize Energy Performance*  
 LED lighting to reduce energy consumption.  
 (Potential points: 3)
- Innovation In Design (ID)**  
*Credit 1.1- 1.4: Innovation in Design*  
 Mosso™ Pro delivers an outstanding 90+ lumens per watt for an LED desk lamp. Color temperature is variable from warm (3,500 K) to cool (5,000 K). An intuitive touchstrip allows for easy dimming and on/off.  
 (Potential points: 4)
- Materials & Resources (MR)**  
*Credit 4.1: Recycled Content - 10%*  
 Lamps contain parts made out of 10% pre-consumer recycled content.  
 (Potential points: 1)  
*Credit 4.2: Recycled Content - 20%*  
 Lamps contain parts made out of 20% pre-consumer recycled content.  
 (Potential points: 2)

Light source placed at 15" away from worksurface



Lamp contains 38% preconsumer recycled material by weight\*  
 Aluminum housing is fully recyclable  
 All color finishes use water-based paint

LEDs do not contain mercury

\*in standard configuration (includes transformer and weighted base)