

equo®

KONCEPT

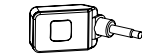
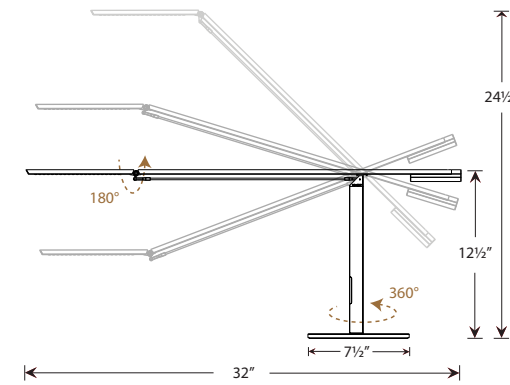
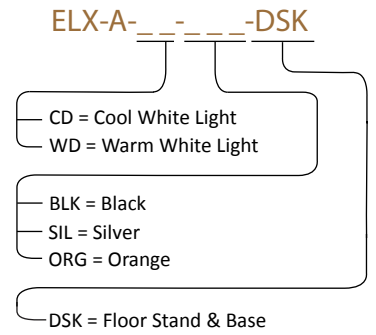


iF product design award 2012
 WAN Awards Shortlisted 2012
 Interior Design's Best of Year 2011 Product
 JDP's Good Design Award 2011
 Benelux Office Products Awards Winner 2011
 Bloom Award Winner 2011
 red dot: product design winner 2011
 Next Generation Luminaires "Best in Class" Winner 2010
 Spark Award – Bronze 2010
 Chicago Athenaeum's GOOD DESIGN Award 2010
 ADEX Platinum Award 2010

The exceptional Equo® is a willowy sculpture masquerading as an LED desk lamp. The lamp has a streamlined counterweight design that balances the body of the lamp on a slight stand and weighted base while the LED head tilts and maintain its angle until you change it. Equo® is a must-see lamp – see it for yourself to appreciate its unique and elegant design and functionality.

Lumens:	360
Energy Consumption:	6 watts
Number of LEDs:	28 LEDs
LED Rated Lifespan:	50,000 hours
Color Temperature (Typical) – Cool:	4,500 K
Color Temperature (Typical) – Warm:	3,500 K
Color Rendering Index (CRI):	85
Dimmer:	Built-in touchstrip
Brightness Adjustability:	Multiple dimming levels
Standard Color Finish*:	Black, Silver, Orange
Material:	Aluminum/Plastic
Cord Color:	Black
Cord Length:	10'
Transformer (100–240 V; 50/60 Hz):	Included – C-UL-US Certified

*Custom colors are available at additional cost. Contact Koncept or your sales representative for a quote.



Occupancy sensor*
(P7-02-OCC01A)

Potential LEED Points:

Energy & Atmosphere (EA)

Credit 1.1: Optimize Energy Performance
 LED lighting to reduce energy consumption.
 (Potential points: 3)

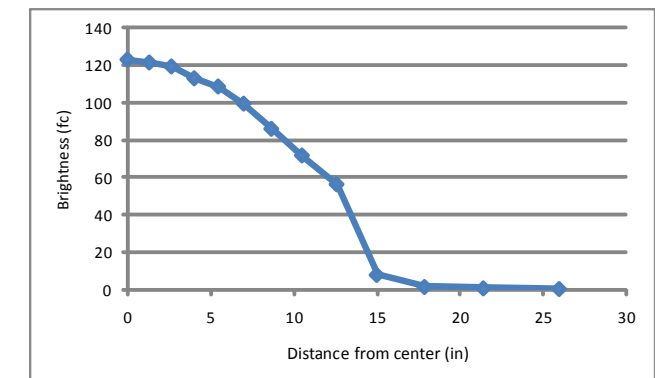
Innovation In Design (ID)

Credit 1.1- 1.4: Innovation in Design
 EQUO® incorporates a unique combination of features including feather-light adjustability with counterbalance mechanism, touch sensitive dimming, and constant angle joint stabilization.
 (Potential points: 4)

Materials & Resources (MR)

Credit 4.1: Recycled Content - 10%
 Lamps contain parts made out of 10% pre-consumer recycled content.
 (Potential points: 1)
Credit 4.2: Recycled Content - 20%
 Lamps contain parts made out of 20% pre-consumer recycled content.
 (Potential points: 2)

Light source placed at 15" away from worksurface



Lamp contains 34% preconsumer recycled material by weight*
 Aluminum housing is fully recyclable
 All color finishes use water-based paint

LEDs do not contain mercury

*in standard configuration (includes transformer and weighted base)