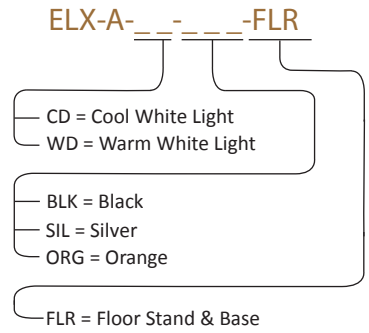


KONCEPT

equo® FLOOR LAMP

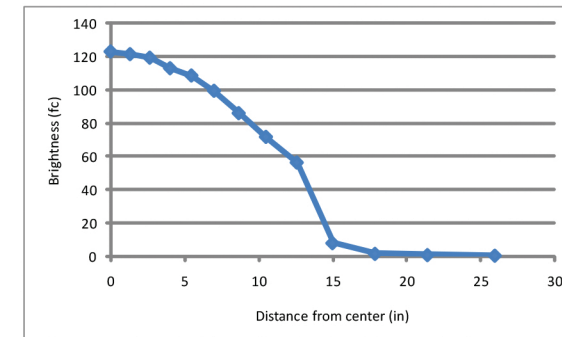
Equo® Floor Lamp brings the discreet counterweight design for feather-light adjustability without the need for a table. One finger is all you need to adjust the floating arm's position, and the tilting head stays at whatever angle you set when the arm is raised or lowered.

Lumens:	360
Energy Consumption:	6 watts
Number of LEDs:	28 LEDs
LED Rated Lifespan:	50,000 hours
Color Temperature (Typical) – Cool:	4,500 K
Color Temperature (Typical) – Warm:	3,500 K
Color Rendering Index (CRI):	85
Dimmer:	Built-in touchstrip
Brightness Adjustability:	Multiple dimming levels
Standard Color Finish*:	Black, Silver, Orange
Material:	Aluminum/Plastic
Cord Color:	Black
Cord Length:	10'
Transformer (100–240 V; 50/60 Hz):	Included – C-UL-US Certified

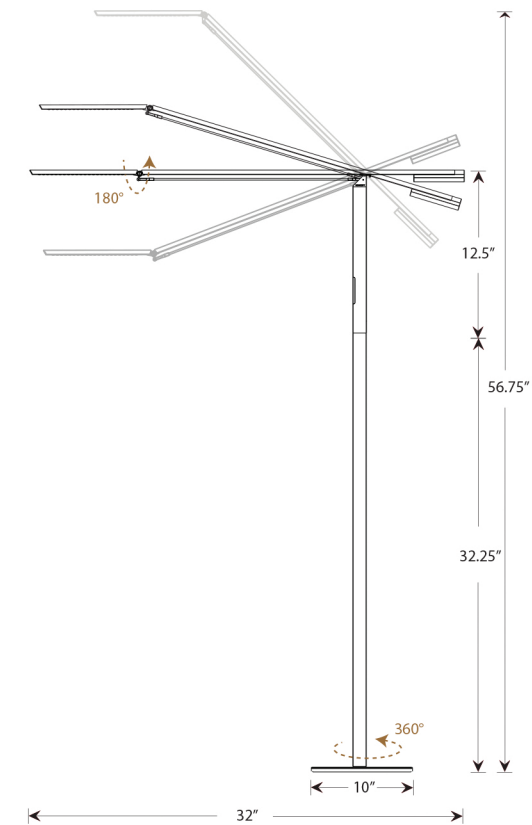


*Custom colors are available at additional cost. Contact Koncept or your sales representative for a quote.

Light source placed at 15" away from worksurface



Horizontal and vertical reach



Potential LEED Points:

Energy & Atmosphere (EA)

Credit 1.1: Optimize Energy Performance
LED lighting to reduce energy consumption.
(Potential points: 3)

Innovation In Design (ID)

Credit 1.1- 1.4: Innovation in Design
EQUO® Floor incorporates a unique combination of features including feather-light adjustability with counterbalance mechanism, touch sensitive dimming, and constant angle joint stabilization.
(Potential points: 4)

Materials & Resources (MR)

Credit 4.1: Recycled Content - 10%
Lamps contain parts made out of 10% pre-consumer recycled content.
(Potential points: 1)
Credit 4.2: Recycled Content - 20%
Lamps contain parts made out of 20% pre-consumer recycled content.
(Potential points: 2)

Lamp contains 35% preconsumer recycled material by weight*
Aluminum housing is fully recyclable
All color finishes use water-based paint
LEDs do not contain mercury

*in standard configuration (includes transformer and weighted base)



Occupancy sensor*
(P7-02-OCC01A)