



Specifications **Model number**

Energy Consumption:	6.5 watts
Number of LEDs:	28 LEDs
LED Rated Lifespan:	50,000 hours
Color Temperature (Typical) – Cool ¹ :	4,500 K
Color Temperature (Typical) – Warm:	3,500 K
Color Rendering Index (CRI):	85
Dimmer:	Built-in touchstrip
Brightness Adjustability:	Multiple dimming levels
Standard Color Finish ² :	Metallic Black, Silver, White, Red, Orange, Blue, Green, Purple
Material:	Aluminum/Plastic
Cord Color:	Black
Cord Length:	10'
Transformer (100–240 V; 50/60 Hz):	Included – C-UL-US Certified
Maximum Brightness ³ (15" above desk):	115

AR3100- - - - -

C** = Cool White Light
W** = Warm White Light

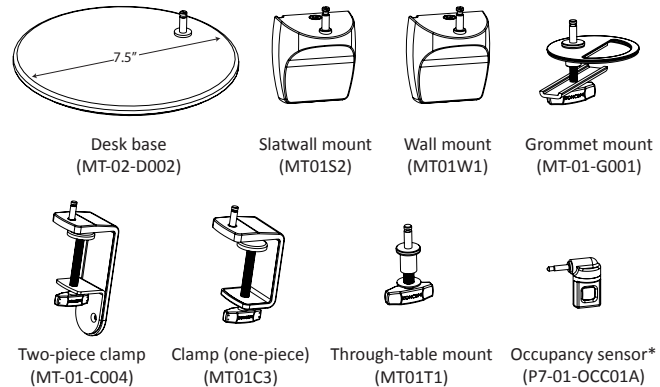
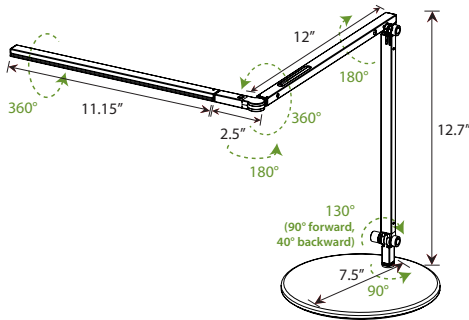
MBK = Metallic Black
SIL = Silver
WHT = White
RED = Red
ORG = Orange
BLU = Blue
GRN = Green
PUR = Purple

DSK = Desk Base
CLP = Clamp (One-Piece)
2CL = Two-Piece Clamp
SLT = Slatwall Mount
WAL = Wall Mount
GRM = Grommet Mount
THR = Through-Table Mount

¹ Cool light is only offered with Metallic Black and Silver finishes.
² Custom colors are available at additional cost. Contact Konzept or your sales representative for a quote.
³ Maximum brightness is measured on diffused models.

**For diffused light, use "CD" for cool diffused light and "WD" for warm diffused light.

Dimensions **Accessories** (*optional)

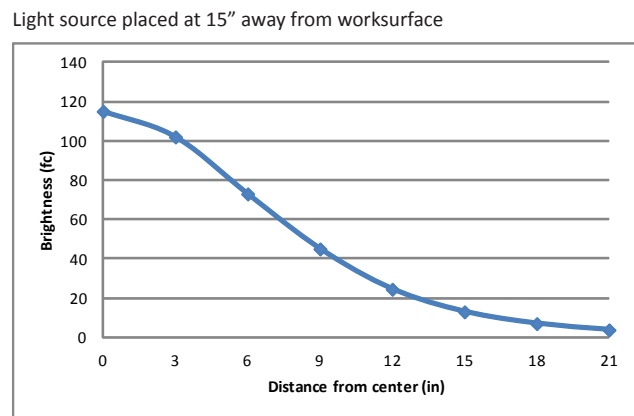


LEED credit eligibility **Photometrics**

Energy & Atmosphere (EA)
Credit 1.1: Optimize Energy Performance
LED lighting to reduce energy consumption.
(Potential points: 3)

Innovation In Design (ID)
Credit 1.1- 1.4: Innovation in Design
Z-Bar® Mini features the original three-bar design for maximum reach and flexibility. The LED head can spin in its socket, sweep side to side, and rotate around the end of the arm to point in any direction. The lamp also features a built-in touchstrip for brightness adjustability.
(Potential points: 4)

Materials & Resources (MR)
Credit 4.1: Recycled Content - 10%
Lamps contain parts made out of 10% pre-consumer recycled content.
(Potential points: 1)
Credit 4.2: Recycled Content - 20%
Lamps contain parts made out of 20% pre-consumer recycled content.
(Potential points: 2)



(Shown: photometrics of diffused light model)

Environmental considerations

Lamp contains 39% preconsumer recycled material by weight*
Aluminum housing is fully recyclable
All color finishes use water-based paint
All cardboard used in packaging is FSC certified
LEDs do not contain mercury

*in standard configuration (includes transformer and weighted base)