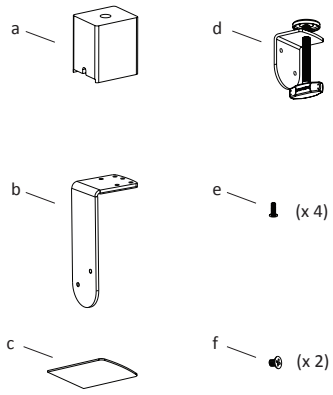
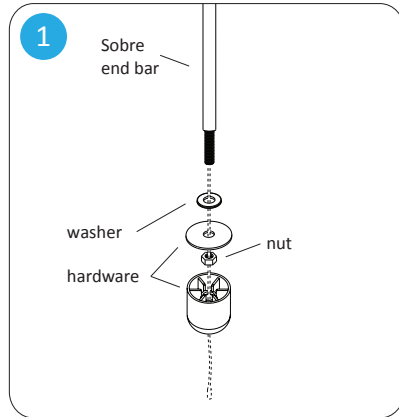


Parts

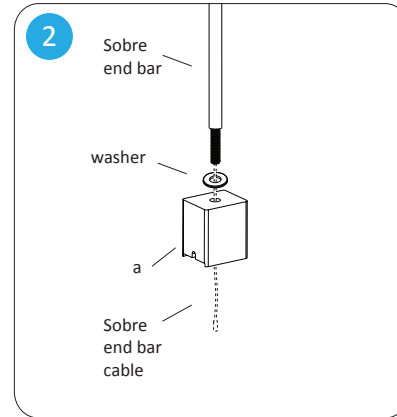


- a. Mounting block
- b. Clamp piece
- c. Black adhesive
- d. Screw handle
- e. Long screw (x 4)
- f. Short screw (x 2)

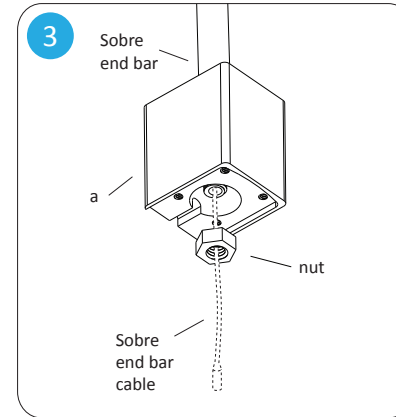
Assembly Instructions



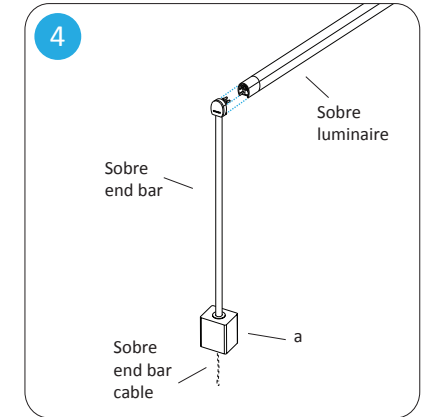
Remove the hardware from the Sobre end bar(s). Leave one washer for use in step 2.



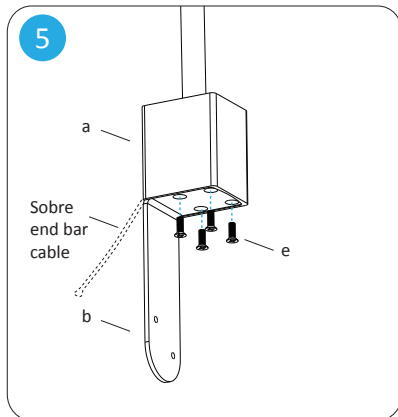
Insert the Sobre end bar into the hollow tube of the mounting block. If the end bar comes with a cable, feed the cable through the tube before inserting.



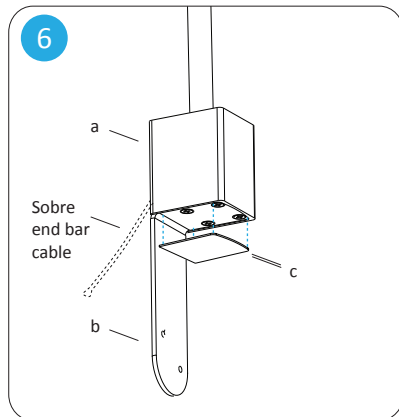
Secure the Sobre end bar to the mounting block with the nut retained from Step 1 using a pair of needle-nose pliers.



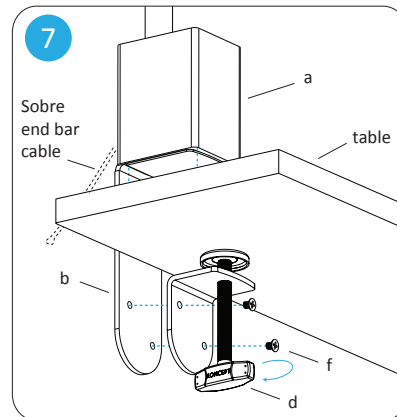
Make sure the plug of the Sobre end bar is facing inward and in the same direction as the wider side of the mounting block. Plug in luminaire to the end bar (refer to Sobre user manual for further lamp assembly instructions).



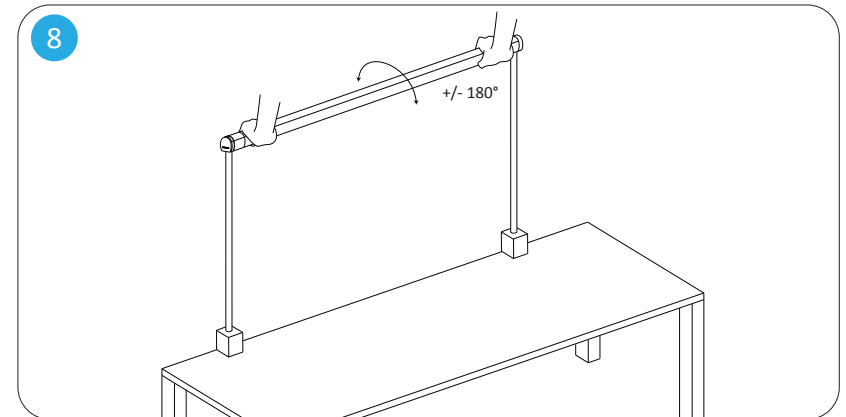
Attach the clamp piece to the mounting block using the long screws.



Attach the black adhesive to protect the screws.



Sit the mount on the edge of the table. Attach the screw handle to the clamp piece with the short screws. Fasten the screw handle to secure the mount to the table. Repeat Step 1 to 7 to other Sobre bars.



The luminaire can be turned 180 degrees each way to aim the light in the desired direction.