

Practicality meets Elegance

# royyo



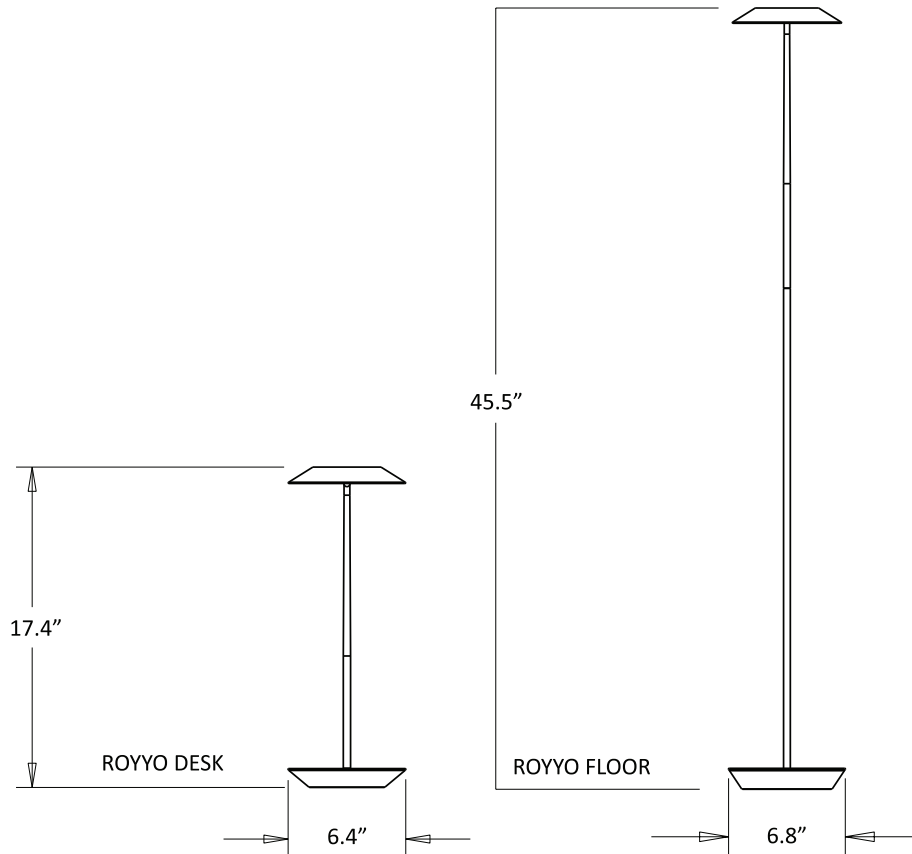
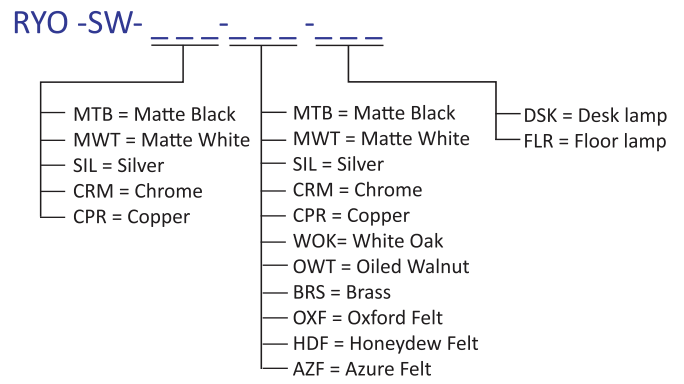
*Designers*  
Kenneth Ng & Edmund Ng

Red Dot Design Award 2018

Royyo adds an elegant flair to any space with its minimal wiring and pleasing circular design. Its minimal silhouette houses complex inner technology for a marriage of form and functionality. Royyo's embedded USB port allows users to charge any USB-compatible device. Interchangeable base plate options allow users to customize at ease.



Lumens: 600  
 Energy Consumption: 11 W  
 Rated Lifespan: 50,000 hours  
 Color Temperature: Soft Warm (3,000 K)  
 Color Rendering Index (CRI): 90+  
 Dimmer: Built-in  
 Brightness Adjustability: Continuous Dimming  
 Body Finishes: Matte Black, Matte White, Silver, Chrome, Copper  
 Base Plate Finishes: Matte Black, Matte White, Silver, Chrome, Copper, White Oak, Oiled Walnut, Brass, Oxford Felt, Honeydew Felt, Azure Felt  
 Material: Aluminum, plastic  
 USB port: Built-in



## Potential LEED Points

### Integrative Process (Possible 2 points)

To support high-performance, cost-effective project outcomes through an early analysis of the interrelationships among systems.

Koncept's LED desktop and task lighting provides finer control over lighting levels in occupied spaces. With personal lighting in place, elimination or downsizing of building lighting systems is possible.

### Interior Lighting (Possible 2 points)

To promote occupants' productivity, comfort and well-being by providing high-quality lighting.

All Koncept's task lighting products provide more than three lighting levels that are easily adjustable by occupants to suit their needs. Furthermore, all Koncept's task lighting products use high quality LED light sources with CRI over 80 and L70 rated lifespan over 50,000 hours. Desktop and task personal lighting also provides the opportunity to reduce overhead lighting.