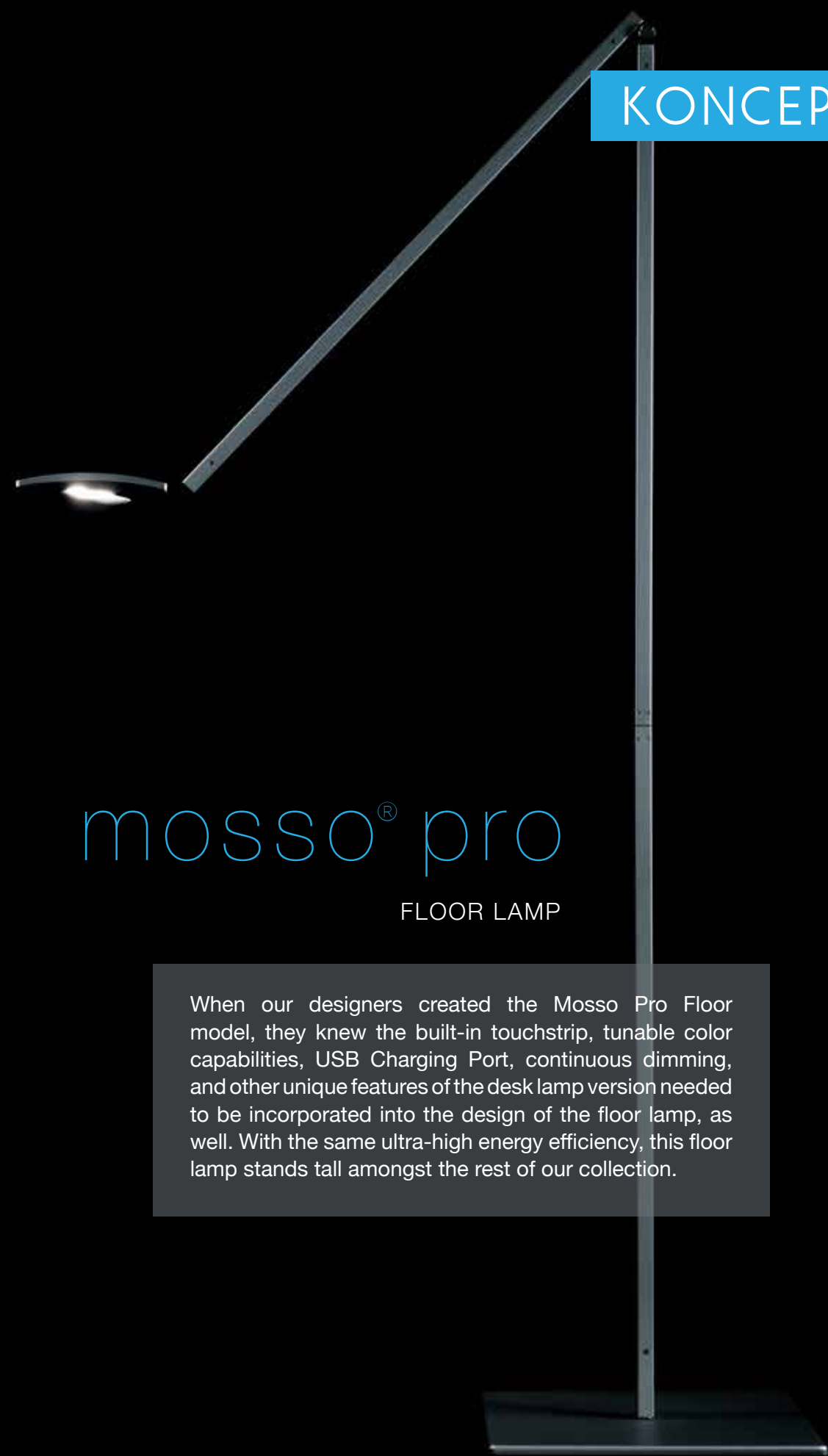


# KONCEPT



## mosso<sup>®</sup> pro FLOOR LAMP

When our designers created the Mosso Pro Floor model, they knew the built-in touchstrip, tunable color capabilities, USB Charging Port, continuous dimming, and other unique features of the desk lamp version needed to be incorporated into the design of the floor lamp, as well. With the same ultra-high energy efficiency, this floor lamp stands tall amongst the rest of our collection.

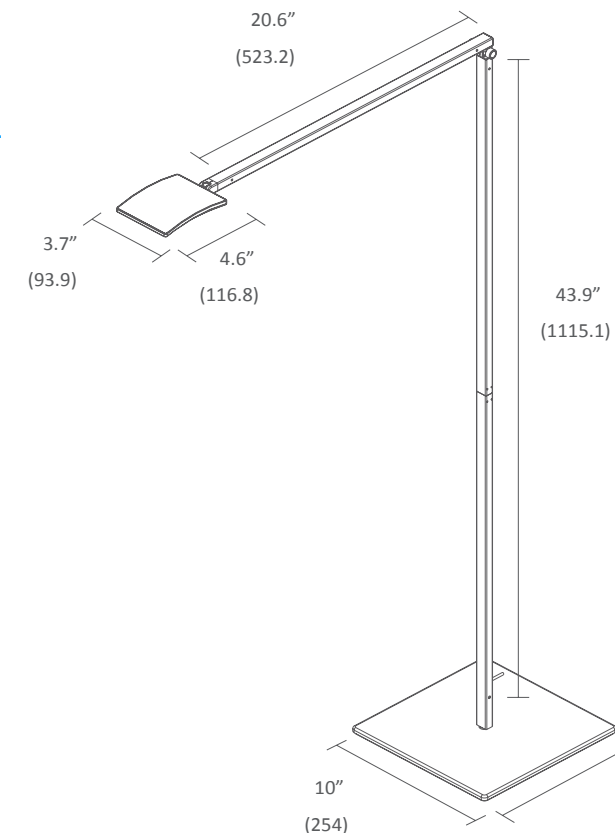
Lumens:	540
Energy Consumption:	5.5 watts
Number of LEDs:	48 LEDs
LED Rated Lifespan:	50,000 hours
Color Temperature:	Variable from 2,700 K to 5,000 K
Color Rendering Index (CRI):	83
Dimmer:	Built-in touchstrip
Brightness Adjustability:	Continuous
Standard Color Finish*:	Metallic Black, Silver, White
Material:	Aluminum/Plastic
Cord Color:	Black
Cord Length:	10'
Transformer (100–240 V; 50/60 Hz):	Included – C-UL-US Certified

\*Custom colors are available at additional cost. Contact Konzept or your sales representative for a quote.

AR2001-\_\_\_-FLR

— MBK = Metallic Black  
— SIL = Silver  
— WHT = White

— FLR = Floor Stand & Base



### Energy & Atmosphere (EA)

*Credit 1.1: Optimize Energy Performance*  
LED lighting to reduce energy consumption.  
(Potential points: 3)

### Innovation In Design (ID)

*Credit 1.1- 1.4: Innovation in Design*  
Mosso<sup>®</sup> Pro Floor delivers an outstanding 99+ lumens per watt. Color temperature is variable from warm (2,700 K) to cool (5,000 K). An intuitive touchstrip allows for easy dimming and on/off.  
(Potential points: 4)

### Materials & Resources (MR)

*Credit 4.1: Recycled Content - 10%*  
Lamps contain parts made out of 10% pre-consumer recycled content.  
(Potential points: 1)  
*Credit 4.2: Recycled Content - 20%*  
Lamps contain parts made out of 20% pre-consumer recycled content.  
(Potential points: 2)

Lamp contains 38% preconsumer recycled material by weight\*  
Aluminum housing is fully recyclable  
All color finishes use water-based paint  
LEDs do not contain mercury

\*in standard configuration (includes transformer and weighted base)