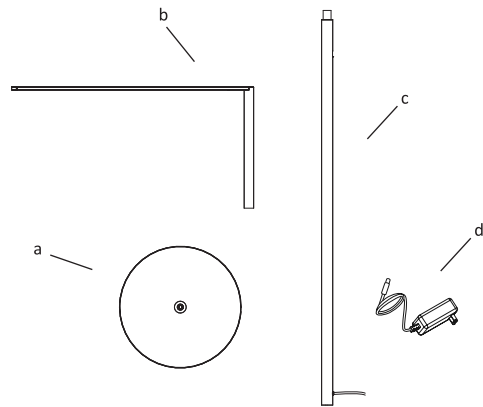


Assembly Instructions



- a. Base
- b. Lamp head
- c. Lamp body
- d. Transformer

