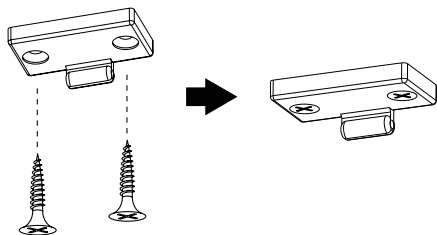


Assembly Instructions (US/Canada)

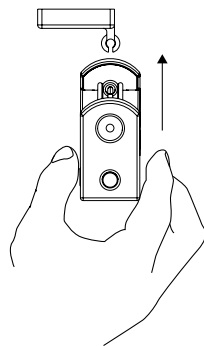
The undercabinet light can be mounted on a wood or steel surface.

Wood surface

- 1 Secure the mounts to the surface using provided screws.

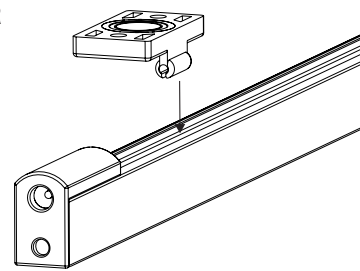


- 2 Snap-fit the light to the mounts.

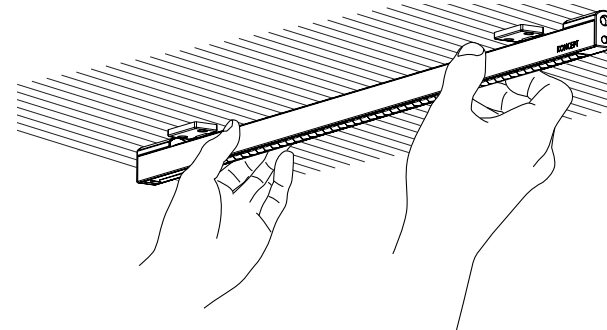


Steel surface

- 1 Snap-fit the mounts to the groove on the back of the light.



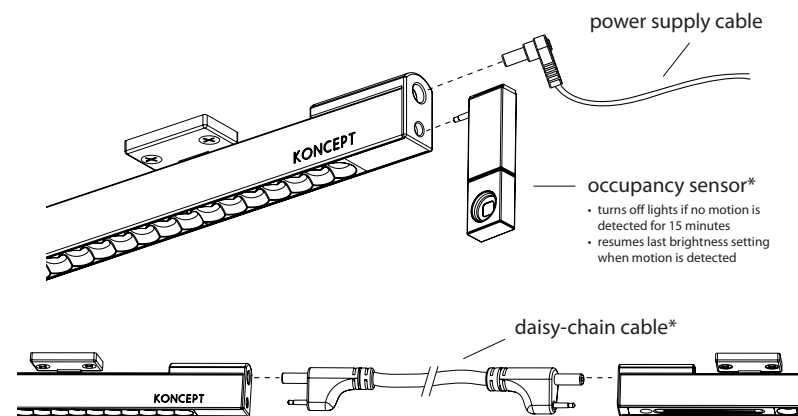
- 2 Attach to a steel surface.



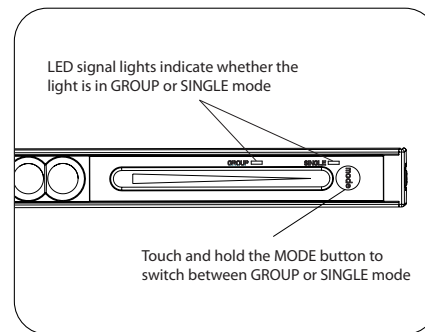
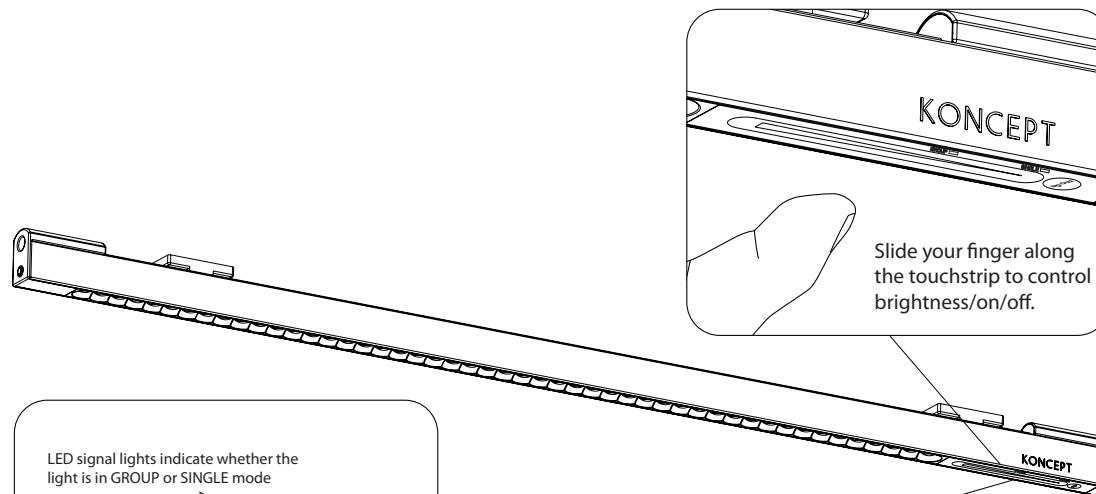
OR

- 3 After the light is mounted, plug the power supply into the large socket at either end of the light.

Optional: Plug a daisy-chain cable into the other end to power additional units. (Requires a power supply of sufficient power output.) Plug in an occupancy sensor* into the small socket at either end to automatically shut off the light(s) when not in use. (Occupancy sensor only works with UCX units in GROUP mode)*



*optional



GROUP mode: Sync'ed brightness levels with all connected UCX's. Controllable by occupancy sensor.
SINGLE mode: Independent of any connected UCX's or sensors.